



Connectors > RF & Coax Connectors > RF Connectors



RF Interface: **SMA**

RF Connector Style: **Plug**

RF Connector Mated Outer Diameter (Approximate): **6.35 mm [.25 in]**

Impedance: **50 Ω**

Cable Type: **RG 188**

Features

Product Type Features

RF Interface	SMA
RF Connector Style	Plug
Connector System	Cable-to-Cable
Sealable	Yes
Connector & Contact Terminates To	Wire & Cable
Connector Seal Type	Gasket

Configuration Features

Port Configuration	Single Port
Number of Positions	1
Number of Coaxial Contacts	1

Electrical Characteristics

Impedance	50 Ω
-----------	------

Body Features

Cable Connector Orientation	Straight
Body Material	Stainless Steel

Body Plating Material	Gold
-----------------------	------

Contact Features

Ferrule Material	Brass
------------------	-------

RF Connector Contact Configuration	Not Captivated
------------------------------------	----------------

Connector Product Type	Connector Assembly
------------------------	--------------------

Ferrule Plating Material	Gold over Copper
--------------------------	------------------

RF Connector Center Contact Plating Material	Gold
--	------

RF Connector Center Contact Material	Beryllium Copper
--------------------------------------	------------------

Termination Features

Termination Method to Wire & Cable	Solder
------------------------------------	--------

Mechanical Attachment

RF Connector Coupling Mechanism	Threaded
---------------------------------	----------

RF Contact Captivation Method	Mechanical
-------------------------------	------------

Detent	Without
--------	---------

Dimensions

Product Length	30.15 mm[1.187 in]
----------------	--------------------

RF Connector Mated Outer Diameter (Approximate)	6.35 mm[.25 in]
---	-----------------

Usage Conditions

Cable Type	RG 188
------------	--------

Operating Temperature Range	-65 – 165 °C[-85 – 329 °F]
-----------------------------	----------------------------

Operation/Application

Operating Frequency	26 GHz
---------------------	--------

Packaging Features

Packaging Method	Package
------------------	---------

Other

Coupling Nut Plating Material	Gold over Nickel
-------------------------------	------------------

Gasket Material	Silicone Rubber
-----------------	-----------------

Coupling Nut Base Material	Stainless Steel
----------------------------	-----------------

Additional Features	Shrink Tubing
---------------------	---------------

Dielectric Material	TFE Fluorocarbon
---------------------	------------------

Product Compliance




[For compliance documentation, visit the product page on TE.com>](#)

EU RoHS Directive 2011/65/EU	Compliant with Exemptions
EU ELV Directive 2000/53/EC	Compliant with Exemptions
China RoHS 2 Directive MIIT Order No 32, 2016	Restricted Materials Above Threshold
EU REACH Regulation (EC) No. 1907/2006	Current ECHA Candidate List: JAN 2019 (197) Candidate List Declared Against: JAN 2019 (197)
Halogen Content	BFR/CFR/PVC Free, but Br/Cl >900 ppm in other sources.
Solder Process Capability	Not applicable for solder process capability

Product Compliance Disclaimer

This information is provided based on reasonable inquiry of our suppliers and represents our current actual knowledge based on the information they provided. This information is subject to change. The part numbers that TE has identified as EU RoHS compliant have a maximum concentration of 0.1% by weight in homogenous materials for lead, hexavalent chromium, mercury, PBB, PBDE, DBP, BBP, DEHP, DIBP, and 0.01% for cadmium, or qualify for an exemption to these limits as defined in the Annexes of Directive 2011/65/EU (RoHS2). Finished electrical and electronic equipment products will be CE marked as required by Directive 2011/65/EU. Components may not be CE marked. Additionally, the part numbers that TE has identified as EU ELV compliant have a maximum concentration of 0.1% by weight in homogenous materials for lead, hexavalent chromium, and mercury, and 0.01% for cadmium, or qualify for an exemption to these limits as defined in the Annexes of Directive 2000/53/EC (ELV). Regarding the REACH Regulations, TE's information on SVHC in articles for this part number is still based on the European Chemical Agency (ECHA) 'Guidance on requirements for substances in articles' (Version: 2, April 2011), applying the 0.1% weight on weight concentration threshold at the finished product level. TE is aware of the European Court of Justice ruling of September 10th, 2015 also known as O5A (Once An Article Always An Article) stating that, in case of 'complex object', the threshold for a SVHC must be applied to both the product as a whole and simultaneously to each of the articles forming part of its composition. TE has evaluated this ruling based on the new ECHA "Guidance on requirements for substances in articles" (June 2017, version 4.0) and will be updating its statements accordingly.

Compatible Parts

		
<p>In-Series Adapters(18)</p>	<p>RF Connector Launchers(2)</p>	<p>RF Connectors(201)</p>

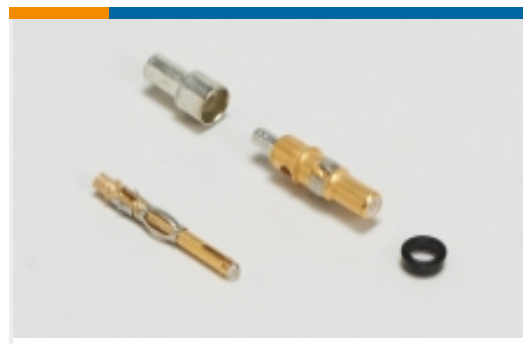
Also in the Series | [AMP SMA](#)



Battery Holders(1)



Between Series Adapters(4)



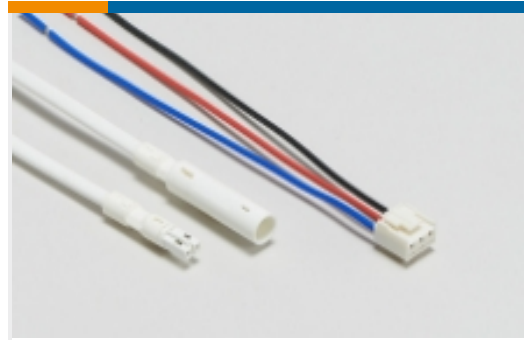
Coax Contacts(1)



Coax Terminators(1)



In-Series Adapters(36)



Power Cable Assemblies(1)



Rack & Panel Ferrules & Inserts(1)



RF Cable Assemblies(20)



RF Connector Hardware(3)



RF Connector Launchers (14)



RF Connector Shrouds(10)



RF Connectors(532)

Also in the Series | CGS SM



Battery Holders(1)



Coax Contacts(1)



CompactFlash Connectors (1)



Expanded Beam Fiber Optics(9)



In-Series Adapters(4)



LC Connectors(2)



Power Cable Assemblies(2)



RF Connector Hardware(2)



RF Connector Launchers(3)



RF Connector Shrouds(10)



RF Connectors(116)



RJ14 Connectors(1)



RJ22 Connectors(1)



RJ25 Connectors(1)



RJ45 Connectors(3)



SD Card Connectors(1)

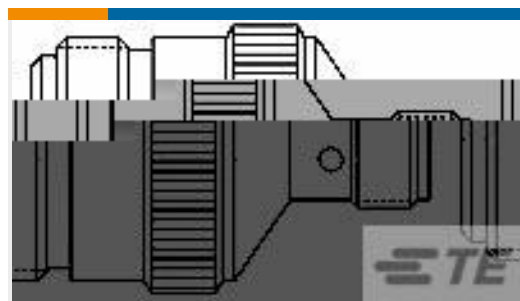


Surface Mount Resistors
(369)

Customers Also Bought



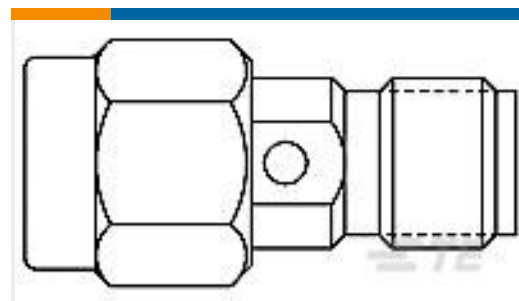
TE Part #1051644-1
2031 5003 02



TE Part #1057341-1
3080 2240 00



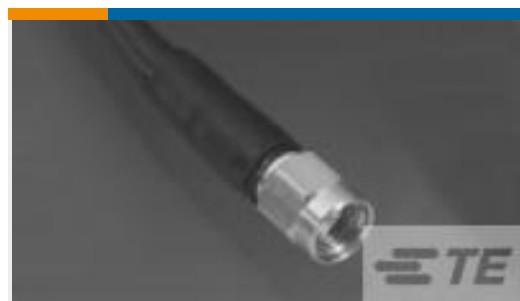
TE Part #1218124-4
37 POS,ASSY,PLUG,LOW
PROF,109



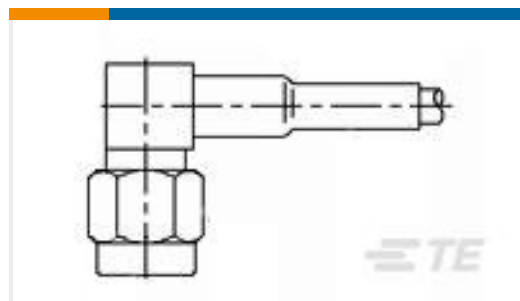
TE Part #1054426-1
2082 5133 02



TE Part #1057343-1
3080 2242 00



TE Part #1051638-1
2031 5002 00



TE Part #1052066-1
2037 5006 00,SMA RA
CABLE PLUG



TE Part #1055064-1
2088 0000 00



TE Part #1054868-1
2084 0000 00



TE Part #1058117-1
3284 2240 00

Documents

Product Drawings

[2031 5003 00](#)

English

CAD Files

[3D PDF](#)

3D

Customer View Model

[ENG_CVM_CVM_1051643-1_C.2d_dxf.zip](#)

English

Customer View Model

[ENG_CVM_CVM_1051643-1_C.3d_igs.zip](#)

English

Customer View Model

[ENG_CVM_CVM_1051643-1_C.3d_stp.zip](#)

English

Product Environmental Compliance

[REACH Substance Communication Document](#)

English

Instruction Sheets

[Instruction Sheet \(U.S.\)](#)

English

[OSM Staight Cable Plug Solder Attachment 1056386-1, 1051643-1, 1051644-1, 1328215-1, 1063854-1, and 1069218-1](#)

English