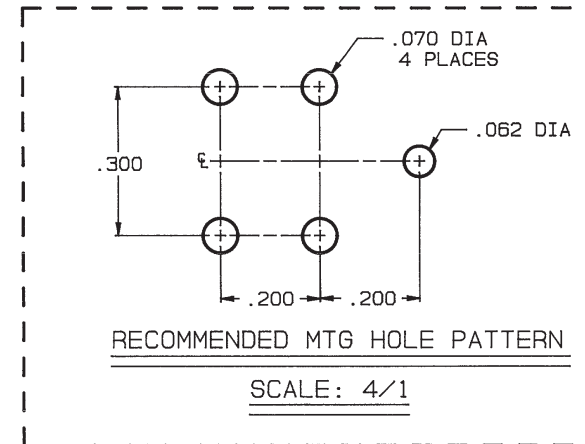
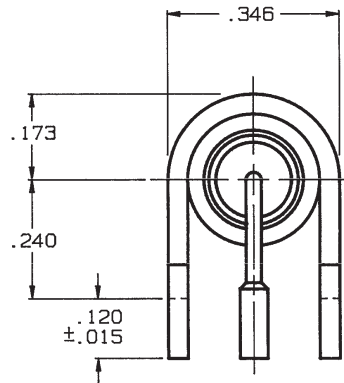
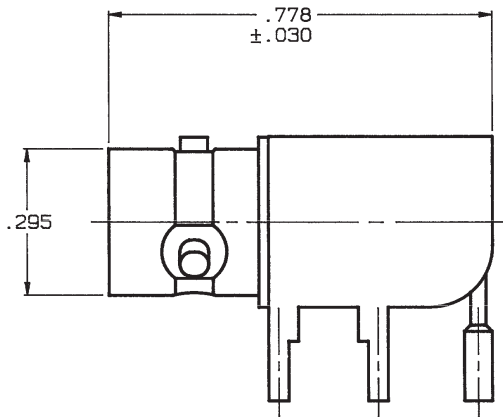


DASH NO	MODEL NO
-1	CBJR50
-2	CBJR50FL
-3	CBJR350

DISK # C11 DWG SIZE B DATA CONTAINED IN THIS DOCUMENT IS PROPRIETARY TO TROMPETER ELECTRONICS INC. AND SHALL NOT BE DISCLOSED, COPIED OR USED FOR PROCUREMENT OR MANUFACTURE WITHOUT EXPRESS WRITTEN PERMISSION.

REVISIONS			1-0068		SH 1
REV	EO	DESCRIPTION	DWN	APPROVED	DATE
A	9957	NOTE 3 WAS "CONCENTRIC TWINAX/TRIAX"; DWG NO WAS 1000-0068 & REDRAWN	J S	<i>BM; KJ</i>	10/28/92

INCH	MM
.005	0.13
.015	0.38
.030	0.76
.062	1.57
.120	3.05
.173	4.39
.200	5.08
.240	6.10
.295	7.49
.300	7.62
.346	8.79
.480	12.19
.778	19.76



-1 SHOWN

4. VERTICAL CLEARANCE BETWEEN CIRCUIT BOARDS (INCLUDING MATING CONNECTOR) .480 MINIMUM
3. CONCENTRIC MINIATURE COAXIAL (50 OHM) RIGHT ANGLE CIRCUIT BOARD MOUNT RECEPTACLE
2. FINISH: TFS-1A. (NICKEL)
1. ALL DIM ARE IN INCHES

QTY	DESCRIPTION		PART NUMBER	ITEM
TOL UNLESS SPECIFIED	TROMPETER ELECTRONICS, INC.		CBJR50/CBJR50FL/ CBJR350	
.XX ±				
.XXX ± .005				
.XXXX ±				
ANGLES ±				
DWN	J S	10/8/92	MATERIAL	CODE IDENT
CHK	<i>BM</i>	<i>10/13/92</i>		14949
ENGR			DRAWING NO.	REV
			1-0068	A
NEXT ASSY	APPR	<i>KJ</i>	SCALE 4/1	DATE 8/4/87
		<i>10/27/92</i>		SHEET 1 OF 2