



# Series 805 Mighty Mouse Triple-Start ACME Thread Square Flange Jam Nut PCB Receptacle

## 805-067 Ordering Information



**Series 805 Backpotted Receptacle** features a choice of 304L stainless steel or aluminum alloy shells with stand off, liquid crystal insulator and gold plated contact copper alloy non-removable contacts.

**Popular Jam Nut Mount Style** Mates with all triple start threaded high density plug connectors with the same polarization and opposite contact gender.

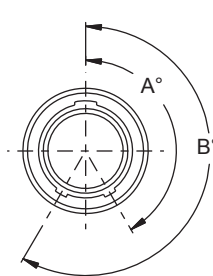
**PC Tail or Solder Cup** for attachment to flexible or rigid circuits or rigid boards.

### How To Order

Sample Part Number	805-067	-07	M	8-23	P	A
Series	805-067 = PCB Receptacle with Solder Cup or PC tail Contacts					
Shell Style	-07 = Jam Nut Rear Panel Mount -17 = Jam Nut Mount, Self-Locking Heli-Coils					
Shell Material and Finish	C = Aluminum / Black Anodize (Non-Conductive); RoHS Compliant M = Aluminum / Electroless Nickel; RoHS Compliant MT = Aluminum / Nickel-PTFE RoHS Compliant NF = Aluminum / Cadmium with Olive Drab Chromate ZNU = Aluminum / Zinc-Nickel with Black Chromate Z1 = Stainless Steel / Passivated; RoHS Compliant					
Shell Size - Insert Arrangement	See Contact Arrangements Page H-2					
Contact Type	P = Pin, PC Tail S = Socket, PC Tail					
Shell Key Positions (See Table I)	A = Normal B = Pos. B C = Pos. C D = Pos. D E = Pos. E F = Pos. F					

Table I: Key Positions

Key Position	Key Rotation	
	A	B
Normal (A)	150°	210°
B	75°	210°
C	95°	230°
D	140°	275°
E	75°	275°
F	95°	210°



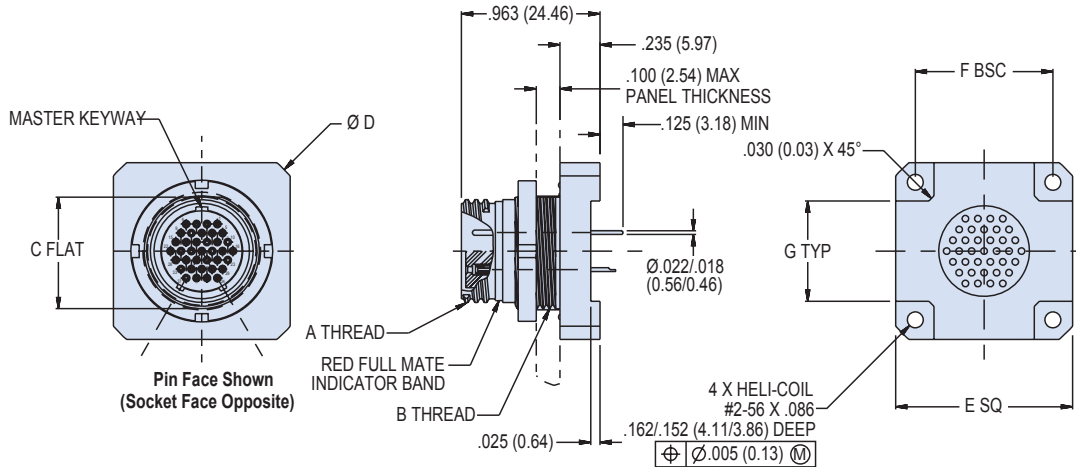
Dimensions in Inches (millimeters) are subject to change without notice.

Series 805 Mighty Mouse Triple-Start ACME Thread  
 Square Flange Jam Nut PCB Receptacle  
 805-067 Shell Style -07 Dimensions



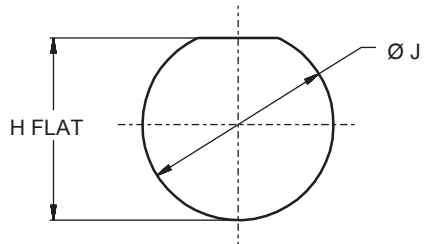
Series 805

**Jam nut, rear panel mount receptacle - shell style 07**



Dimensions												
Shell Size	A Thread	B Thread	C Flat		Ø D		E SQ		F BSC		G Typ	
			In.	mm.	In.	mm.	In.	mm.	In.	mm.	In.	mm.
8	.5000-1P-.3L-TS	.5625-28 UNEF-2A	.535	13.59	.920	23.37	.729	18.52	.496	12.60	.276	7.01
9	.5625-1P-.3L-TS	.6875-28 UN-2A	.661	16.79	1.110	28.19	.859	15.93	.627	15.93	.407	10.34
10	.6250-1P-.3L-TS	.6875-28 UN-2A	.661	16.79	1.110	28.19	.859	15.93	.627	15.93	.407	10.34
11	.6875-1P-.3L-TS	.7500-28 UN-2A	.721	18.31	1.200	30.48	.930	23.62	.698	17.73	.478	12.14
12	.7500-1P-.3L-TS	.8125-28 UN-2A	.784	19.91	1.370	34.80	1.044	26.52	.812	20.62	.592	15.04
13	.8125-1P-.3L-TS	.8750-28 UN-2A	.843	21.41	1.420	36.07	1.085	27.56	.853	21.67	.633	16.08
15	.9375-1P-.3L-TS	1.0000-28 UN-2A	.970	24.64	1.560	39.62	1.175	29.85	.943	23.95	.723	18.36
18	1.1250-1P-.3L-TS	1.1875-28 UN-2A	1.147	29.13	1.800	45.72	1.351	34.32	1.119	28.42	.899	22.83
19	1.1875-1P-.3L-TS	1.2500-28 UN-2A	1.221	31.01	1.880	47.75	1.407	35.74	1.175	29.85	.955	24.26
21	1.3125-1P-.3L-TS	1.3750-28 UN-2A	1.350	34.29	2.090	53.09	1.550	39.37	1.318	33.48	1.098	27.89
23	1.4375-1P-.3L-TS	1.5000-28 UN-2A	1.470	37.34	2.270	57.66	1.680	42.67	1.448	36.78	1.228	31.19

Jam Nut Panel Cutout				
Shell Size	H Flat		Ø J	
	In.	mm.	In.	mm.
8	.545/.541	13.84/13.74	.573	14.55
9	.671/.667	17.04/16.94	.698	17.73
10	.671/.667	17.04/16.94	.698	17.73
11	.731/.727	18.57/18.47	.760	19.30
12	.794/.790	20.17/20.07	.823	20.90
13	.853/.849	21.67/21.56	.885	22.48
15	.980/.976	24.89/24.79	1.010	25.65
18	1.157/1.153	29.39/29.29	1.198	30.43
19	1.231/1.227	31.27/31.17	1.260	32.00
21	1.360/1.357	34.54/34.47	1.385	35.18
23	1.480/1.476	37.59/37.49	1.510	38.35



Dimensions in Inches (millimeters) are subject to change without notice.

