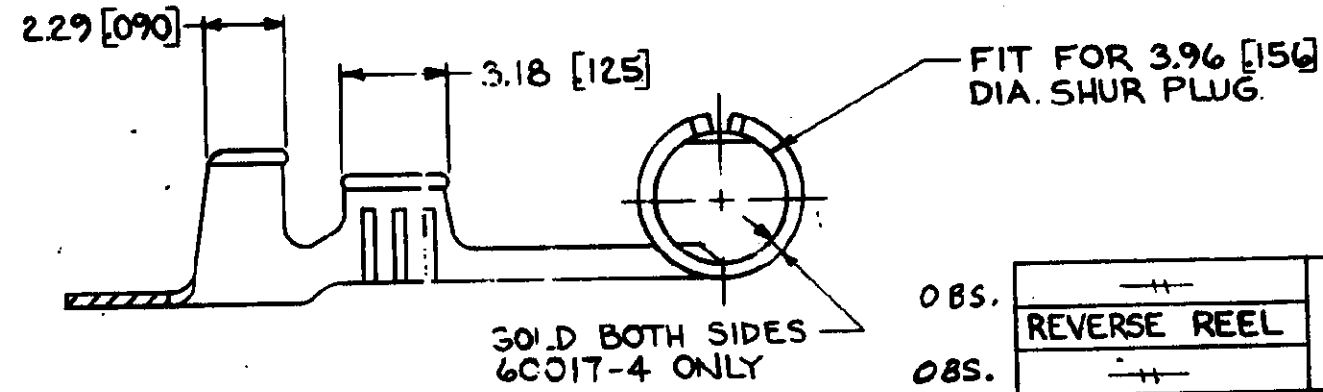
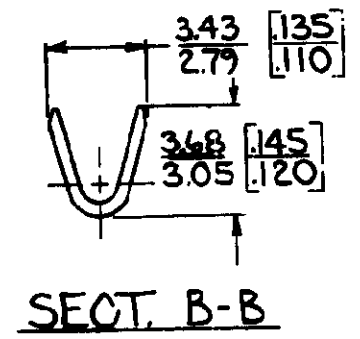
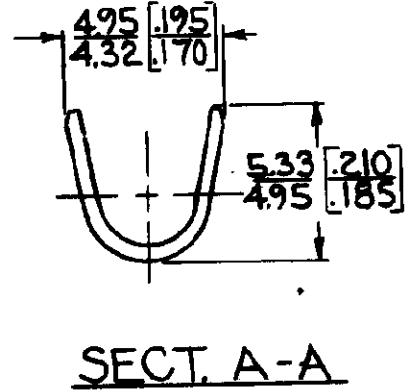
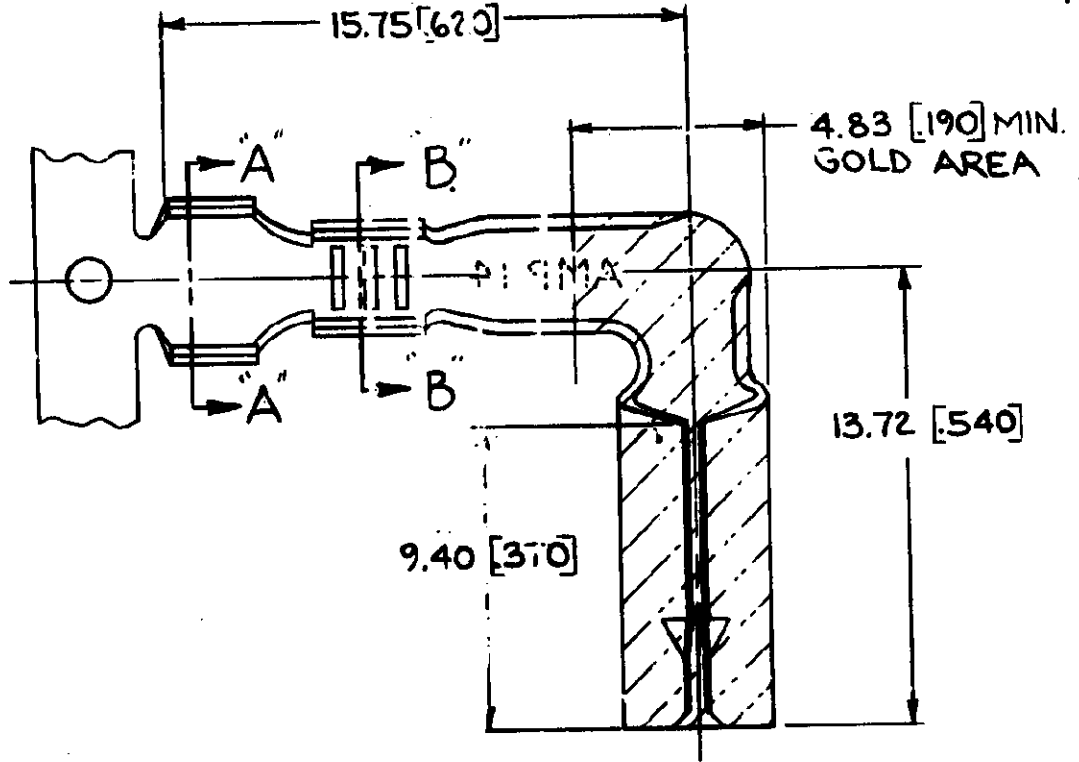


DRAWING MADE IN THIRD ANGLE PROJECTION

© COPYRIGHT 1980 BY AMP INCORPORATED, HARRISBURG, PA.  
 ALL INTERNATIONAL RIGHTS RESERVED. AMP INCORPORATED PRODUCTS  
 COVERED BY U. S. AND FOREIGN PATENTS AND/OR PATENTS PENDING.

LOG/AF DIST 50

REVISIONS					
NO	ZONE	LTR	DESCRIPTION	DATE	APPROVED
✓		G	REVISED & REDRAWN	5-19-80	ELS
✓		H	OBS.-1 PER AF-2685	5-20-88	TMS/JT
✓		J	OBS.-4 PER AF-2686	9-14-88	SYQ/20



NOTE:  
 1. CONTINUOUS STRIP ON REELS  
 2. DIMS. IN BRACKETS ARE IN INCHES.

OBS.	REVERSE REEL	2.54 - 3.56 [100 - .140]	0.5 - 1.4 mm <sup>2</sup> [20 - 16]	GOLD OVER NI.	60017-4
OBS.				NONE	60017-3
	REMARKS	INSULATION RANGE	WIRE RANGE	FINISH	PART NO

**METRIC**

UNLESS OTHERWISE SPECIFIED DIMENSIONS ARE IN MILLIMETERS TOLERANCES ON: DECIMALS ± 0.38 [015] ANGLES	CONTRACT NO	AMP   AMP INCORPORATED Harrisburg, Pa.	
	DR. <i>R. J. Longera</i> 5-19-80	NAME SHUR PLUG RECEPTACLE (RIGHT ANGLE)	
MATERIAL 0.41 [016] THK. BRASS	CHK <i>G. Yelton</i> 5-20-80	SIZE <b>B</b>	CODE IDENT NO <b>00779</b>
FINISH SEE TABLE	APPD <i>[Signature]</i> 5-20-80	DRAWING NO <b>60017</b>	SHEET
	DSGN APPD	SCALE <i>1/2</i>	
	J. HER APPD		

**CUSTOMER DRAWING**