

Helping Customers Innovate, Improve & Grow



**Features**

- EFC Standard
- Hermetic
- Frequency Range: 2 MHz to 200 MHz
- Previous Model: C2400, TQDILTC; 979; 979W, 959; 959W, TC-400

**Applications**

- PCS Base Stations
- Land Mobile Radio
- Cellular Telephony
- Radio in the Local Loop

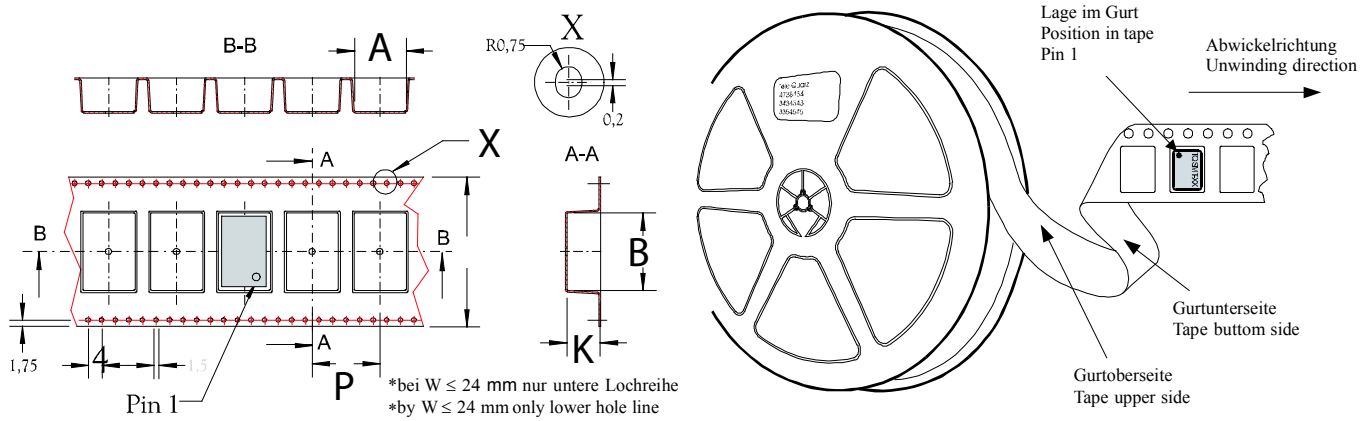
**Performance Specifications**

Parameter	Min	Typ	Max	Units	Condition
<b>Frequency Stabilities<sup>1</sup></b>					
vs. operating temperature range (referenced to +25°C)	-2.5		+2.5	ppm	-40... +85°C
	-2.0		+2.0	ppm	-40... +85°C
	-1.5		+1.5	ppm	-40... +85°C
	-1.0		+1.0	ppm	-40... +85°C
	-2.0		+2.0	ppm	-20... +70°C
	-1.5		+1.5	ppm	-20... +70°C
	-1.0		+1.0	ppm	-20... +70°C
	-1.5		+1.5	ppm	0... +70°C
	-1.0		+1.0	ppm	0... +70°C
	-1.5		+1.5	ppm	0... +50°C
	-1.0		+1.0	ppm	0... +50°C
	-0.5		+0.5	ppm	0... +50°C
Initial Tolerance	-2.5		+2.5	ppm	at time of shipment, nominal EFC Vs ± 5% Load ± 10%
vs. supply voltage change	-0.2		+0.2	ppm	
vs. load change	-0.2		+0.2	ppm	
vs. aging		1.0		ppm/yr	
<b>Supply Voltage (Vs)</b>					
Supply voltage	3.135	3.3	3.465	VDC	
Supply voltage	4.75	5.0	5.25	VDC	
Current consumption			15	mA	@ +25°C & 3.3VDC & clipped sinewave, sine
			50	mA	@ +25°C & 3.3VDC & CMOS
			18	mA	@ +25°C & 5.0VDC & clipped sinewave, sine
			20	mA	@ +25°C & 5.0VDC & PECL
			50	mA	@ +25°C & 5.0VDC & CMOS
<b>RF Output</b>					

## Performance Specifications

Parameter	Min	Typ	Max	Units	Condition
Signal	HCMOS				
Load	13.5	15	16.5	pF	
Signal Level (Vol)			+0.5 +0.3	V	with Vs=5.0V and 15pF load with Vs=3.3V and 15pF load
Signal Level (Voh)	4.5 3.0			V	with Vs=5.0V and 15pF load with Vs=3.3V and 15pF load
Duty cycle	40	50	60	%	@ (Voh-Vol)/2
Signal	Clipped Sinewave				
Load R	9	10	11	kohm	
C	9	10	11	pF	
Output Power	0.7			Vpp	@ 10Kohm  10pF
Signal	PECL				5 pin dip
Load		50		ohm	to Vcc -2V
Signal Level (Vol)			Vcc-1.6	V	
Signal Level (Voh)	Vdd-1.04			V	
Duty cycle	40		60	%	
Rise/Fall Time			3	ns	
Signal	Sinewave				
Load		50		ohm	
Output Power	0		6	dBm	
Harmonics / sub-harmonics >100MHz			-20	dBc	
Spurious			-60	dBc	
<b>Frequency Tuning (EFC)</b>					
Tuning Range	Fixed Frequency				Initial Accuracy ±2.5 ppm @ +25°C
Tuning Range	±8.0	±12.0	±20.0	ppm	
Linearity			10	%	
Tuning Slope	Positive				
Control Voltage Range	0.3 0.5	1.65 2.5	3.0 4.5	VDC VDC	with Vs=3.3VDC with Vs=5.0VDC
Freq. control input impedance	10			kohm	
<b>Additional Parameters<sup>1</sup></b>					
Phase Noise <sup>3</sup> (@ 40 MHz)		-90 -120 -140 -150		dBc/Hz dBc/Hz dBc/Hz dBc/Hz	10 Hz 100 Hz 1 kHz 10 kHz
Phase Noise <sup>3</sup> (@ 100 MHz)		-60 -95 -125 -135 -150		dBc/Hz dBc/Hz dBc/hz dBc/Hz dBc/Hz	10 Hz 100 Hz 1 kHz 10 kHz 100 kHz
Weight			6.0	g	
Processing & Packing					Handling & processing note
<b>Absolute Maximum Ratings</b>					
Supply voltage (Vs)			6.0	V	
Control Voltage	0		Vs	V	
Maximum output load @ CMOS			50	pF	

## Standard Shipping Method

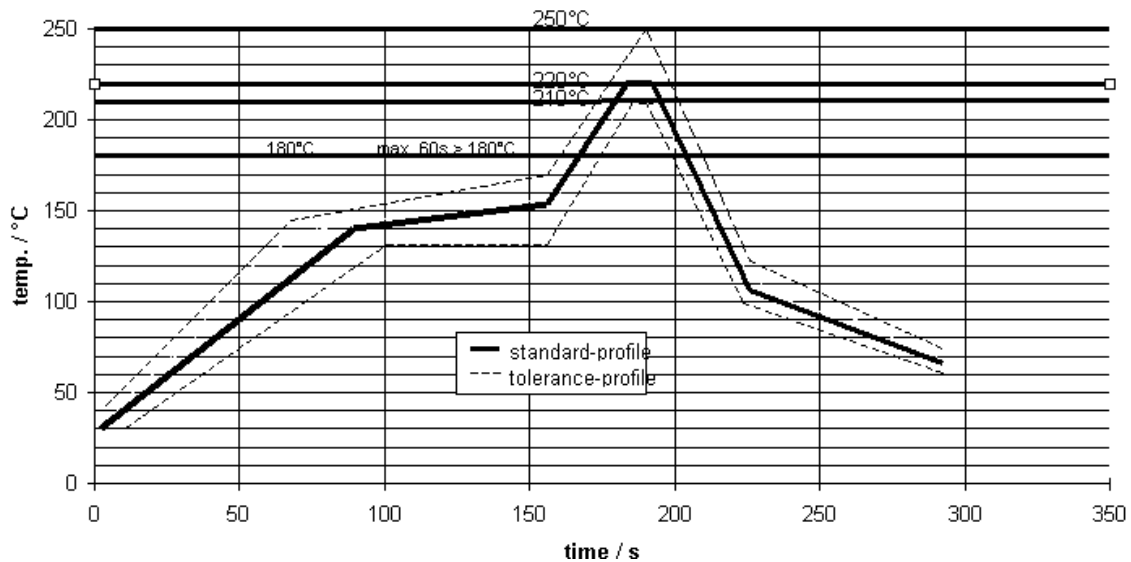


Production tolerance complying DIN IEC 286-3

Enclosure Type	Tape width W [mm]	Quantity per meter	Quantity per reel	Dimension P
Type B	44	50	300	20
Type C	44	50	300	20

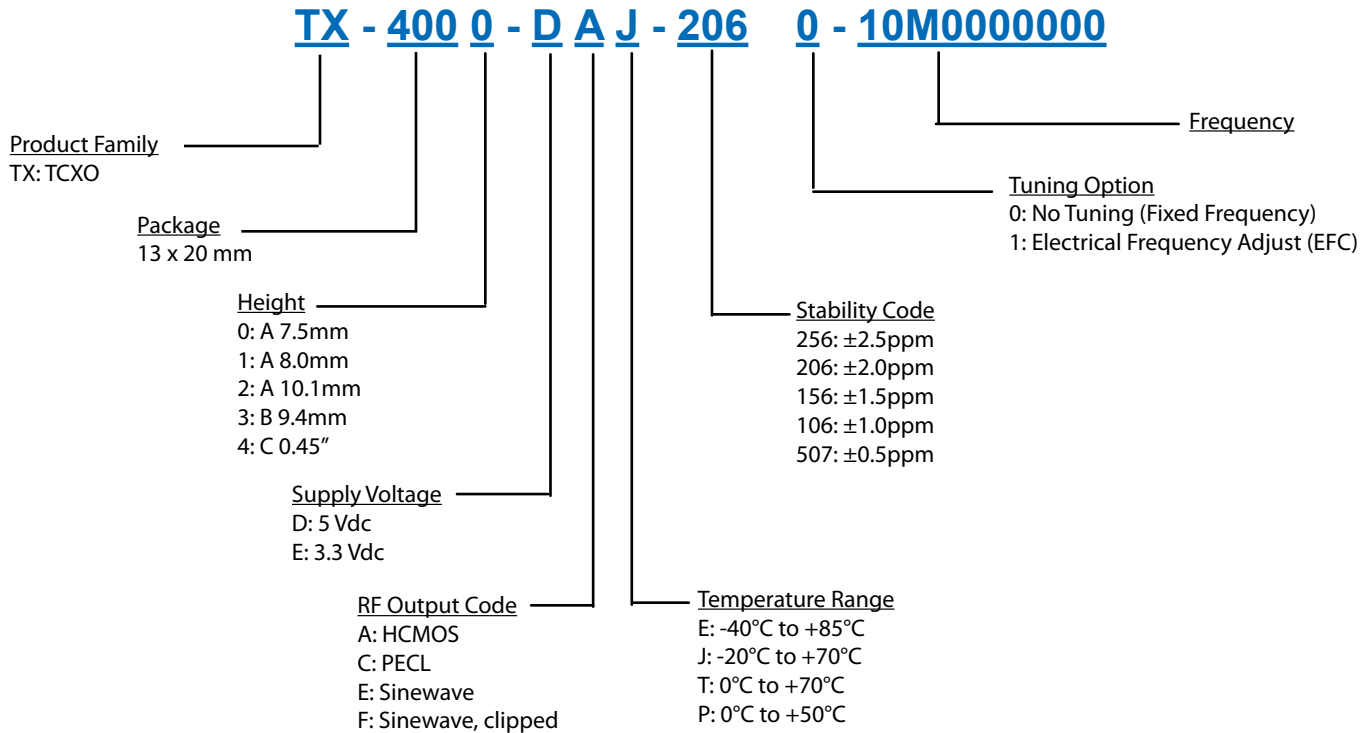
## Recommended Reflow Profile

standard-reflow-profile for SMD-oscillators





## Ordering Information



### Notes:

1. Contact factory for improved stabilities or additional product options. Not all options and codes are available at all frequencies.
2. Unless other stated all values are valid after warm-up time and refer to typical conditions for supply voltage, frequency control voltage, load, temperature (25°C).
3. Phase noise degrades with increasing output frequency.
4. Subject to technical modification.
5. Contact factory for availability.

## For Additional Information, Please Contact

### USA:

Vectron International  
267 Lowell Road  
Hudson, NH 03051  
Tel: 1.888.328.7661  
Fax: 1.888.329.8328

### Europe:

Vectron International  
Landstrasse, D-74924  
Neckarbischofsheim, Germany  
Tel: +49 (0) 3328.4784.17  
Fax: +49 (0) 3328.4784.30

### Asia:

Vectron International  
1F-2F, No 8 Workshop, No 308 Fenju Road  
WaiGaoQiao Free Trade Zone  
Pudong, Shanghai, China 200131  
Tel: 86.21.5048.0777  
Fax: 86.21.5048.1881

### Disclaimer

Vectron International reserves the right to make changes to the product(s) and or information contained herein without notice. No liability is assumed as a result of their use or application. No rights under any patent accompany the sale of any such product(s) or information.

Rev: 02/22/2010 dab