

PHYSICAL DIMENSIONS:

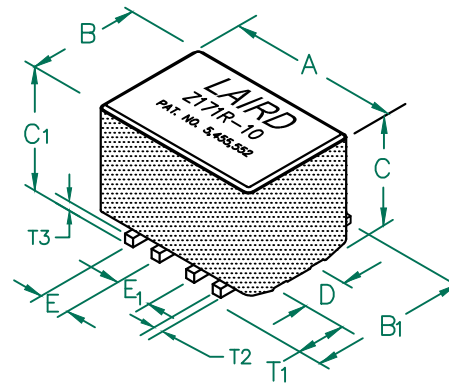
A	14.48 [.570]	± 0.23 [.009]
B	10.03 [.395]	± 0.15 [.006]
B ₁	11.05 [.435]	MAX
C	9.32 [.367]	± 0.15 [.006]
C ₁	10.49 [.413]	MAX.
D	4.06 [.160]	± 0.13 [.005]
E	2.54 [.100]	± 0.13 [.005]
E ₁	3.43 [.135]	± 0.13 [.005]

WIRE:

T ₁	3.56 [.140]	± 0.25 [.010]
T ₂	0.76 [.030]	TYP.
T ₃	0.76 [.030]	TYP.

CM5740Z171R-10

UNCONTROLLED DOCUMENT

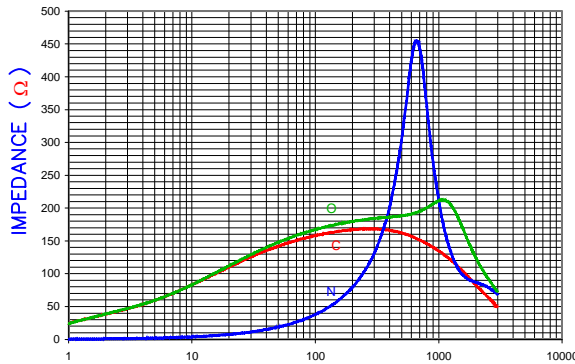


ELECTRICAL CHARACTERISTICS:		
Z @ 100MHz (Ω)	DCR (Ω)	Rated Current
Nominal	170	
Minimum	128	
Maximum	-	0.001 20,000 mA

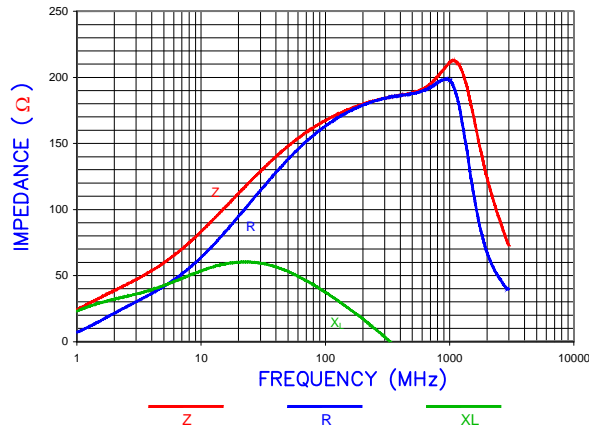
NOTES: UNLESS OTHERWISE SPECIFIED

1. TAPED AND REELED per CURRENT EIA SPECIFICATIONS 13" REELS, 375 PCS/REEL.
2. COMPONENTS SHOULD BE ADEQUATELY PREHEATED BEFORE SOLDERING.
3. REF. CARRIER TAPE SPECIFICATION CART5740-6P.
4. TERMINATION FINISH IS 100% TIN.
5. THIS PART HAS NO PIN POLARITY.
6. OPERATION TEMPERATURE (INCLUDING SELF-HEATING): -40 ~ +125°C.

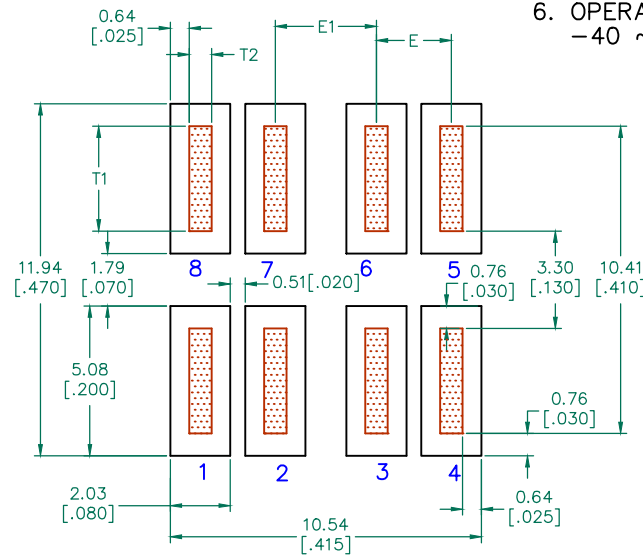
Z vs. FREQUENCY (C,O,N)



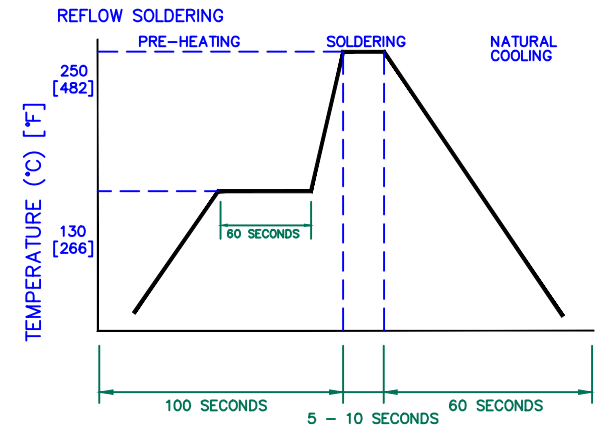
Z, R, XL vs. FREQUENCY



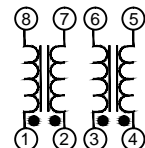
LAND PATTERNS FOR REFLOW SOLDERING



RECOMMENDED SOLDERING CONDITIONS



EQUIVALENT CIRCUIT NO POLARITY



DIMENSIONS ARE IN mm (INCHES).				This print is the property of Laird Tech. and is loaned in confidence subject to return upon request and with the understanding that no copies shall be made without the written consent of Laird Tech. All rights to design or invention are reserved.		
D	ADD NOTE 6	08/30/12	QIU	PROJECT/PART NUMBER:	REV	PART TYPE:
C	UPDATE COMPANY LOGO & KAPTON LABEL ADD EQUIVALENT CIRCUIT	11/12/08	JRK	CM5740Z171R-10	D	ASSEMBLY
B	UPDATE COMPANY LOGO	01/08/08	JRK	DATE: 06/11/04	SCALE: NTS	SHEET: 1 of 2
A	ORIGINAL DRAFT	06/11/04	JRK	CAD #	TOOL #	
REV	DESCRIPTION	DATE	INT	CM5740Z171R-10-D-1	H0570	

