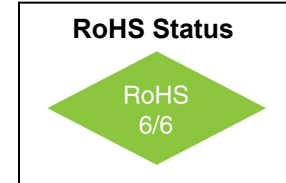


VFHS170
XO Low Jitter 5.0V
12.7 x 20.35mm HCMOS
500kHz - 100MHz

Features

- 500kHz to 100MHz frequency range
- < 1ps jitter
- Tristate option available



Electrical Specifications

Parameter	Symbol	Condition	Min	Typ	Max	Unit	Note	
Frequency Range	F		0.5		100	MHz		
Frequency Stability	$\Delta F/F$	Vs. Operating Temperature & Initial Calibration			± 100	ppm	See "How to Order" for more options	
Operating Temperature	T		0 -40 -55		+70 +85 +125	°C	See "How to Order" for more options	
Output		HCMOS						
Supply Voltage	V_{CC}		4.50	5.0	5.50	V		
Supply Current	I_{CC}	unloaded	30	40	50	mA	Typical current is load and frequency dependent	
Load		HCMOS (10pF typ) or 10 LSTTL						
Duty Cycle		@ 50% V_{CC}	40	50	60	%	See "How to Order" for more options	
Rise/Fall Time	T_r/T_f	20% to 80%	8	10	15	ns		
Logic "1" Level	V_{OH}	10 pF load	0.9 V_{CC}			V		
Logic "0" Level	V_{OL}				0.1 V_{CC}			
Start Up Time	T_S			2	10	ns		
Phase Jitter		1σ			1	ps		
Enable Time					100	ns		

VFHS170
XO Low Jitter 5.0V
12.7 x 20.35mm HCMOS
500kHz - 100MHz

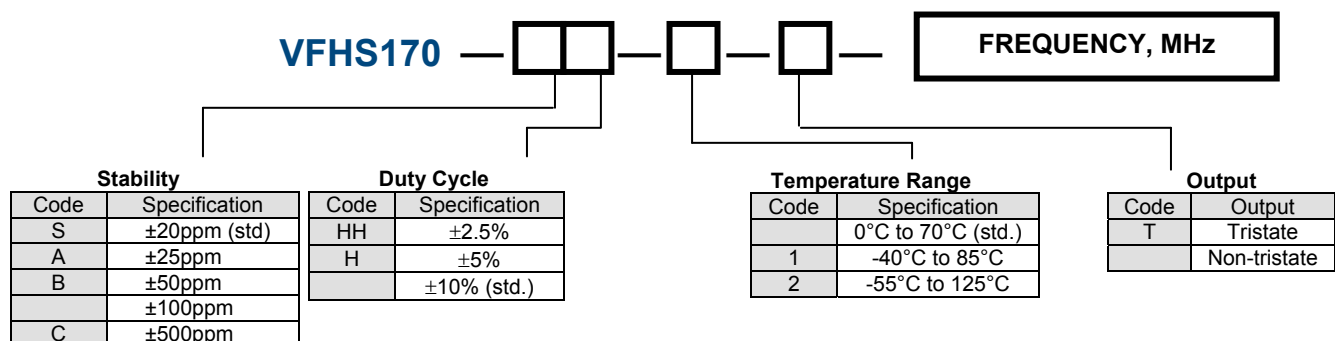
Absolute Maximum Ratings

Parameter	Symbol	Condition	Min	Typ	Max	Unit	Note
Input Break Down Voltage	V _{CC}		-0.5		7	V	
Storage Temperature	T _S		-55		+125	°C	

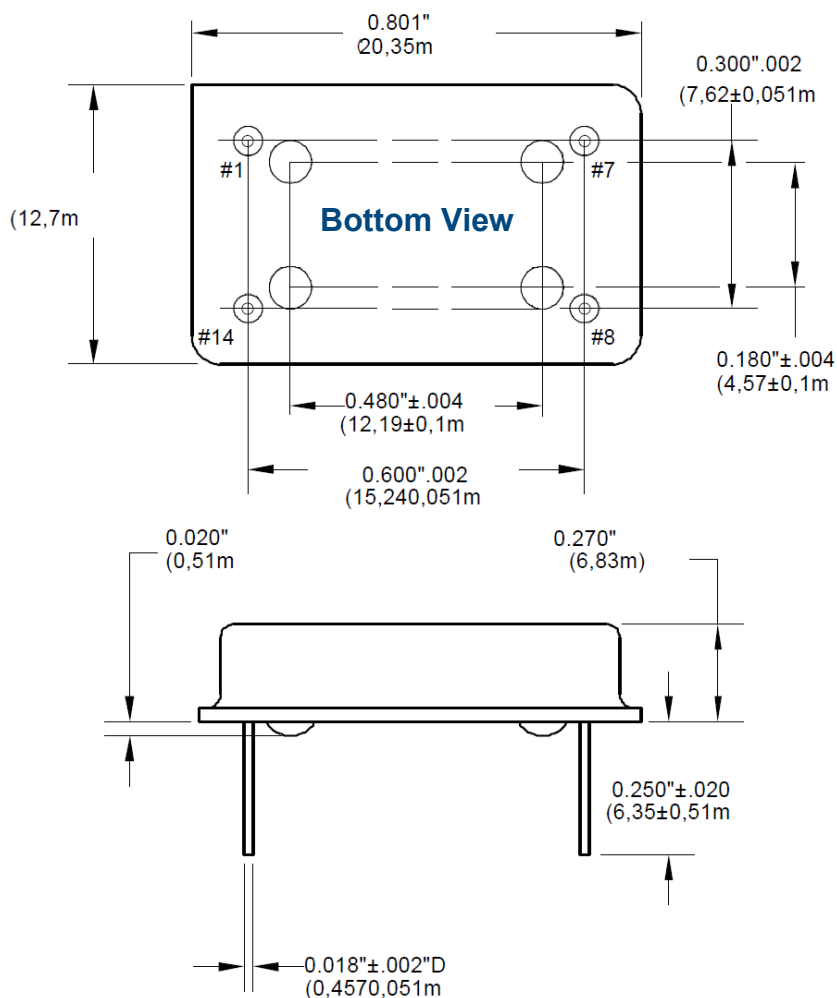
Environmental and Mechanical Specifications

Parameter	Specification
Mechanical Shock	MIL-STD 202, Method 213, Condition E
Thermal Shock	MIL-STD 883, Method 1011, Condition A
Vibration	MIL-STD 883, Method 2007, Condition A
Soldering Conditions	260°C for 10s max.
Hermetic Seal	Leak rate less than 5x10 ⁻⁸ atm.ccm/s of helium
Marking	Epoxy ink or laser engraved

How to Order



VFHS170
XO Low Jitter 5.0V
12.7 x 20.35mm HCMOS
500kHz - 100MHz



Pin #	Connection
1	Tristate or N/C
7	Case, GND
8	Output
14	Supply Voltage (V _{CC})

MARKING SPECIFICATIONS

