

4096x4 Diagnostic Registered PROM *63D1641* Asynchronous Enable

53D1641 63D1641

Patent Pending

Features/Benefits

- Asynchronous output enable
- Provides system diagnostic testing for system controllability and observability
- Shadow register eliminates shifting hazards
- Edge-triggered "D" registers simplifies system timing
- Casadable for wide control words used in microprogramming
- 24-pin SKINNYDIP® saves space
- 24-mA output drive capability
- Replaces embedded diagnostic code

Applications

- Microprogram control store with built-in system diagnostic testing
- Serial character generator
- Serial code converter
- Parallel in/serial out memory
- Cost-effective board testing

Description

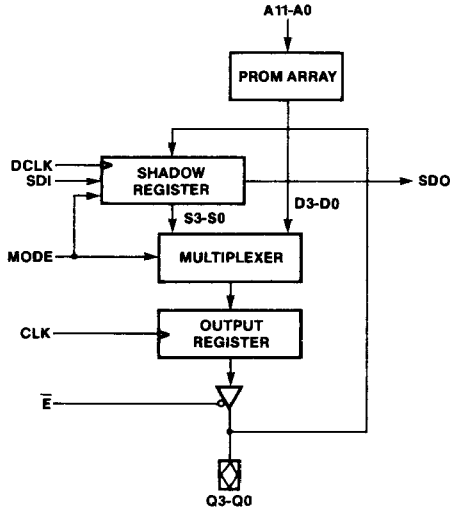
The 53/63D1641 is a 4Kx4 PROM with registered three-state outputs and a shadow register for diagnostic capabilities.

Shadow register diagnostics allow observation and control of the system without introducing intermediate illegal states. The output register, which can receive parallel data from either the PROM array or the shadow register, is loaded on the rising edge of CLK. The shadow register, which can receive parallel data from the output register or serial data from SDI, is loaded on the rising edge of DCLK. When the output drivers are disabled, the shadow register receives its parallel data from the output bus. During diagnostics, data loaded into the output register from the PROM array can be parallel-loaded into the shadow register and serially shifted out through SDO, allowing observation of the system. Similarly, diagnostic data can be serially shifted into the shadow register through SDI, and parallel-loaded into the output register, allowing control and test scanning to be imposed on the system. Since the output register and the shadow register are loaded by different input signals, they can be operated independent of one another. In addition, diagnostic PROMs can be cascaded to construct wide control words used in microprogramming.

Selection Guide

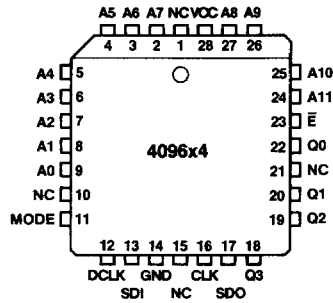
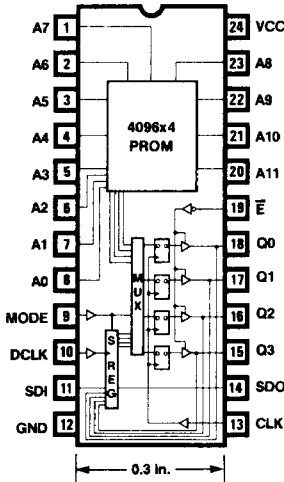
MEMORY		PACKAGE		PART NUMBER	
SIZE	ORGANIZATION	PINS	TYPE	0°C to +75°C	-55°C to +125°C
16 K	4096x4	24 (28)	NS,JS, W, (NL),(L)	63D1641	53D1641

Block Diagram



3

Pin Configurations



Plastic Chip Carrier

Function Table

INPUTS				OUTPUTS			OPERATION
MODE	SDI	CLK	DCLK	Q3-Q0	S3-S0	SDO	
L	X	↑	*	$Q_n \leftarrow \text{PROM}$	HOLD	S3	Load output register from PROM array
L	X	*	↑	HOLD	$S_n \leftarrow S_{n-1}$ $S_0 \leftarrow \text{SDI}$	S3	Shift shadow register data
L	X	↑	↑	$Q_n \leftarrow \text{PROM}$	$S_n \leftarrow S_{n-1}$ $S_0 \leftarrow \text{SDI}$	S3	Load output register from PROM array while shifting shadow register data
H	X	↑	*	$Q_n \leftarrow S_n$	HOLD	SDI	Load output register from shadow register
H	L	*	↑	HOLD	$S_n \leftarrow Q_n$	SDI	Load shadow register from output bus
H	H	*	↑	HOLD	HOLD	SDI	No operation†

* Clock must be steady or falling.

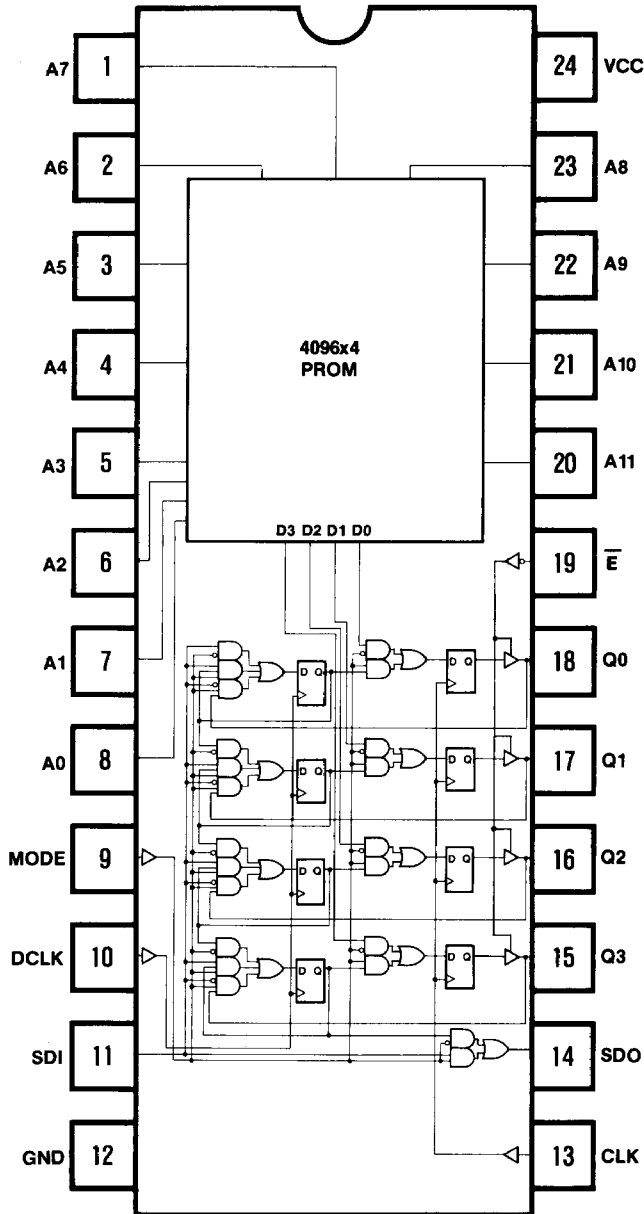
† Reserved operation for SN54/74S818 8-Bit Diagnostic Register.

Definition of Signals

MODE	The MODE pin controls the output register multiplexer and the shadow register. When MODE is LOW, the output register receives data from the PROM array and the shadow register is configured as a shift register with SDI as its input. When MODE is HIGH, the output register receives data from the shadow register. The shadow register is controlled by SDI as well as MODE. With MODE HIGH and SDI LOW, the shadow register receives parallel data from the output bus. With MODE and SDI both HIGH, the shadow register holds its present data.	CLK	The CLOCK pin loads the output register on the rising edge of CLK.
		DCLK	The diagnostic clock pin loads or shifts the shadow register on the rising edge of DCLK.
		Q3-Q0	Q_n represents the data outputs of the output register. During a shadow register load with outputs enabled these pins are the internal data inputs to the shadow register. With the outputs three-stated these pins are external data inputs to the shadow register.
SDI	The Serial Data In pin is the input to the least significant bit of the shadow register when operating in the shift mode. SDI is also a control input to the shadow register when it is not in the shift mode.	S3-S0	S_n represents the internal shadow register outputs.
SDO	The Serial Data Out pin is the output from the most significant bit of the shadow register when operating in the shift mode. When the shadow register is not in the shift mode, SDO displays the logic level present at SDI, decreasing serial shift time for cascaded diagnostic PROMs.	A11-A0	An represents the address inputs to the PROM array.
		\bar{E}	The Output Enable pin operates independent of CLK. When \bar{E} is LOW the outputs are enabled. When \bar{E} is HIGH, the outputs are in the high impedance state.

Logic Diagram

4096x4 Diagnostic PROM
with Asynchronous Enable



Absolute Maximum Ratings

	Operating	Programming
Supply voltage V_{CC}	-0.5 V to 7 V	12 V
Input voltage	-1.5 V to 7 V	7 V
Input Current	-30 mA to +5 mA	
Off-state output voltage	-0.5 V to 5.5 V	12 V
Storage temperature	-65° to +150°C	

Operating Conditions

SYMBOL	PARAMETER	MILITARY			COMMERCIAL			UNIT
		MIN	TYP†	MAX	MIN	TYP†	MAX	
V_{CC}	Supply voltage	4.5	5	5.5	4.75	5	5.25	V
T_A	Operating free air temperature	-55	25	125	0	25	75	°C
t_w	Width of CLK (HIGH or LOW)	25	10		20	10		ns
t_{su}	Set up time from address to CLK	45	25		40	25		ns
t_h	Hold time for CLK	0	-15		0	-15		ns
t_{wd}	Width of DCLK (HIGH or LOW)	45	15		40	15		ns
t_{sud}	Set up time from control inputs (SDI, MODE) to CLK, DCLK	50	20		45	20		ns
t_{hd}	Hold time for DCLK	0	-5		0	-5		ns

Electrical Characteristics Over Operating Conditions

SYMBOL	PARAMETER	TEST CONDITIONS		MIN	TYP†	MAX	UNIT
V_{IL}	Low-level input voltage					0.8	V
V_{IH}	High-level input voltage			2.0			V
V_{IC}	Input clamp voltage	$V_{CC} = \text{MIN}$	$I_I = -18 \text{ mA}$			-1.2	V
I_{IL}	Low-level input current	$V_{CC} = \text{MAX}$	$V_I = 0.4 \text{ V}$			-0.25	mA
I_{IH}	High-level input current	$V_{CC} = \text{MAX}$	$V_I = V_{CC} \text{ MAX}$			40	μA
V_{OL}	Low-level output voltage	$V_{CC} = \text{MIN}$	Com $I_{OL} = 24 \text{ mA}$	2.4		0.5	V
			Mil $I_{OL} = 16 \text{ mA}$				
V_{OH}	High-level output voltage	$V_{CC} = \text{MIN}$	Com $I_{OH} = -3.2 \text{ mA}$	2.4			V
			Mil $I_{OH} = -2 \text{ mA}$				
I_{OZL}	Off-state output current	$V_{CC} = \text{MAX}$	$V_O = 0.4 \text{ V}$			-100	μA
I_{OZH}			$V_O = 2.4 \text{ V}$			40	
I_{OS}	Output short-circuit current*	$V_{CC} = 5 \text{ V}$	$V_O = 0 \text{ V}$	-20		-90	mA
I_{CC}	Supply current	$V_{CC} = \text{MAX}$. All inputs TTL. All outputs open.			140	190	mA

* Not more than one output should be shorted at a time and duration of the short-circuit should not exceed one second.

† Typical at 5.0 V V_{CC} and 25°C T_A .

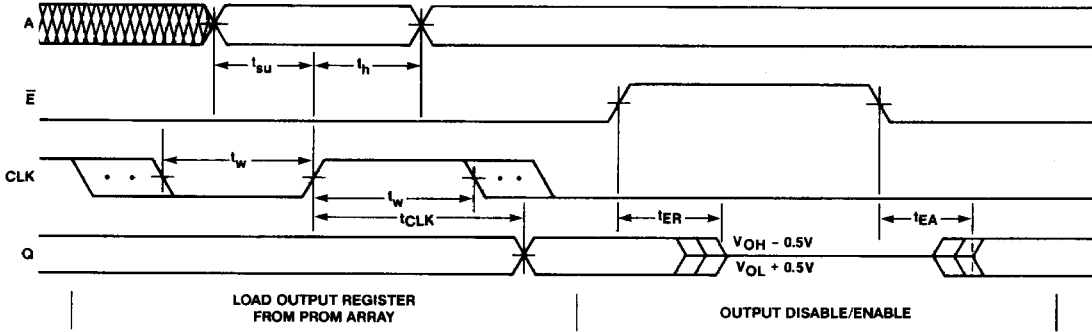
Switching Characteristics Over Operating Conditions and Using Standard Test Load

SYMBOL	PARAMETER	MILITARY		COMMERCIAL		UNIT	
		MIN	TYP†	MAX	MIN		TYP†
t_{CLK}	CLK to output	11		25	11	20	ns
t_{ER}	Disable time	16		30	16	25	ns
t_{EA}	Enable time	16		30	16	25	ns
f_{MAXD}	Maximum diagnostic clock frequency	7	18		10	18	MHz
t_{DS}	DCLK to SDO delay (MODE = LOW)	17		35	17	30	ns
t_{SS}	SDI to SDO delay (MODE = HIGH)	16		30	16	25	ns
t_{MS}	MODE to SDO delay	14		30	14	25	ns

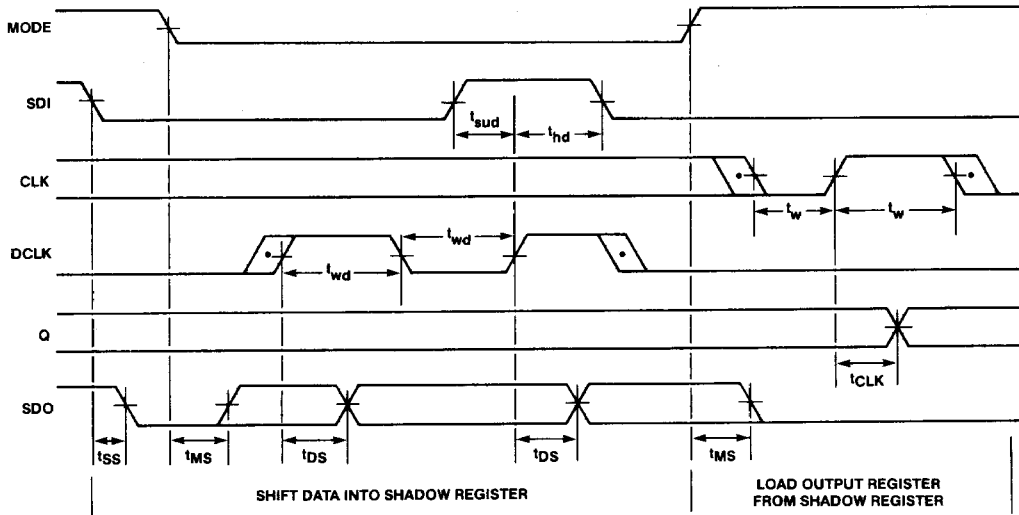
† Typical at 5.0 V VCC and 25° C TA.

3

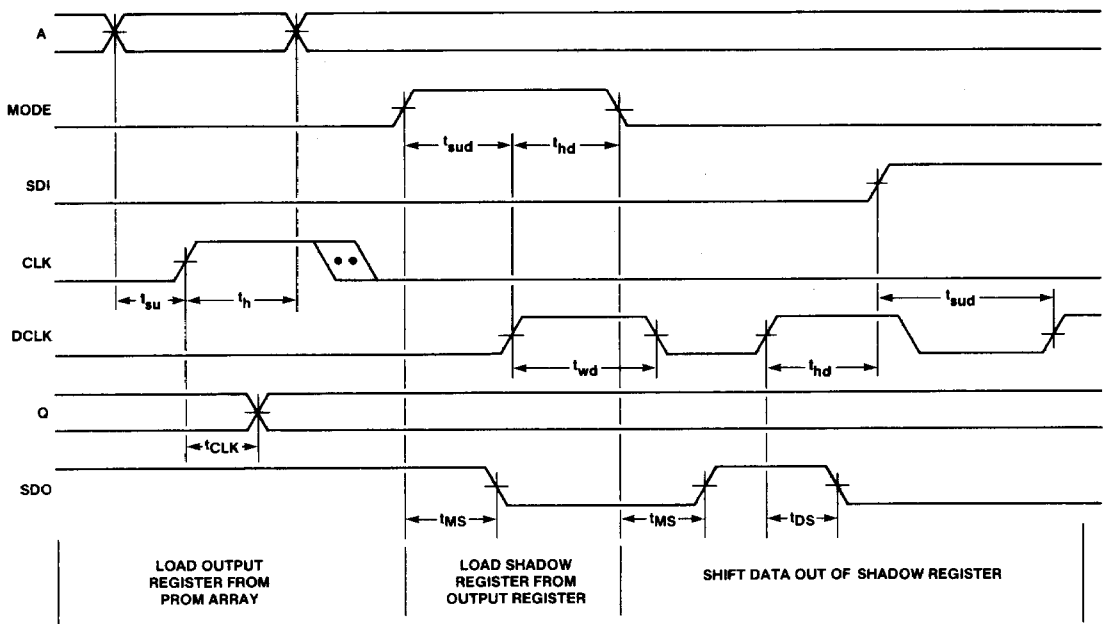
Definition of Waveforms



NORMAL PROM OPERATION (MODE = LOW)



SYSTEM CONTROL



SYSTEM OBSERVATION