

- Fully Integrated SONET/SDH Transceiver Supporting Clock/Data Recovery and MUX/DEMUX Functions
- Compliant With OIF-VSR4-03.0 (Former OIF2000.074.4 and OIF2001.284) Supporting SONET/SDH OC-192 Data Over Four Fibers
- Compliant With OIF-SFI4-01.0 Electrical Interface (Former OIF99.102) Supporting 4x4 Bit or 1x16 Bit LVDS Electrical Interface
- Supports OC-48/STM16 and Forward Error Correction (FEC) Data Rates Up To 2.7 Gbps
- Selectable Transmit Only, Receiver Only, Transceiver and Repeater Functions
- Supports SONET/SDH Frame Detection
- On-Chip PRBS Generation and Verification ( $2^{31}-1$  and  $2^7-1$ )
- Dual Power Supply 1.8/3.3 V
- Interfaces to Back Plane, Copper Cables or Optical Modules
- Hot Plug Protection
- Supports Redundancy
- VML Serial Interface With Programmable Pre-Emphasis and Internal Termination + Biasing
- On-Chip Termination for LVDS and PECL Compatible Interfaces
- Receiver Differential Input Thresholds 150 mV PP Min
- Supports SONET Loop Timing
- Low Power (1.5 W) at OC-48 rate
- ESD Protection >2 kV
- 155-MHz or 622-MHz Reference Clock
- Maintains Clock Output in Absence of Data
- Local and Remote Loopback
- Advanced 0.18- $\mu$ m CMOS Technology
- Small Footprint (19x19 mm) 289-Ball PBGA Package

## description

The SLK2504 is a single chip quad transceiver IC used to derive high-speed timing signals for SONET/SDH based equipment. The chip performs clock and data recovery, serial-to-parallel, parallel-to serial conversion and frame detection function conforming to the SONET/SDH standards on 4 separate channels.

A user selectable external reference clock operating at 622.08MHz or 155.52MHz is required for the recovery loop. The reference clock also provides a stable clock source in the absence of serial data transitions.

The SLK2504 accepts 4 sets of 4-bit LVDS parallel data/clock and generates 4 NRZ SONET/SDH compliant signals at OC-48 rates. It also recovers the data and clock from serial SONET streams and de-multiplexes it into 4 sets of 4 bit LVDS parallel data for full duplex operation. The 4 serial channels have a low jitter Voltage Mode Logic (VML) differential interface. It is recommended to AC-couple the input of the receiver (see Figure 24).

The SLK2504 provides a comprehensive suite of built-in tests for self-test purposes including local and remote loopback and PRBS ( $2^7-1$  and  $2^{31}-1$ ) generation and verification.

The device comes in a 289-pin PBGA package, requires a 1.8-V supply for the device core and a 3.3-V supply for the TTL control inputs. The SLK2504 is very power efficient dissipating less than 0.4-W per channel at 2.488 Gbps, the OC-48 data rate, and it is characterized for operation from  $-40^{\circ}\text{C}$  to  $85^{\circ}\text{C}$ .

The four channel of the SLK2504 can be used as 4 independent OC-48 data lanes or can be configured as one OC-192 data lane fully compliant with OIF-VSR4-03.0.

In OC-192 mode, the transmitter receives a 16-bit 622Mbps LVDS electrical signal from the OC-192 framer chip, serializes the data and sends it to the high-speed serial side. The 4x2.488Gbps receiver input RXxP/N buffers data out of the optical receive stage. Each channel clock becomes recovered and the byte aligned before the data word is stored into the according FIFO. The SLK2504 meets or exceeds the Sonet jitter specification.



Please be aware that an important notice concerning availability, standard warranty, and use in critical applications of Texas Instruments semiconductor products and disclaimers thereto appears at the end of this data sheet.

PRODUCT PREVIEW information concerns products in the formative or design phase of development. Characteristic data and other specifications are design goals. Texas Instruments reserves the right to change or discontinue these products without notice.

 **TEXAS  
INSTRUMENTS**

POST OFFICE BOX 655303 • DALLAS, TEXAS 75265

Copyright © 2002, Texas Instruments Incorporated

**PRODUCT PREVIEW**



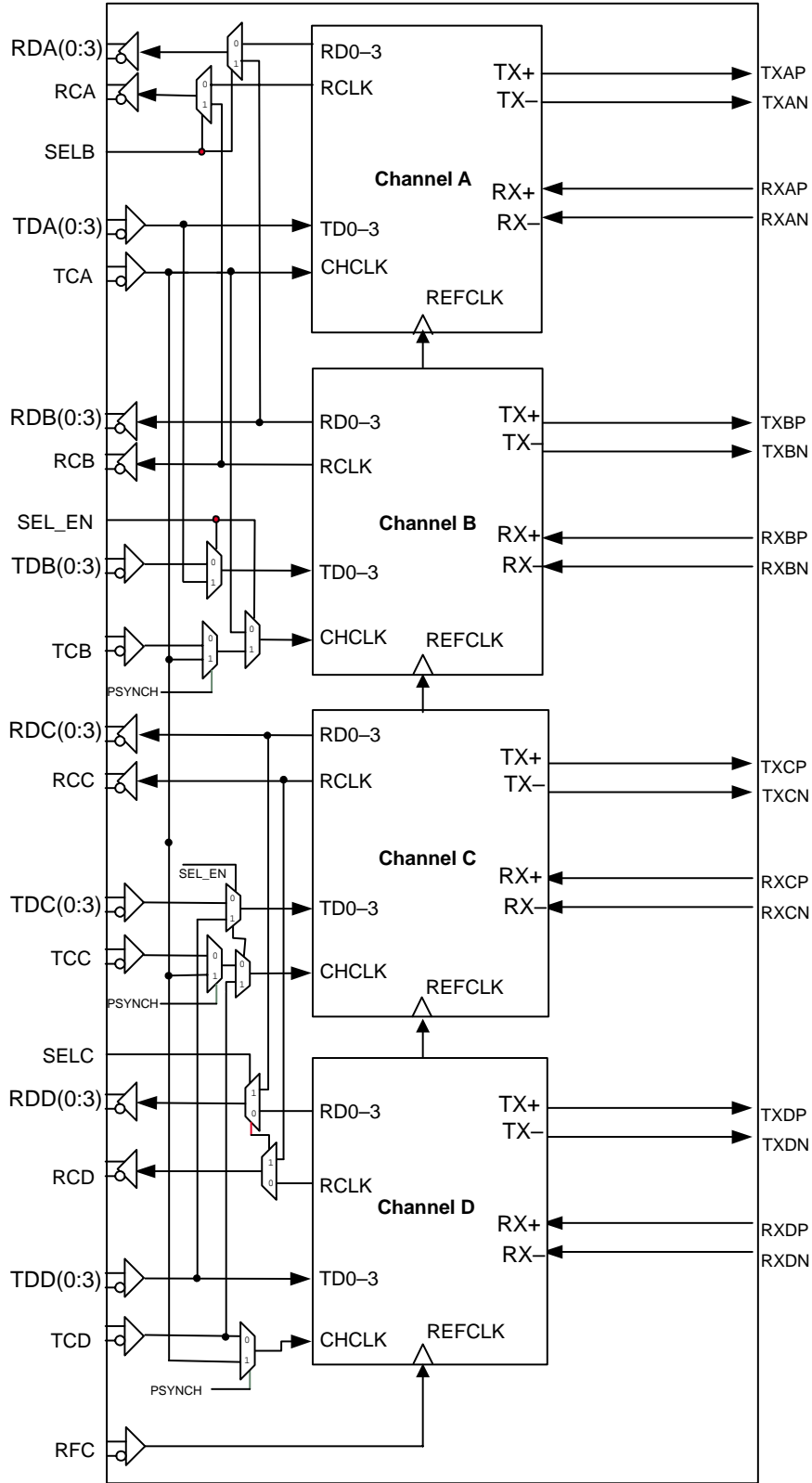


Figure 2. SLK2504 Block Diagram

PRODUCT PREVIEW

# SLK2504 1xOC-192 OR 4xOC-48 SONET/SDH TRANSCEIVER

SLLS539 – JULY 2002

PRODUCT PREVIEW

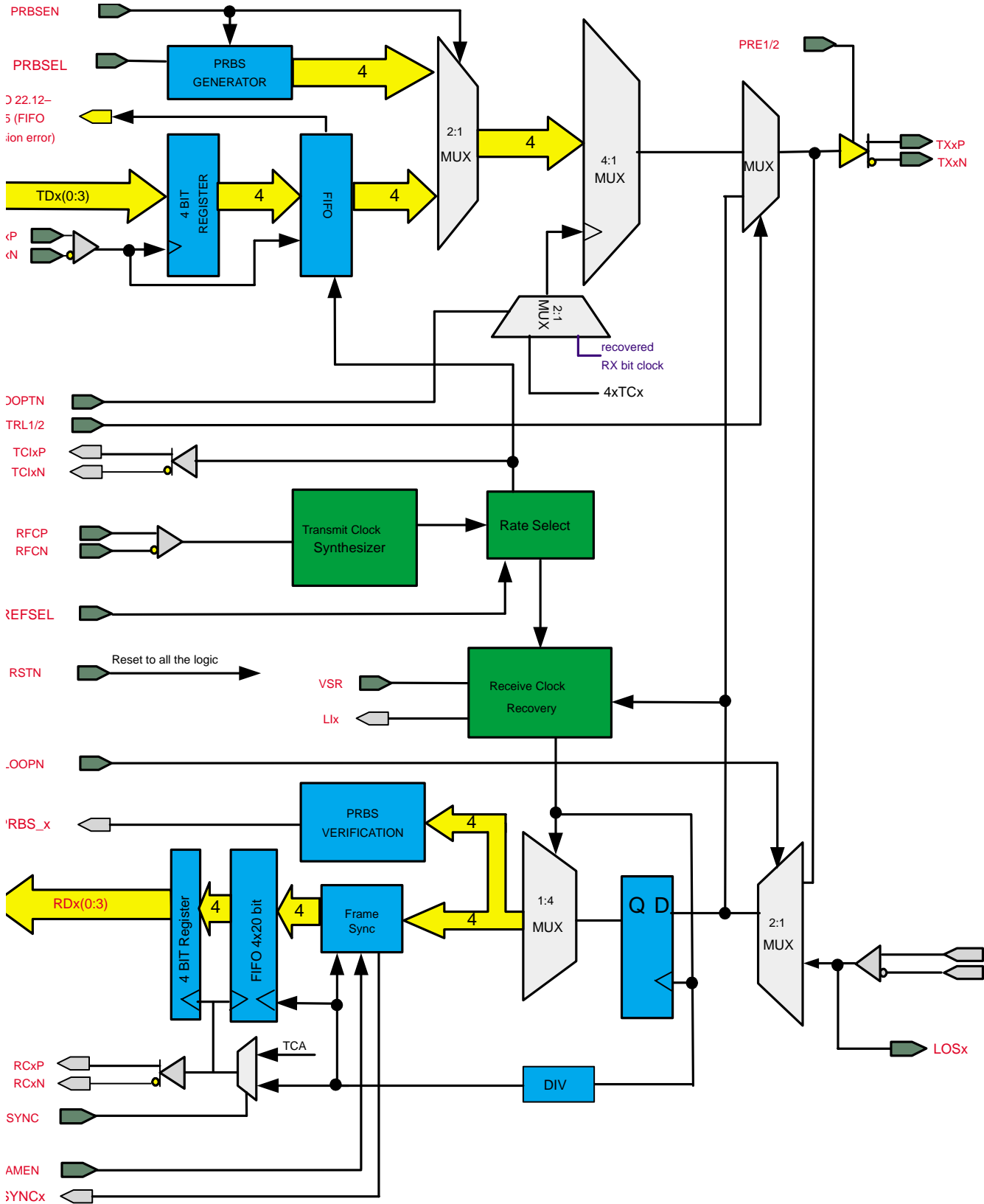


Figure 3. SLK2504 Block Diagram – One Channel



## IMPORTANT NOTICE

Texas Instruments Incorporated and its subsidiaries (TI) reserve the right to make corrections, modifications, enhancements, improvements, and other changes to its products and services at any time and to discontinue any product or service without notice. Customers should obtain the latest relevant information before placing orders and should verify that such information is current and complete. All products are sold subject to TI's terms and conditions of sale supplied at the time of order acknowledgment.

TI warrants performance of its hardware products to the specifications applicable at the time of sale in accordance with TI's standard warranty. Testing and other quality control techniques are used to the extent TI deems necessary to support this warranty. Except where mandated by government requirements, testing of all parameters of each product is not necessarily performed.

TI assumes no liability for applications assistance or customer product design. Customers are responsible for their products and applications using TI components. To minimize the risks associated with customer products and applications, customers should provide adequate design and operating safeguards.

TI does not warrant or represent that any license, either express or implied, is granted under any TI patent right, copyright, mask work right, or other TI intellectual property right relating to any combination, machine, or process in which TI products or services are used. Information published by TI regarding third-party products or services does not constitute a license from TI to use such products or services or a warranty or endorsement thereof. Use of such information may require a license from a third party under the patents or other intellectual property of the third party, or a license from TI under the patents or other intellectual property of TI.

Reproduction of information in TI data books or data sheets is permissible only if reproduction is without alteration and is accompanied by all associated warranties, conditions, limitations, and notices. Reproduction of this information with alteration is an unfair and deceptive business practice. TI is not responsible or liable for such altered documentation.

Resale of TI products or services with statements different from or beyond the parameters stated by TI for that product or service voids all express and any implied warranties for the associated TI product or service and is an unfair and deceptive business practice. TI is not responsible or liable for any such statements.

### Mailing Address:

Texas Instruments  
Post Office Box 655303  
Dallas, Texas 75265

**PRODUCT FOLDER** | PRODUCT INFO: [FEATURES](#) | [DESCRIPTION](#) | [DATASHEETS](#) | [PRICING/AVAILABILITY/PKG](#) | [APPLICATION NOTES](#) | [MORE LITERATURE](#)

## SLK2504, Four Channel SONET OC-48 Transceiver

DEVICE STATUS: **PREVIEW**

| PARAMETER NAME | SLK2504 |
|----------------|---------|
| VCC (max) (V)  | 1.89    |
| VCC (min) (V)  | 1.71    |
| VCC (nom) (V)  | 1.8     |

### FEATURES

[▲Back to Top](#)

- Fully Integrated SONET/SDH Transceiver Supporting Clock/Data Recovery and MUX/DEMUX Functions
- Compliant With OIF-VSR4-03.0 (Former OIF2000.074.4 and OIF2001.284) Supporting SONET/SDH OC-192 Data Over Four Fibers
- Compliant With OIF-SFI4-01.0 Electrical Interface (Former OIF99.102) Supporting 4x4 Bit or 1x16 Bit LVDS Electrical Interface
- Supports OC-48/STM16 and Forward Error Correction (FEC) Data Rates Up To 2.7 Gbps
- Selectable Transmit Only, Receiver Only, Transceiver and Repeater Functions
- Supports SONET/SDH Frame Detection
- On-Chip PRBS Generation and Verification ( $2^{31}-$  and  $2^7-1$ )
- Dual Power Supply 1.8/3.3 V
- Interfaces to Back Plane, Copper Cables or Optical Modules
- Hot Plug Protection
- Supports Redundancy
- VML Serial Interface With Programmable Pre-Emphasis and Internal Termination + Biasing
- On-Chip Termination for LVDS and PECL Compatible Interfaces
- Receiver Differential Input Thresholds 150 mV PP Min
- Supports SONET Loop Timing
- Low Power (1.5 W) at OC-48 rate
- ESD Protection >2 kV
- 155-MHz or 622-MHz Reference Clock
- Maintains Clock Output in Absence of Data
- Local and Remote Loopback
- Advanced 0.18-um CMOS Technology
- Small Footprint (19x19 mm) 289-Ball PBGA Package

### DESCRIPTION

[▲Back to Top](#)

The SLK2504 is a single chip quad transceiver IC used to derive high-speed timing signals for SONET/SDH based equipment. The chip performs clock and data recovery, serial-to-parallel, parallel-to-serial conversion and frame detection function conforming to the SONET/SDH standards on 4 separate channels.

A user selectable external reference clock operating at 622.08MHz or 155.52MHz is required for the recovery loop. The reference clock also provides a stable clock source in the absence of serial data transitions.

The SLK2504 accepts 4 sets of 4-bit LVDS parallel data/clock and generates 4 NRZ SONET/SDH compliant signals at OC-48 rates. It also recovers the data and clock from serial SONET streams and demultiplexes it into 4 sets of 4 bit LVDS parallel data for full duplex operation. The 4 serial channels have a low jitter Voltage Mode Logic (VML) differential interface. It is recommended to AC-couple the input of the receiver (see Figure 24).

The SLK2504 provides a comprehensive suite of built-in tests for self-test purposes including local and remote loopback and PRBS ( $2^7-1$  and  $2^{31}-1$ ) generation and verification.

The device comes in a 289-pin PBGA package, requires a 1.8-V supply for the device core and a 3.3-V supply for the TTL control inputs. The SLK2504 is very power efficient dissipating less than 0.4-W per channel at 2.488 Gbps, the OC-48 data rate, and it is characterized for operation from  $-40^{\circ}\text{C}$  to  $85^{\circ}\text{C}$ .

The four channel of the SLK2504 can be used as 4 independent OC-48 data lanes or can be configured as one OC-192 data lane fully compliant with OIF-VSR4-03.0.

In OC-192 mode, the transmitter receives a 16-bit 622Mbps LVDS electrical signal from the OC-192 framer chip, serializes the data and sends it to the high-speed serial side. The 4x2.488Gbps receiver input RXxP/N buffers data out of the optical receive stage. Each channel clock becomes recovered and the byte aligned before the data word is stored into the according FIFO. The SLK2504 meets or exceeds the Sonet jitter specification.

The SLK2504 offers 4 data channels (running independently or synchronized as OC-192) or can be configured as a two-port device with built in redundancy.

The SLK2504 meets the 3 SONET jitter specifications (jitter generation, jitter transfer, and jitter tolerance). However, the OIF-VSR4-03.0 as well as many backplane applications require a improved receiver jitter tolerance and are less critical to jitter transfer characteristics. The SLK2504 can be switched into a second mode with improved receiver jitter tolerance at the cost of Jitter transfer. This can be done by setting the VSR pin high.

**TECHNICAL DOCUMENTS**

[▲Back to Top](#)

To view the following documents, [Acrobat Reader 4.0](#) is required.

To download a document to your hard drive, right-click on the link and choose 'Save'.

**DATASHEET**

[▲Back to Top](#)

Full datasheet in Acrobat PDF: [slk2504.pdf](#) (72 KB) (Updated: 07/08/2002)

**APPLICATION NOTES**

[▲Back to Top](#)

- [Analog Applications Journal \(Rev. A\)](#) (SLYT010A - Updated: 03/17/2000)
- [Interfacing Between LVPECL, VML, CML and LVDS Levels](#) (SLLA120 - Updated: 12/17/2002)

**MORE LITERATURE**

[▲Back to Top](#)

- [Enhanced Plastic Portfolio Brochure](#) (SGZB004, 387 KB - Updated: 08/19/2002)
- [Product Bulletin Quad OC-48 SONET/SDH Transceiver](#) (SLYT036, 113 KB - Updated: 07/03/2002)
- [QML Class V Space Products Military Brief \(Rev. A\)](#) (SGZN001A, 257 KB - Updated: 10/07/2002)

**PRICING/AVAILABILITY/PKG**

[▲Back to Top](#)

**DEVICE INFORMATION**

Updated Daily

| ORDERABLE DEVICE | STATUS  | PACKAGE TYPE   PINS | TEMP (°C) | PRODUCT CONTENT               | BUDGETARY PRICING QTY   SUS | STD PACK QTY |
|------------------|---------|---------------------|-----------|-------------------------------|-----------------------------|--------------|
| SLK25041GPV      | PREVIEW | (GPV)   289         | -40 TO 85 | <a href="#">View Contents</a> | 1KU                         |              |

**TI INVENTORY STATUS**

As Of 09:00 AM GMT, 17 Apr 2003

| IN STOCK | IN PROGRESS QTY   DATE | LEAD TIME              |
|----------|------------------------|------------------------|
| 0*       |                        | <a href="#">Call**</a> |

**REPORTED DISTRIBUTOR INVENTORY**

As Of 09:00 AM GMT, 17 Apr 2003

| DISTRIBUTOR COMPANY   REGION                       | IN STOCK | PURCHASE |
|--|----------|----------|
| None Reported<br><a href="#">View Distributors</a> |          |          |

Table Data Updated on: 4/17/2003