

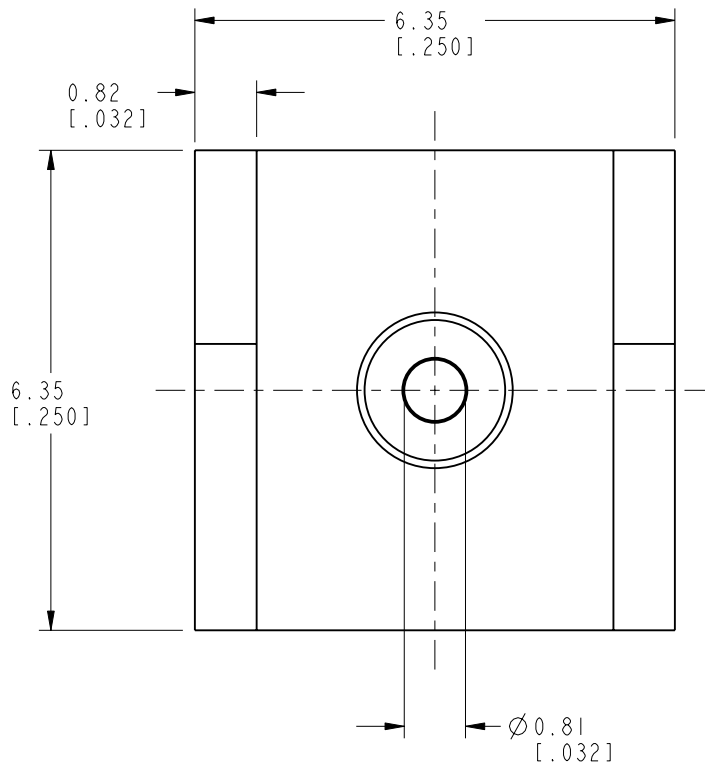
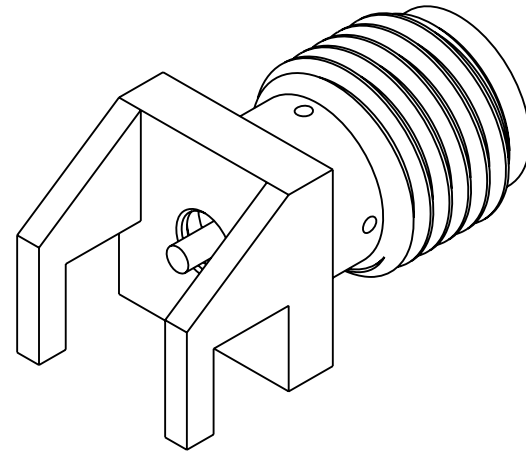
NOTES:

1. MATERIALS AND FINISHES:
 BODY - BRASS, GOLD PLATING
 CONTACT - BeCu, GOLD PLATING
 INSULATOR - PTFE
2. ELECTRICAL:
 A. IMPEDANCE: 50 OHM
 B. FREQUENCY RANGE: DC - 18 GHz
 C. DIELECTRIC WITHSTANDING VOLTAGE: 250 VRMS.
 D. WORKING VOLTAGE: 35 V
3. MECHANICAL:
 A. DURABILITY: 500 CYCLES MIN.
 B. TEMPERATURE RANGE: -65° C TO +165° C
 C. INSULATOR AND CONTACT WITHSTAND 4 IN-OZ TORQUE
 D. INSULATOR AND CONTACT WITHSTAND 6 LBS AXIAL FORCE APPLIED FROM MATING DIRECTION.
 E. MATING TORQUE, MINIMUM: 2 IN-LBS
 RECOMMENDED: 7-10 IN-LBS
 MAXIMUM: 15 IN-LBS
 F. COUPLING NUT RETENTION FORCE: 100 LBS MIN.
4. PACKAGING:
 A. QUANTITY: SINGLE PACK
 B. MARKING: BAG TO BE MARKED
 "AMPHENOLRF, 901-10380, AND DATE CODE"
5. MEETS MIL-C-39012 WHERE APPLICABLE.

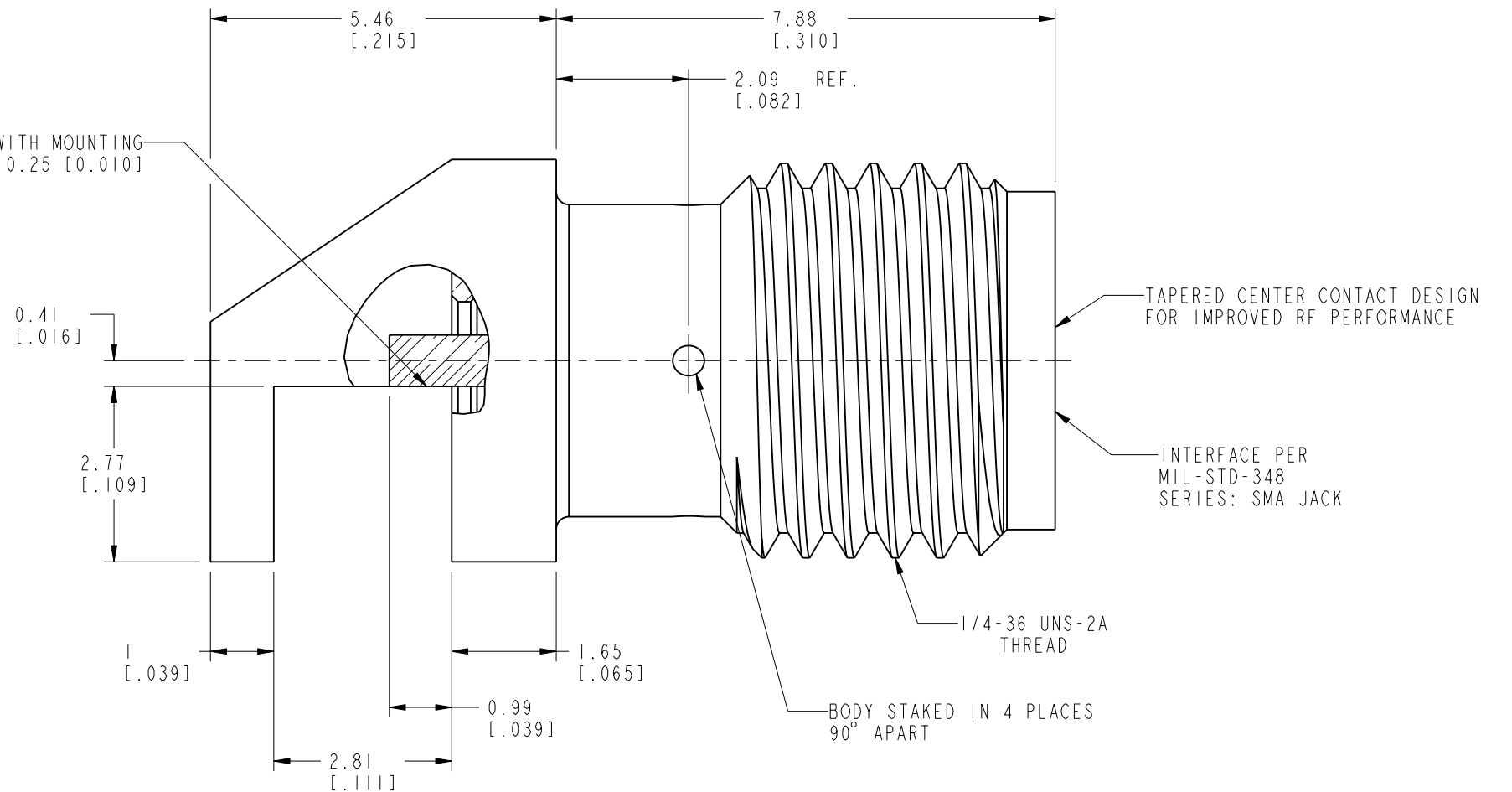
THIRD ANGLE PROJ.

REVISIONS

REV	DESCRIPTION	DATE	ECO	APPR
A	RELEASE TO MFG.	22-Oct-13	49779	JTS



CONTACT IN-LINE WITH MOUNTING SURFACE WITHIN 0.25 [0.010]



CUSTOMER OUTLINE DRAWING
 ALL OTHER SHEETS ARE FOR INTERNAL USE ONLY

UNLESS OTHERWISE SPECIFIED, DIMENSIONS ARE IN METRIC AND TOLERANCES ARE:
 <0.5mm ±0.05mm 0.5 - 6mm ±0.1mm 6 - 30mm ±0.2mm 30 - 120mm ±0.3mm ANGLES ±1°

NOTICE - These drawings, specifications, or other data (1) are, and remain the property of Amphenol corp. (2) must be returned upon request; and (3) are confidential and not to be disclosed to any person other than those to whom they are given by Amphenol Corp. the furnishing of these drawings, specifications, or other data by Amphenol Corp., or to any other person to anyone for any purpose is not to be regarded by implication or otherwise in any manner licensing, granting rights to permitting such holder or any other person to manufacture, use or sell any product, process or design, patented or otherwise, that may in any way be related to or disclosed by said drawings, specifications, or other data.

MATERIAL SEE NOTES
REFERENCE EAR # 4735
CONFIGURATION LEVEL: <input type="checkbox"/> <input type="checkbox"/> <input type="checkbox"/>
FINISH

DRAWN J. CHEN	DATE 22-Oct-13
ENGINEER T. SMITH	DATE 23-Feb-12
APPROVED S. HSIEH	DATE 23-Oct-13
CAD FILE	

TITLE SMA STR JACK EDGE LAUNCH	
SCALE: 10.0:1.0	SHEET 2 OF 2
DWG SIZE B	REV A

Amphenol RF www.amphenolrf.com	
DRAWING NO. 901-10380	
ITEM NO. 901-10380	
PART NO. 901-10380	