

Housings

12, 24, 36, & 48 Positions

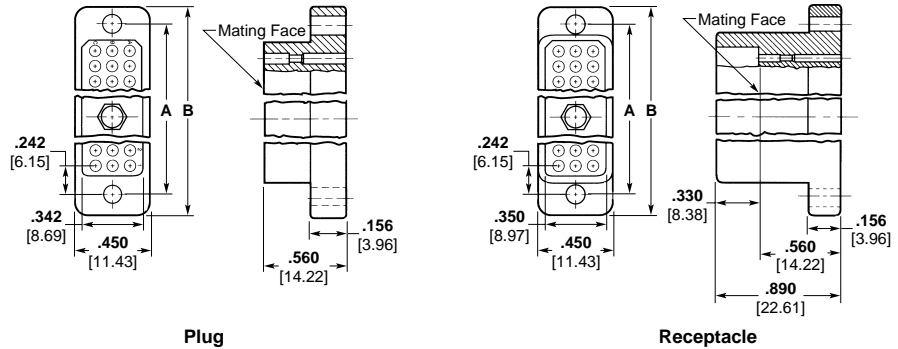
Material — See chart on page 5180

Related Product Data

Contacts — Page 5178

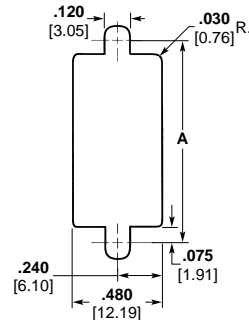
Accessories — Pages 5186 and 5187

Technical Documents — Page 5177



Plug

Receptacle



Recommended Panel Cutout

54 Position

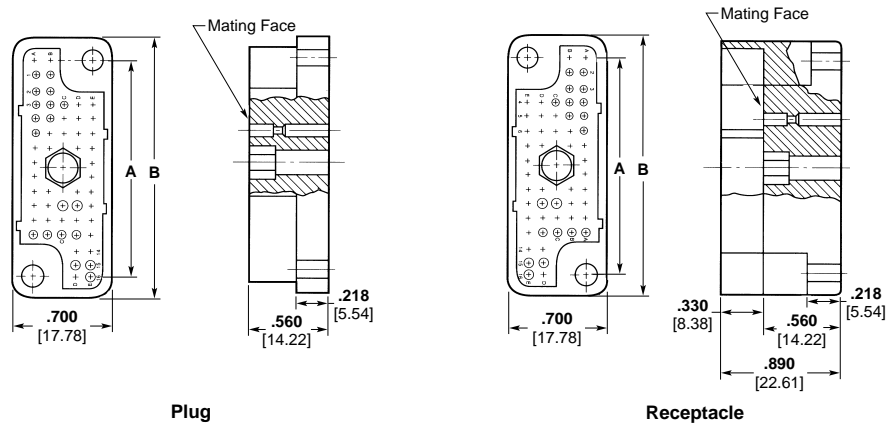
Material — See chart on page 5180

Related Product Data

Contacts — Page 5178

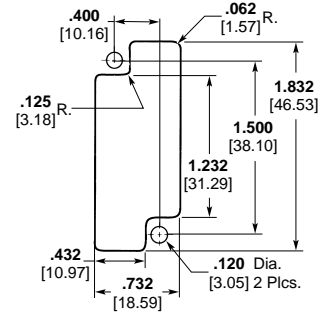
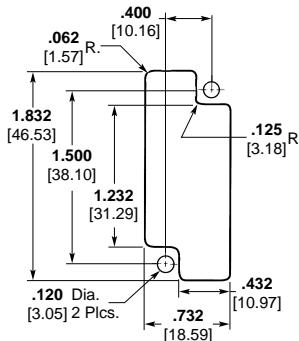
Accessories — Pages 5186 and 5187

Technical Documents — Page 5177



Plug

Receptacle



Recommended Panel Cutout

106 Position

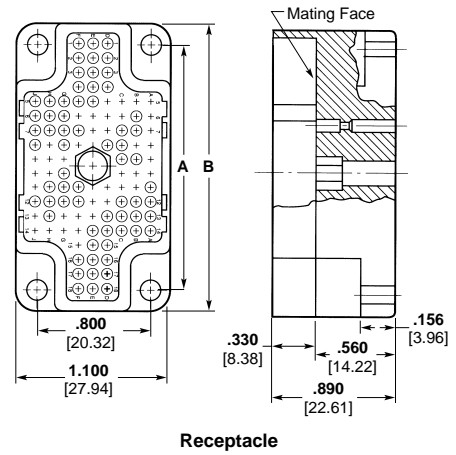
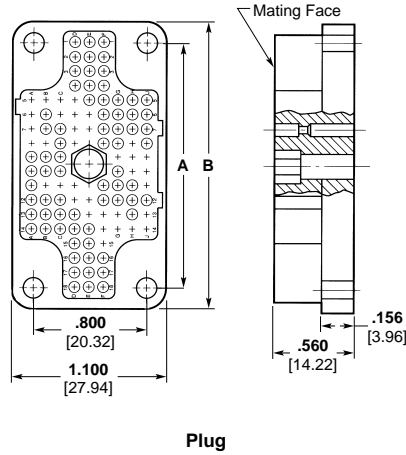
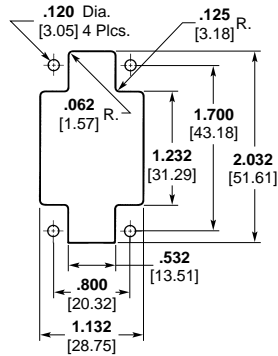
Material — see chart below

Related Product Data

Contacts — Page 5178

Accessories — Pages 5186 and 5187

Technical Documents — Page 5177



Recommended Panel Cutout

Center Fastener	No. of Positions	Dimensions		Center Fastener Type	Part Numbers			
		A	B		Plug Half		Receptacle Half	
					Phenolic	Diallyl Phthalate	Phenolic	Diallyl Phthalate
With Center Fastener	12	1.084 24.43	1.334 33.88	Fixed Female	204727-1	204727-2	—	204728-2
				Long Male Turnable	—	—	204740-1	204740-2
				Fixed Female	204729-1	204729-2	—	—
	24	1.484 37.69	1.734 44.04	Long Male Turnable	—	204741-2	204742-1	204742-2
				Short Male Turnable	—	—	—	204742-4
				Fixed Female	204731-1	204731-2	—	204732-2
	36	1.884 47.85	2.134 54.20	Long Male Turnable	204743-1	204743-2	204744-1	204744-2
				Short Male Turnable	204743-3	—	—	—
				Fixed Female	204733-1	—	204734-1	204734-2
	48	2.284 58.01	2.534 64.36	Long Male Turnable	—	204745-2	204746-1	204746-2
				Short Male Turnable	—	204745-4	—	—
				Fixed Female	204735-1	—	204736-1	—
	54	1.500 38.10	1.800 45.72	Long Male Turnable	204747-1	204747-2	204748-1	204748-2
				Short Male Turnable	—	—	—	204748-4
				Fixed Female	204737-1	204737-2	204738-1	204738-2
	106	1.700 43.18	2.000 50.80	Long Male Turnable	204749-1	204749-2	204750-1	204750-2
				Short Male Turnable	—	204749-4	—	204750-4
				Fixed Female	—	—	—	—
Without Center Fastener	12	1.084 24.43	1.334 33.88	—*	204281-2	2-204281-2	204282-2	—
	24	1.484 37.69	1.734 44.04	—*	—	2-204281-4	204282-4	2-204282-4
	36	1.884 47.85	2.134 54.20	—*	204281-6	2-204281-6	204282-6	2-204282-6
	48	2.284 58.01	2.534 64.36	—*	204281-8	2-204281-8	204282-8	—
	54	1.500 38.10	1.800 45.72	—*	203804-1	203804-2	203803-1	203803-2
	106	1.700 43.18	2.000 50.80	—*	204260-1	204260-2	204259-1	204259-2

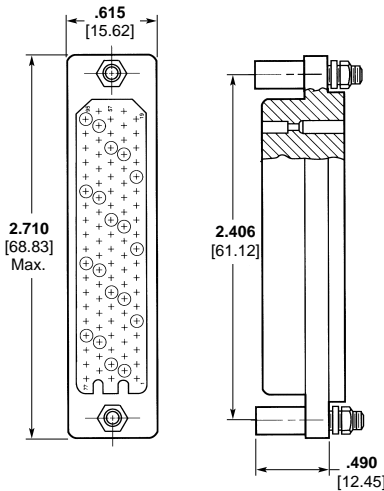
\*See page 5186 for jackscrews.

Housings (Continued)

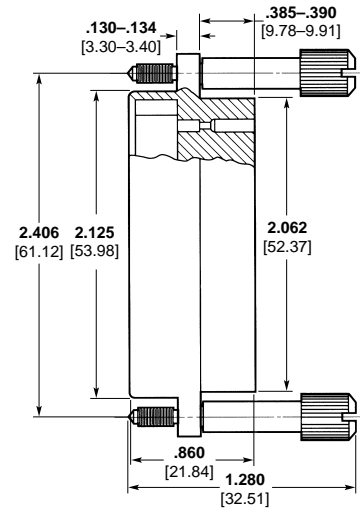
95 Position Connector with Jackscrews

**Material**  
 Housing — Diallyl Phthalate  
 Jackscrews — Stainless Steel

**Related Product Data**  
 Contacts — Page 5178  
 Technical Documents — Page 5177



**Plug**  
 Part Number 204694-1

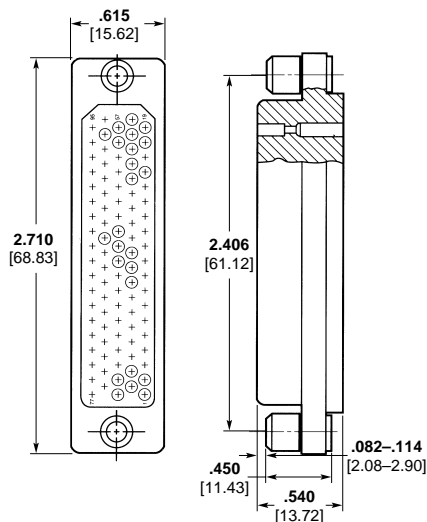


**Receptacle**  
 Part Number 204693-2

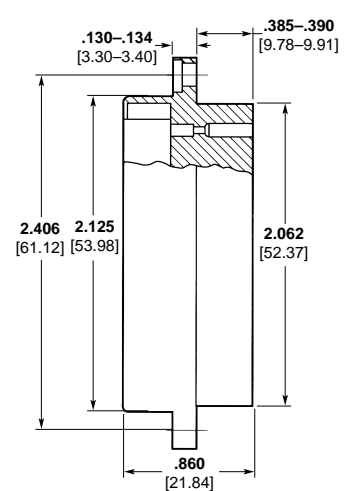
95 Position Connector with Floating Bushings

**Material**  
 Housing — Diallyl Phthalate  
 Floating Bushings — Stainless Steel

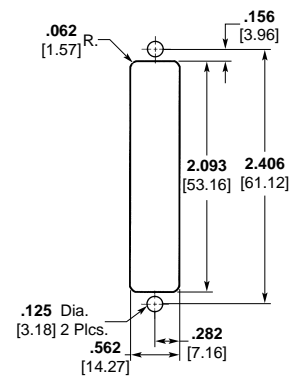
**Related Product Data**  
 Contacts — Page 5178  
 Technical Documents — Page 5177



**Plug**  
 Part Number 204030-1



**Receptacle**  
 Part Number 204027-2



**Recommended Panel Cutout**

**Note:** Marking on receptacles are on wiring side only.