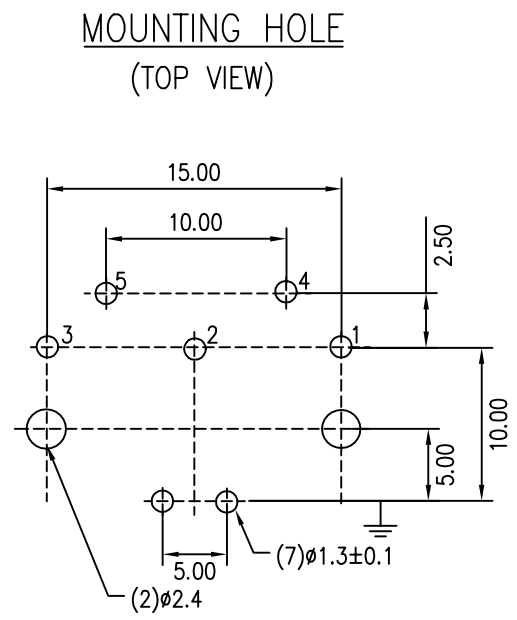
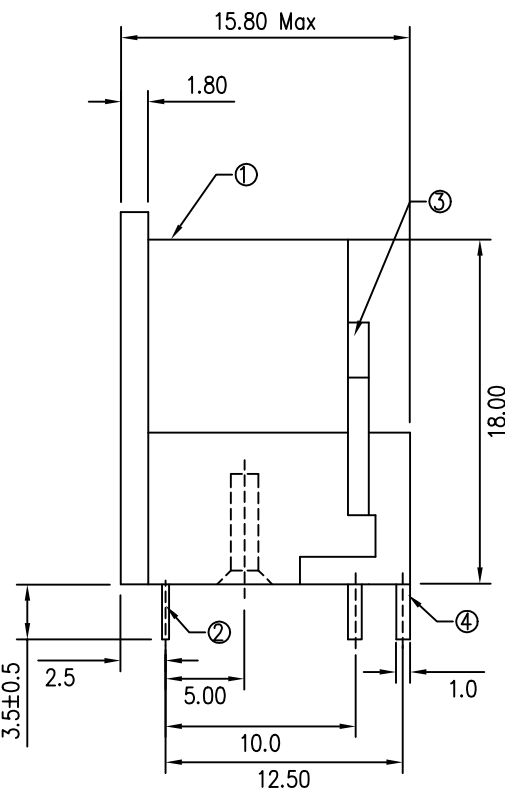
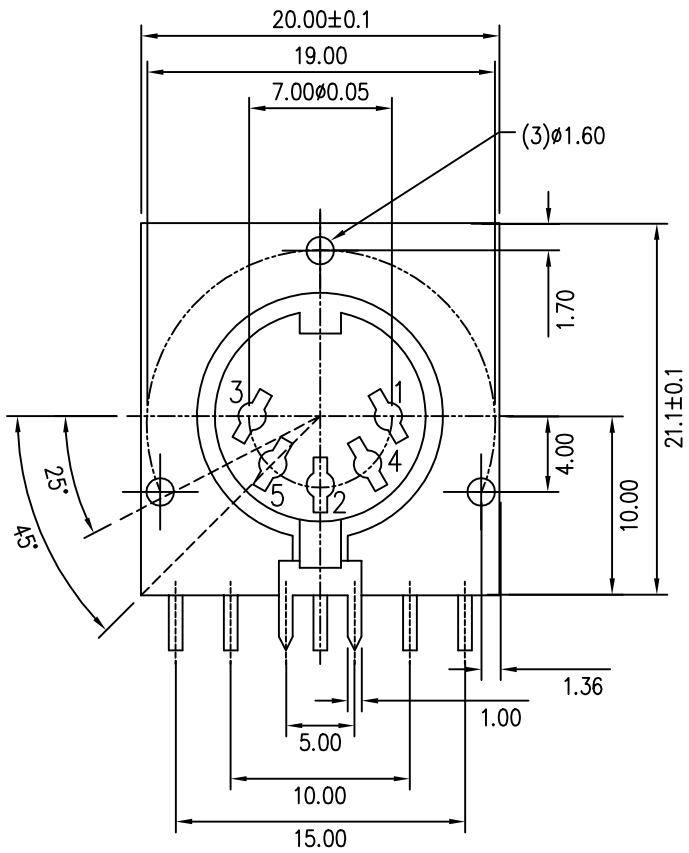


1 2 3 4 5 6 7

A
B
C
D
E

A
B
C
D
E



- SPECIFICATIONS:
- 1.CONTACT RESISTANC:20m OHM MAX.
 - 2.INSULATION RESISTANCE:100M OTH AT 500V DC
 - 3.VOTLAGE WITHSTANDING:AC 500V 1MINUTE
 - 4.INSERTION FORCE:5.0KG MAX
 - 5.WITHDRAWAL FORCE:1-3.5 KG
 - 6.LIFE TEST:5000 CYCLES MIN. AFTER TESTING.CONTACT RESISTANCE SHALL NOT EXCEED 100m OHM
 - 7.CURRENT RATING: AC 100V 2A
DC 24V 1A

P/N	PART NAME	Q'TY	MATERIAL	PLATING	UNITS
1	BODY	1	P.B.T	VALOX 420-SEO	REMARKS
2	EARTH TERMINAL	1	PBSR-H 0.2t	Pb10% Sn90%	UL94V-0
3	PLATE	1	BAKELITE	PL-PEM 1.4t	
4	CONTACTOR	5	BSR-H/2 0.7t	Pb10% Sn90%	

易昕企業有限公司
LEAMAX ENTERPRISE CO., LED.

PROJ		SCALE : F DO NOT SCALE DWG	MOLD NO	3267-5	
APP			MODEL	FILE NO	REV.
CHK	CCJ	91.06.04	5 PIN	BIG DIN	X1
DGN	AMY	91.06.04	UNIT	SHT 1 OF 1	SIZE
DRW	SHIEH	91.06.04	MM		A4

1 2 3 4 5 6 7