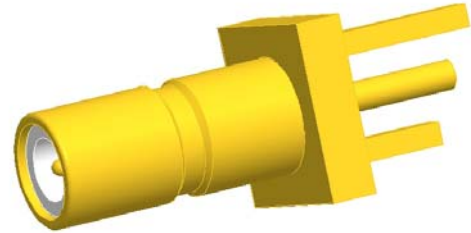


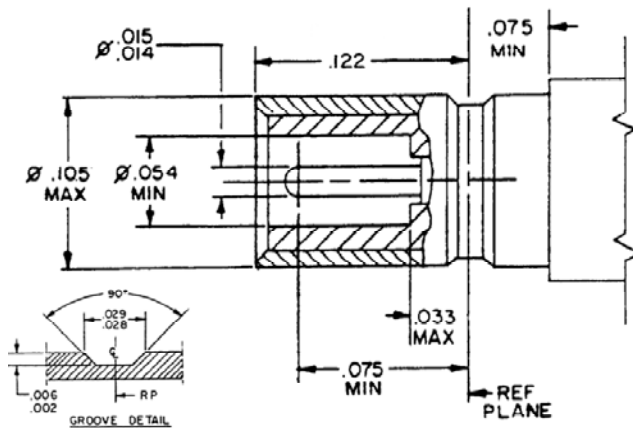
Amphenol® RF

SSMB Connectors

Amphenol RF's SSMB series provides excellent electrical performance in a microminiature footprint. While the snap-on mating interface allows quick installation and dense packaging, the excellent electrical performance of the SSMB series allows it to be used in many applications as an alternative to larger connectors like SMAs.



904-102J-51P



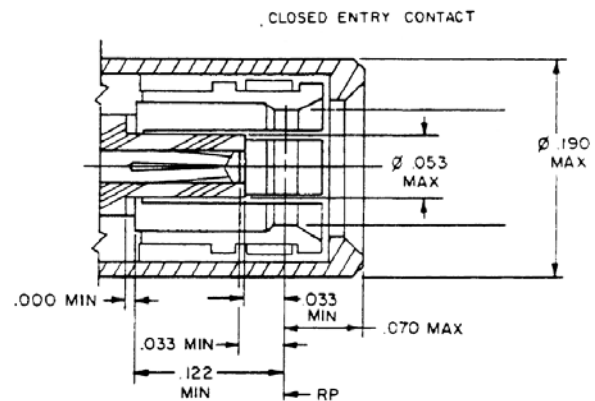
SSMB Jack Interface

Applications:

- Base Stations
- Instrumentation
- Process Controls
- Cable Assemblies
- Mil/Aero
- Telecom
- Components
- PC/LAN

Features:

- Lightweight
- Snap-on interface for quick and easy installation
- Small size
- Excellent performance in devices up to 4 GHz



SSMB Plug Interface

SSMB Connectors

Ordering Information:

Part Number Overview

904-1XXY – 51Z

904: SSMB Series

XX: Sequential #

Y: Connector Sex

- P (Plug)
- J (Jack)

Z: Body Style

- S (Straight)
- A (Right Angle)

Available SSMBs

Cable Plugs

904-100P-51A: R/A Plug for .086 Semi-Rigid

904-101P-51S: Straight Plug for .086 Semi-Rigid

904-104P-51A: R/A Plug for .047 Semi-Rigid

904-105P-51S: Straight Plug for .047 Semi-Rigid

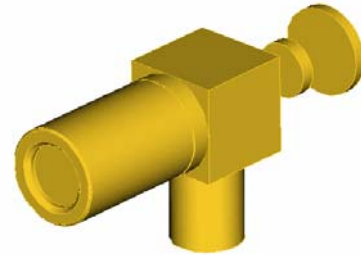
Jacks

904-102J-51P: Straight PCB 2 Legs (0.125")

904-103J-51P: Straight Circular SMT .125" contact

904-106J-51P: Straight Circular SMT .076" contact

904-107J-51P: Straight PCB 2 Legs (0.076")



904-104P-51A



904-103J-51P

Item	Specification	Conditions
1. Impedance	50 Ω (Nominal)	
2. Frequency Range	DC to 12.4 GHz	
3. V.S. W. R. (Straight connectors)	1.05 max.	DC to 3 GHz
	1.12 max.	3 to 6 GHz
4. RF Leakage	-80 dB to 3 GHz	-70 dB to 6 GHz
5. Power Handling	125 W at 40°C	
6. Durability	500 cycles min.	
7. Engagement Force	25 N (5.6 lb) Typical	
8. Disengagement Force	20 N (4.5 lb) Typical	
9. Retention Force of Interface	60 N (13.5 lb) min	
10. Temperature Range	-65°C to +165°C	
11. Materials		
Body	White bronze over brass	
Solder Body	Gold over brass	
Pin Contact	Gold over brass	
Socket Contact	Gold over beryllium copper	
Outer Contact	White bronze over spring bronze	
Insulator	PTFE	
Crimp Ferrule	White bronze over copper	