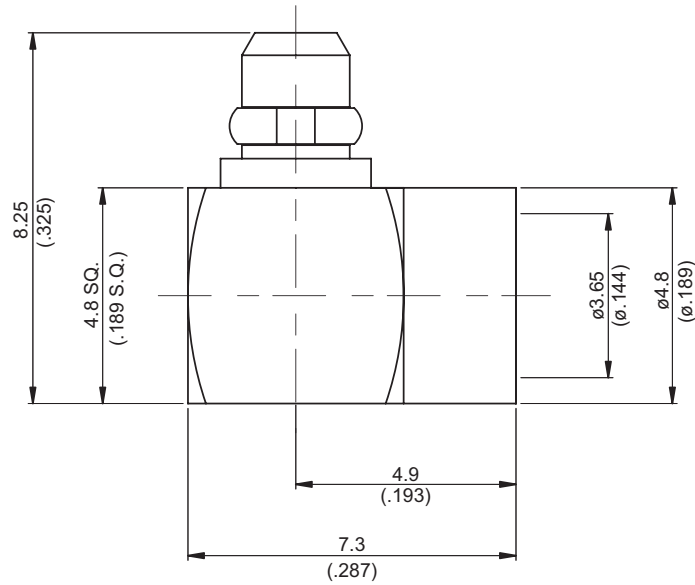


MMCX3300-9141

MMCX Plug Solder Right Angle

50Ω



Parts	Material	Plating (Micro-inch)
Cover	Brass	Gold 5 Over Nickel 50 Over Copper 50
Insulator	Teflon	
Contact Pin	Brass	Gold 20 Over Nickel 50 Over Copper 50
Renber Ring	Brass	Gold 5 Over Nickel 50 Over Copper 50
Body	Brass	Gold 5 Over Nickel 50 Over Copper 50

Weight: 0.9 g

Suitable Cables: Semi-rigid.141

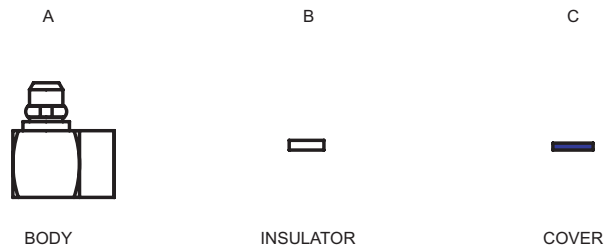
This part number complies with RoHS.

Notice: JYEBAO reserves the right to make modifications deemed appropriate.

CABLE ASSEMBLY INSTRUCTION

MMCX3300-9141

JYE BAO CO., LTD.

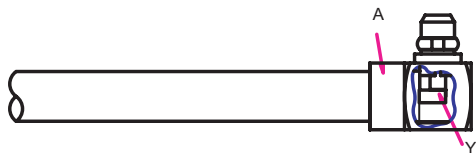


DIAGRAM

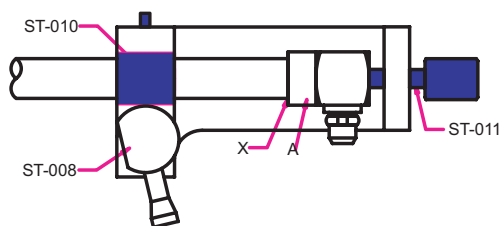
ASSEMBLY INSTRUCTION



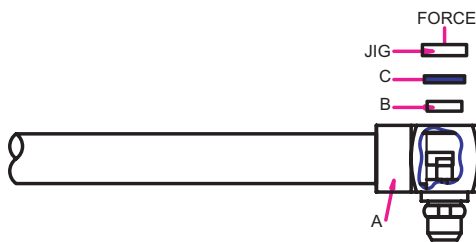
Step 1: STRIP AS SHOWN .



Step 2: SLIDE CENTER CONDUCTOR ON THE CONTACT PIN OF CONNECTOR "A" AND SOLDER IN "Y"



Step 3: USE SOLDERING FIXTURE "ST-008", INSERT TOOL "ST-010" AND LOCATOR TOOL "ST-011" TO FIX THE CONNECTOR. SOLDER IN "X".



Step 4: PRESS ON THE TOP OF "B " AND " C " WITH JIGS.

This part number complies with RoHS.

Notice: JYEBAO reserves the right to make modifications deemed appropriate.