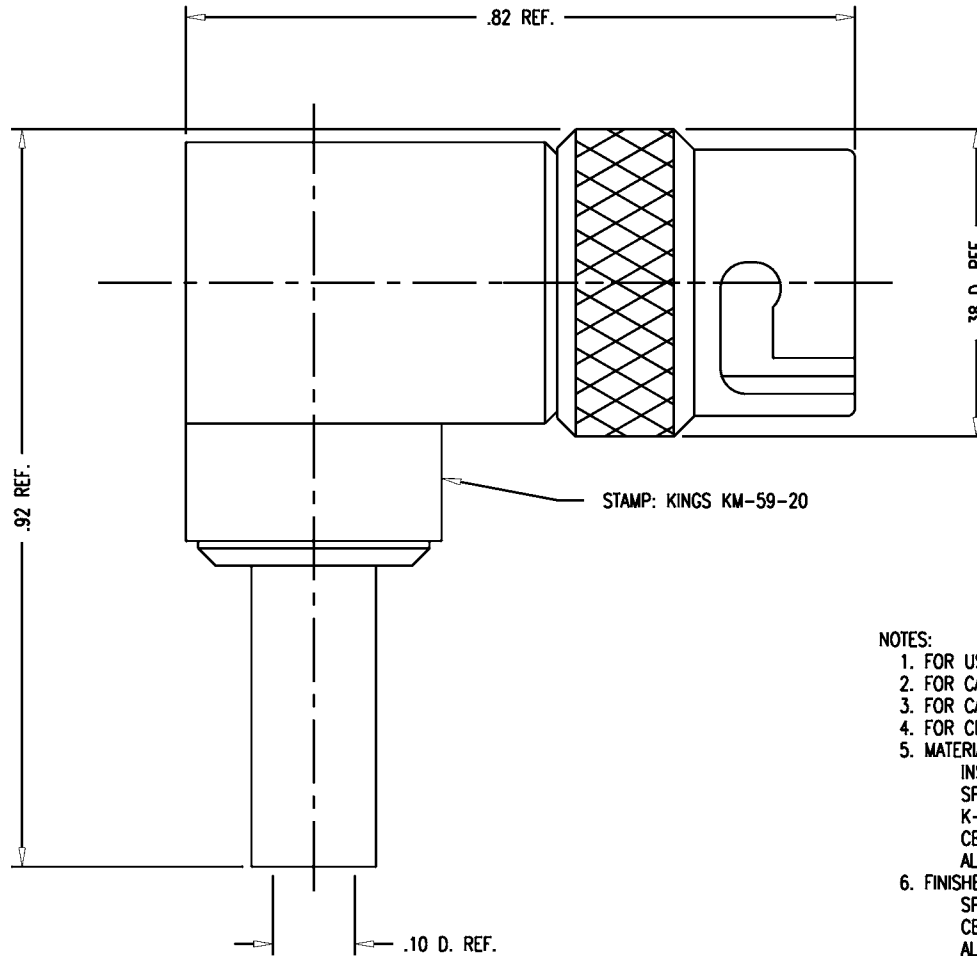


GSD

KM-59-20



NOTES:

1. FOR USE WITH RAYCHEM 5026A1018 & 5026A1318 CABLES.
2. FOR CABLING INSTRUCTIONS SEE CP-435.
3. FOR CABLE TRIMMING USE KTJ-102 & KTD-150.
4. FOR CRIMPING USE DIE KTH-2011.
5. MATERIALS:
 INSULATORS-TEFLON, ASTM-D-1457
 SPRING-MUSIC WIRE
 K-GRIP SLEEVE-COMMERCIAL BRONZE, ALLOY 220
 CENTER CONTACTS- BER. COP., ASTM-B-196
 ALL OTHER METAL PARTS-BRASS, ASTM-B16
6. FINISHES:
 SPRING-CADMIUM PLATE, PER QQ-P-416
 CENTER CONTACT- SILVER PLATE PER QQ-S-365
 ALL OTHER METAL PARTS- KINGS TARNISH RESISTANT FINISH (TR-5)
7. ELECTRICAL CHARACTERISTICS:
 NOMINAL IMPEDANCE-NON-CONATANT
 FREQUENCY RANGE-DC TO 500 MHZ
 WORKING VOLTAGE-500 VRMS

REVISIONS

ISSUE	CHANGES
7	CN 33734 C REDRAWN JCA 06/05/92

JCA2842

SCALE 6:1	
APPROX SURFACE AREA	
USED ON	
REF:	
PLUG, ANGLE, KM	
DRAWN JCA	DATE 06/05/92
DESIGN MJB	DATE 06/08/92
APPR.	DATE

KINGS
ELECTRONICS CO., INC.
TUCKAHOE, NEW YORK 10707

KM-59-20

GSD