

SERIES 601 5-TAPS 14 PIN FAST LOGIC DELAY MODULES

T-47-13

- 14 Pin DIL Package • TTL and DTL Compatible
- 5 Equally Spaced Taps • Low Cost Units

Specifications:

- Supply Voltage : 4.75 to 5.25VDC
- Logic 1 Input Current : 100µA Max
- Logic 0 Input Current : -1.6mA Max
- Logic 1 Volt Out : 2.5V Min
- Logic 0 Volt Out : 0.5V Max
- Logic 1 Fan-Out : 25 Max
- Logic 0 Fan-Out : 12.5 Max
- Output Rise Time⁽²⁾ : 2NSEC TYP.
- Operating Temp Range : 0°C to 70°C
- Temperature Coefficient : 100 PPM/°C

Input Test Conditions:

- Input Pulse Voltage : 3.2V
- Input Rise Time : <2NS
- Pulse Width : 40% of Total Delay
- Supply Current ICCL* : 32mA
- ICCH* : 7mA

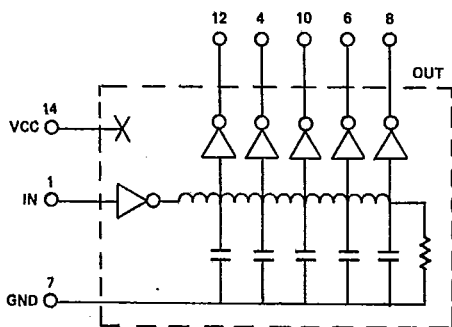
Electrical Specifications at 25°C (Measured with no Loads on Taps)



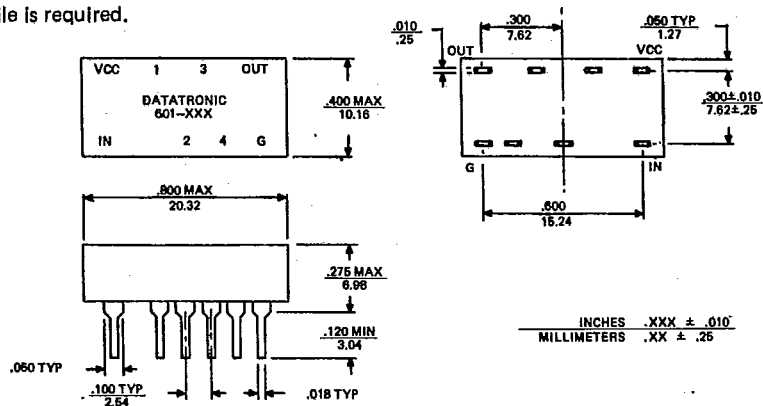
Part Number	Total Delay Nanosecond (1)	Tap To Tap Delay NSEC (1)
601-4*	4±1	1±0.5
601-5*	5±1	1.2±0.5
601-6*	6±1	1.5±0.5
601-8*	8±2	2±0.5
601-10*	10±2	2.5±0.5
601-12*	12±2	3±0.5
601-16*	16±2	4±0.6
601-25	25±2	5±0.8
601-30	30±2	6±1
601-35	35±2	7±1
601-40	40±2	8±1
601-45	45±2.2	9±1
601-50	50±2.5	10±2
601-60	60±3	12±2
601-75	75±3.5	15±2
601-100	100±5.0	20±2
601-125	125±5.5	25±2
601-150	150±6.0	30±3
601-175	175±8.7	35±3.5
601-200	200±10	40±4
601-250	250±12.5	50±5
601-300	300±15	60±6
601-350	350±17.5	70±7
601-400	400±20	80±8
601-500	500±25	100±10

Note: (1) Measured at 1.5v level leading edge.
 (2) Measured from 0.75v to 2.4v.
 *Time Delay measured with respect to 1st Tap.

Version A profile 0.250 inch and B profile 0.210 inch are available. Please add A or B to above part number if lower profile is required. (i.e. DL601-4A or DL601-4B)



SCHEMATIC



INCHES .XXX ± .010
 MILLIMETERS .XX ± .26