

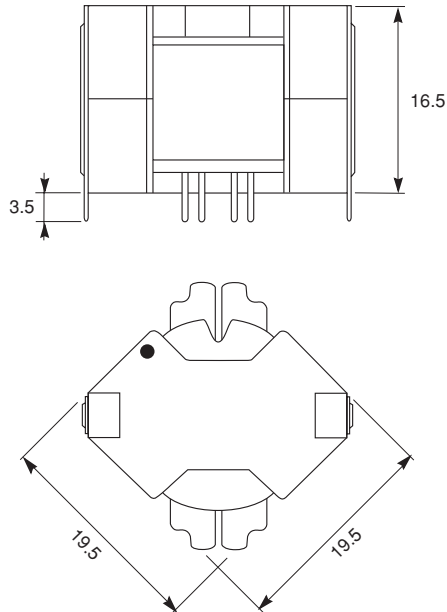
ISDN Transformers



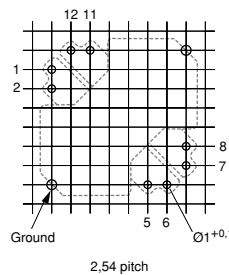
FEATURES

- Ferrite RM style has a compact profile and allows automated production at low cost
- Transformers TU2091 series are used for ISDN transmission 2 wires up to 10km according to 4B3T and 2B1Q regulation

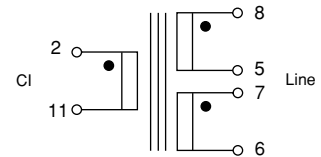
DIMENSIONS in millimeters



CONFIGURATION (TOP VIEW)



ELECTRICAL DIAGRAM



MECHANICAL SPECIFICATIONS

Ferrite	RM8 - 8 pins
Configuration	2.54mm pitch
Unit Weight	20g

CLIMATIC SPECIFICATIONS

Temperature Limits	- 20°C + 85°C
--------------------	---------------

MARKING

Print marked: manufacturer, series, manufacturing date (code), pin 1.

ORDERING INFORMATION

TU2091
SERIES

ELECTRICAL SPECIFICATIONS

Inductance (2-11)	14.5mH ± 10% at 10kHz 100mV
Input/Output Ratio	8-5: 0.8 2-11: 1 7-6: 0.8
Leakage Inductance	< 90µH at 100kHz 100mV
DC Current	60mA max
Maximum Resistance/Winding	8-5: 1.35Ω 2-11: 2.38Ω 7-6: 1.35Ω
Coupling Capacitance	100pF max. at 10kHz
Dielectric Strength	1500V 50Hz

IC COMPATIBILITY

Siemens reference	IECQ PEB 2091
AMD reference	AMD 2091

PACKAGING

50 pieces in a sectioned box.