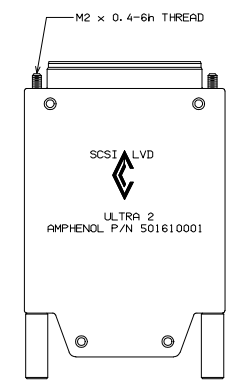
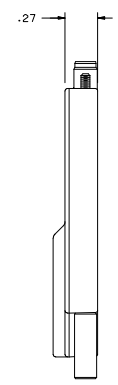
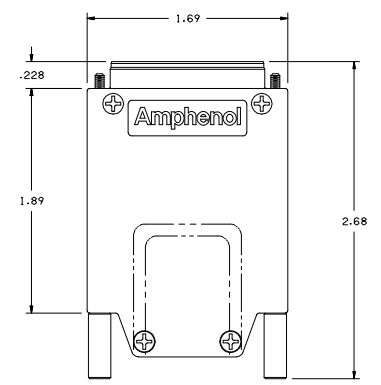
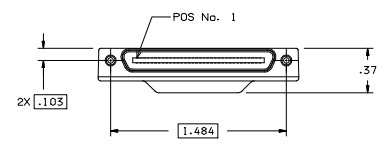
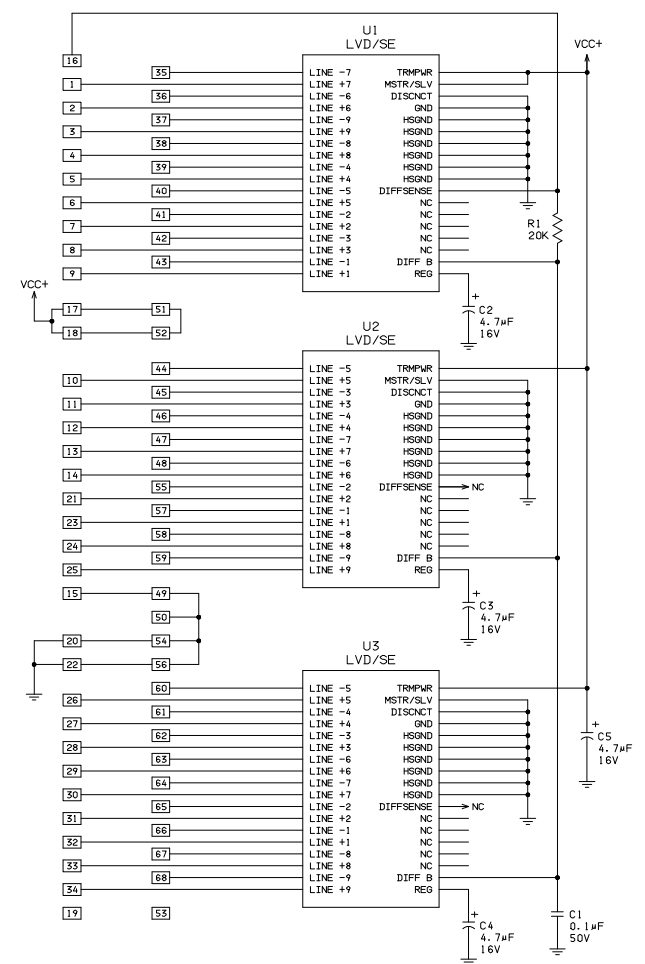


REVISIONS				
ZONE	LTR	DESCRIPTION	DATE	APPROVED
		CUSTOMER DRAWING		

LVD/SE SCHEMATIC



RECOGNIZED UNDER THE COMPONENT PROGRAM OF UNDERWRITERS LABORATORIES INC., FILE No. E123634.

CERTIFIED BY CANADIAN STANDARDS ASSOCIATION, FILE No. LR 53826.



UNLESS OTHERWISE SPECIFIED DIMENSIONS ARE IN INCHES TOLERANCE ON		DRAWN: J LaShier CHECKED: APPROVED: APPROVED:	SIGNATURES: J LaShier DATE: 11/99	Amphenol Interconnect Products 20 VALLEY ST. ENDICOTT, NY 13760 PHONE (888) 275-2472 FAX (607) 786-4311
CAD DRAWING			SIZE: D SCALE: 2 / 1	SHEET 1 OF 1

TERMINATOR ASSEMBLY, SCSI VHDCI LVD/SE

501610001