

ATTENUATORS

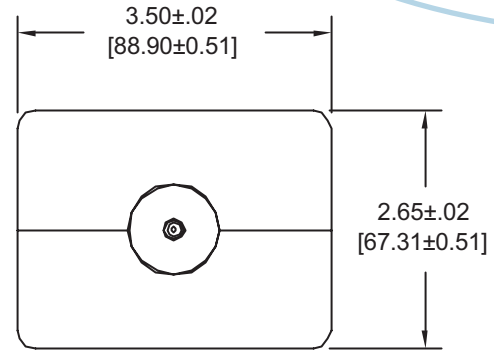
SMA, up to 18 GHz, 50 Watts



SPECIFICATIONS:

Models: XXB50W-XX, XXB50W-XXF, XXB50W-XXM

Electrical:			
Frequency Range	DC - 18.0 GHz		
Standard Freq. Values	2.5, 6, 12.4 & 18 GHz		
Standard dB Values*	3, 6, 10, 20, 30 & 40 dB		
Attenuation Accuracy	DC - 6 GHz	6 - 12.4 GHz	12.4 - 18 GHz
3, & 6 dB	±0.75 dB	±0.75 dB	±0.75 dB
10 & 20 dB	±0.75 dB	±0.75 dB	±1.00 dB
30 dB	±0.75 dB	±1.00 dB	±1.25 dB
40 dB	±1.00 dB	±1.25 dB	±1.50 dB
VSWR			
DC - 6 GHz	1.25:1 Max.		
6 - 12.4 GHz	1.35:1 Max.		
12.4 - 18 GHz	1.45:1 Max.		
Input Power	50 Watts Avg. @ 25°C		
	Derated Linearly to 10 Watts @ +125°C		
Peak Power	500 Watts Max.		
	(5uSec Pulse, .05% Duty Cycle)		
Impedance	50 Ohms		
Operating Temp Range	-65°C to +125°C		
Mechanical:			
SMA Connectors	Passivated Stainless Steel		
	Mates with MIL-STD-348		
Conductors	Gold Plated Beryllium Copper		
Housing	Anodized Aluminum		



END VIEW
TYPICAL

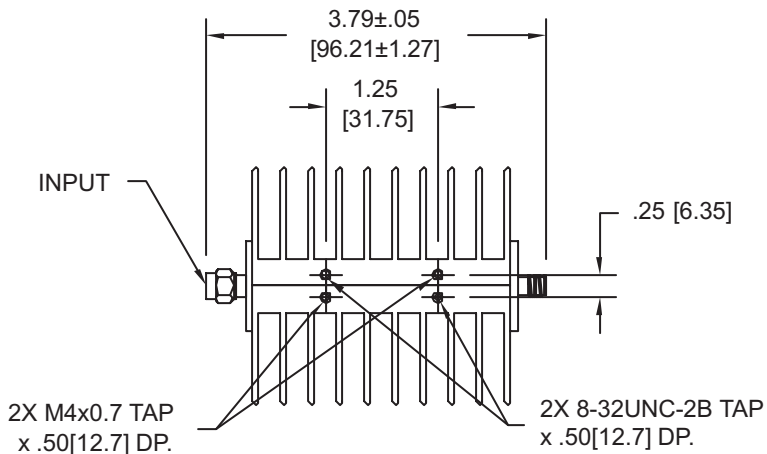
Units must be Mounted in such a way as to Allow for Free Air Flow Around fins to Insure Performance

Note: Units are Unidirectional, Therefore Input Connector MUST be Specified & will be Indicated on Unit

Model Number: **XXB50W-XX**
Male/Female Connectors
Length: 3.79 ±.05 [96.1 ±1.3]
Pictured

Model Number: **XXB50W-XXF**
Female/Female Connectors
Length: 3.66 ±.05 [92.8 ±1.3]

Model Number: **XXM50W-XXM**
Male/Male Connectors
Length: 3.92 ±.05 [99.4 ±1.3]



HOW TO ORDER:

Model Number: **XXB50W-XXY**

Freq. Range 2 = DC - 2.5 GHz 6 = DC - 6 GHz 12 = DC - 12.4 GHz 18 = DC - 18 GHz	Connector Configuration = Male/Female (Male input) F = Fem/Fem M = Male/Male FM = Female/Male (Female Input)
---	--

dB Value

Ordering Examples:

Model Number: **18B50W-20**
DC - 18 GHz; 20 dB; SMA - Male/Fem (Male Input)

Model Number: **6B50W-02F**
DC - 6 GHz; 2 dB; SMA - Fem/Fem

Model Number: **2B50W-10FM**
DC - 2.5 GHz; 10 dB; SMA - Fem/Male (Female Input)

Note: Dimensions in Brackets are Expressed in Millimeters and are for Reference Only.
Design specifications are subject to change without notice.
Contact factory for technical specifications before purchasing or use.

XXB50W-XX: REV E

