

DASH NO.	M CODE	MADE FROM
----------	--------	-----------

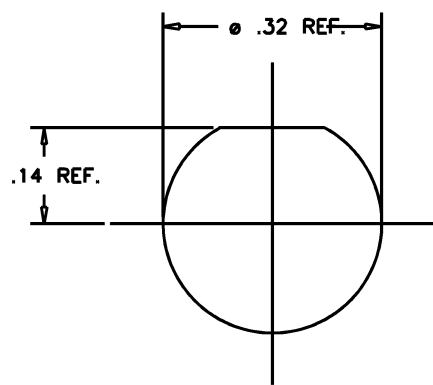
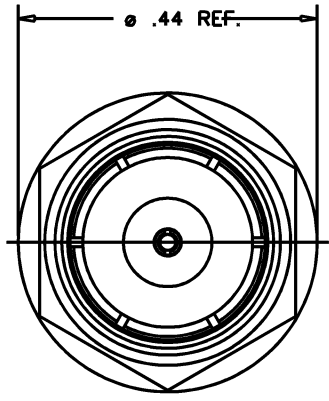
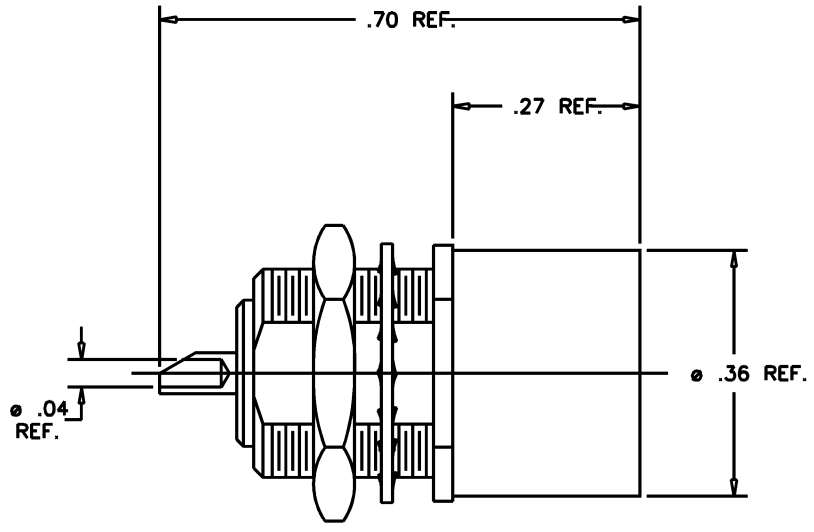
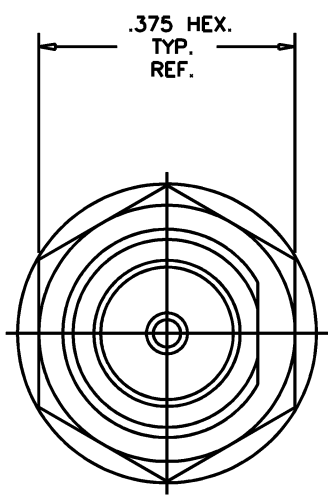
# GSD

2604-1-4

### REVISIONS

ISSUE	CHANGES
0	ER 39919 DCT 5/4/7

2604-1-4SD



MOUNTING HOLE

# GSD

#### NOTES:

- INTERFACE PER KINGS STANDARD, ES-10-7.
- MARK PACKAGE: KINGS 2604-1-4  
YRWK (DATE CODE)
- MATERIALS:  
INSULATOR: TEFLON, ASTM-D4894  
CONTACT SPRING, BERYLLIUM COPPER, ASTM-B194  
LOCKWASHER, PHOSPHORUS BRONZE, ASTM-B-103  
ALL OTHER METAL PARTS: BRASS, ASTM-B-16
- FINISHES:  
ALL METAL PARTS: GOLD PLATE PER ASTM-B488 OVER NICKEL  
UNDERPLATE PER SAE-AMS-QQ-N-290, OVER  
COPPER STRIKE.
- ELECTRICAL CHARACTERISTICS:  
NOMINAL IMPEDANCE: 75 OHMS  
WORKING VOLTAGE: 500 VRMS  
FREQUENCY RANGE: DC TO 3.0 GHz

SCALE 5 : 1

APPROX SURFACE AREA N/A

USED ON

REF: EQR 952 & E-20363

**SMZ, PUSH-ON  
BULKHEAD RECEPTACLE**

DRAWN J. KENNEDY DATE 07/20/05

DESIGN J. KENNEDY DATE 07/19/05

APPR. DATE



ROCK HILL, SOUTH CAROLINA 29730

2604-1-4