

Device connector, front mounting - RC-19P1N12231G - 1602508

Please be informed that the data shown in this PDF Document is generated from our Online Catalog. Please find the complete data in the user's documentation. Our General Terms of Use for Downloads are valid (<http://phoenixcontact.com/download>)




Device connector, front mounting, RC, straight, shielded: yes, Screw locking, M23, No. of pos.: 16+3, Direction of rotation: Standard, type of contact: Pin, Solder connection, Flat gasket, 4x Ø 3.2, coding:N

The figure shows the 12-pos. product version



Key Commercial Data

Packing unit	40 pc
GTIN	 4 046356 382014
GTIN	4046356382014

Technical data

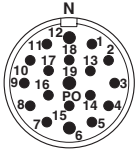
Environmental Product Compliance

China RoHS	Environmentally Friendly Use Period = 50 years
	For information on hazardous substances, refer to the manufacturer's declaration available under "Downloads"

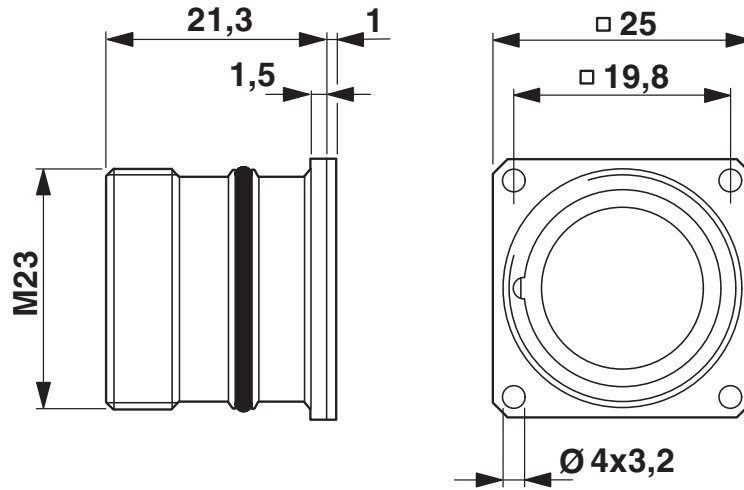
Drawings

Device connector, front mounting - RC-19P1N12231G - 1602508

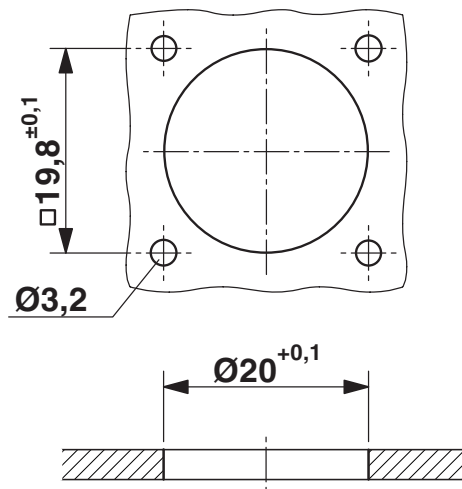
Schematic diagram



Dimensional drawing



Dimensional drawing



Classifications

eCl@ss

eCl@ss 4.0	27260700
eCl@ss 4.1	27260700
eCl@ss 5.0	27260700
eCl@ss 5.1	27260700
eCl@ss 6.0	27279200
eCl@ss 7.0	27440103
eCl@ss 9.0	27440102

Device connector, front mounting - RC-19P1N12231G - 1602508

Classifications

ETIM

ETIM 3.0	EC001121
ETIM 4.0	EC001121
ETIM 6.0	EC001121
ETIM 7.0	EC001121

UNSPSC

UNSPSC 6.01	43172015
UNSPSC 7.0901	43201404
UNSPSC 11	43172015
UNSPSC 12.01	43201404
UNSPSC 13.2	39121413
UNSPSC 19.0	39121413

Phoenix Contact 2022 © - all rights reserved
<http://www.phoenixcontact.com>

PHOENIX CONTACT GmbH & Co. KG
Flachsmarktstr. 8
32825 Blomberg
Germany
Tel. +49 5235 300
Fax +49 5235 3 41200
<http://www.phoenixcontact.com>