
Fiber Optic “Light to Logic” Receiver with Clock Recovery

Technical Data

RGR2622

Features

- **Light to Logic 20-Pin DIP Receiver Offers ECL Compatibility**
- **Sensitivity -31 dBm**
- **Phase-Locked Loop (PLL) Timing Recovery Circuit**
- **Meets All SONET Jitter Requirements (CCITT G.958)**
- **Single +5 V Supply, Typically <1.00 W**
- **SONET/SDH Compliant**

Applications

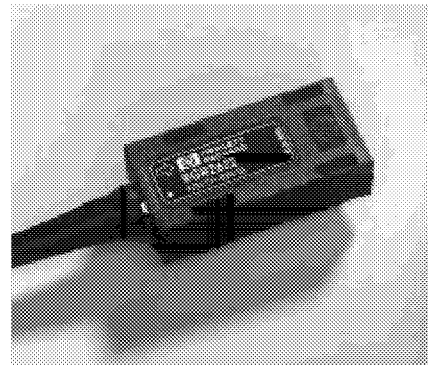
- **Telecommunication Networks**
- **SONET OC12 and SDH STM4 Compatible**
- **Local and Metropolitan Area Networks**
- **ATM Single Mode Public Network**
- **Military Communications and Control Systems**
- **Digital Cable TV Networks**

Description

The RGR2622 receiver provides optical signal conversion and processing. It converts 1200 nm to 1600 nm wavelength lightwave information into an electrical signal at data rates of 622 Mb/s.

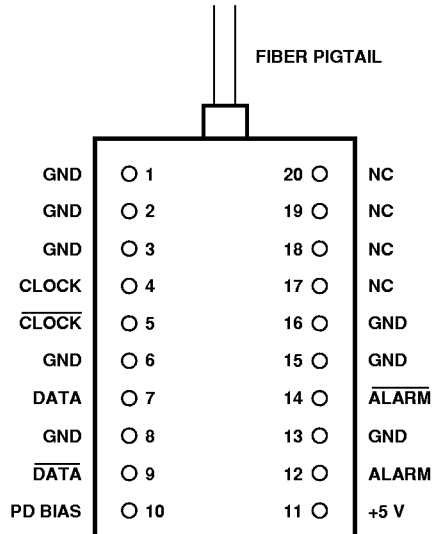
Each receiver contains an InGaAs PIN photodiode, a high sensitivity, wide dynamic range transimpedance amplifier, capacitively coupled to a PLL based clock recovery circuit. The clock and data outputs are retimed complementary PECL.

A complementary CMOS compatible low light alarm is also provided.



Connection Diagram

Top View



Pin Descriptions

Pins 1, 2, 3, 6, 8, 13, 15, 16, GND:

These pins should be connected to the circuit ground.

Pins 4, 5, CLOCK, CLOCK:

These pins provide complementary PECL CLOCK and CLOCK outputs.

Pins 7, 9, DATA, DATA:

These pins provide complementary PECL DATA and DATA outputs.

The RGR2622 DATA output is noninverting, an optical pulse causes the DATA output to go to

the PECL logic high state (+4 V nominal).

Pin 10, PD Bias:

This pin must be connected to any voltage from 0 V (GND) to -5 V. This provides the photodiode bias. The current drawn is directly proportional to the average received photocurrent.

$$I = \text{Responsivity} \times \text{Mean Power.}$$

The Responsivity will be between 0.8 A/W and 1.0 A/W.

Pin 11, +5 V:

This pin should be connected to +5 V supply. The network shown below should be placed as close as possible to pin 11.

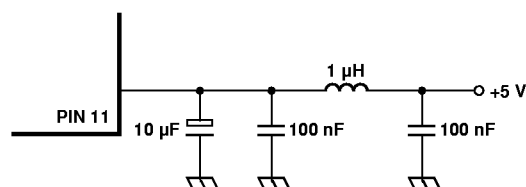
Pins 12, 14, ALARM, ALARM:

These pins provide complementary ALARM and ALARM outputs. This is the low light alarm. ALARM goes to a logic low (CMOS compatible) state when the optical power drops below the threshold level (insufficient optical power).

The optical power must increase to a higher level than the level where the alarm went low before ALARM will return to a logic high. This difference is the alarm hysteresis.

Pins 17, 18, 19, 20 NC:

These pins are not connected.



Functional Description

Design

The receiver contains an InGaAs photodetector, transimpedance amplifier and interface amplifier circuit, including a clock recovery and data retiming function. It is designed with a multimode fiber pigtail to allow maximum flexibility in connector options.

The interface amplifier is ac coupled to the preamplifier circuit.

Terminating the Outputs

The data outputs of the RGR2622 are PECL compatible. Care should be taken to match termination impedances to the interconnect to minimize reflection effects. In order to balance the drive currents drawn from the RGR2622 all serial data outputs (DATA and $\overline{\text{DATA}}$, CLOCK and

$\overline{\text{CLOCK}}$) should be terminated identically, even if only one output is used.

This will lower the power supply noise generated by the RGR2622 and improve performance at low optical input power levels.

Power Supplies

The RGR2622 will operate to specifications with a single +5 V power supply (Pin 10 grounded). The -5 V pin bias is provided to maintain functional compatibility with second sources.

Circuit Layout

The RGR2622 uses very high bandwidth circuitry to achieve its high level of performance. Care must be taken to ensure stable operation. The use of ground planes and transmission line interconnects is required. The use of a standard evaluation board is

highly recommended for those users who are not familiar with these techniques.

Signal traces should conform to ECL design rules to prevent reflections and ringing from degrading performance. Useful guidelines are contained in ECL manufacturer design manuals.

Manufacturing

The fiber pigtail on the device requires normal fiber handling considerations. Care should be taken to avoid tight bends as well as excessive tension on the fiber pigtail.

The allowable temperature range for the RGR2622 is limited by the material used in the pigtail. Exposure to temperatures over +85°C is not recommended. Low profile sockets or hand soldering are recommended for this part.

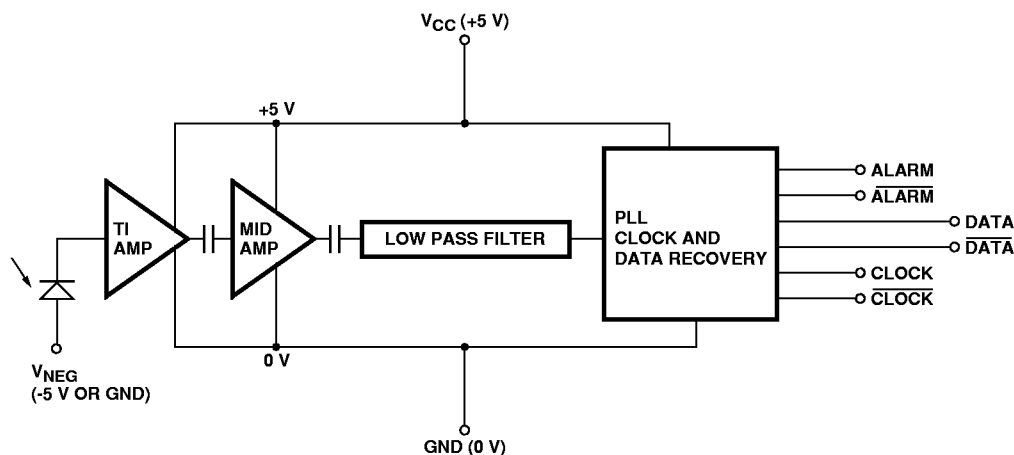


Figure 1. Block Diagram.

Performance Specifications

Absolute Maximum Ratings

Absolute maximum limits mean that no catastrophic damage will occur if the product is subjected to these ratings for short periods, provided that each limiting parameter is in isolation and all other parameters have values within the performance specification. It should not be assumed that limiting values of more than one parameter can be applied to the product at the same time.

Parameter	Symbol	Minimum	Maximum	Units	Note
Supply Voltage	V _{CC}	-0.5	+5.5	V	1
Supply Voltage	V _{NEG}	-10	+0.5	V	1

Environmental Parameters

Parameter	Symbol	Minimum	Maximum	Units	Note
Operating Temperature	-	-40	+85	°C	-
Storage Temperature	-	-40	+85	°C	-
Humidity	-	-	85	%RH	-

Electrical Parameters (-40°C to +85°C)

Parameter	Symbol	Minimum	Maximum	Units	Note
Supply Voltage	V _{CC}	4.75	5.25	V	-
V _{CC} Supply Current	-	-	250	mA	4
DATA Output Level (high)	-	3.8	4.15	V	2, 3
DATA Output Level (low)	-	3.1	3.5	V	2, 3
ALARM Output Level (high)	V off	4.5	5.0	V	3
ALARM Output Level (low)	V on	0	0.5	V	3

Notes:

1. On an RGR2622 V_{CC} of -0.5 V and V_{NEG} of +0.5 V may not be applied simultaneously.
2. Output terminated to (V_{CC} -2) with 50 Ω load or equivalent.
3. Output voltages are for V_{CC} = 5.0 V.
4. Outputs not loaded.

Optical Parameters (-40°C to +85°C)

Parameter	Symbol	Minimum	Typical	Maximum	Units	Note
Wavelength	-	1200	-	1600	nm	-
Receiver Sensitivity	-	-	-32.5	-31	dBm	1
Maximum Input Power	-	-7	-4	-	dBm	-
Alarm ON	-	-40	-	-31.5	dBm	-
Alarm OFF	-	-	-	-31	dBm	-
Hysteresis	-	0.5	-	6	dB	-
Alarm Response Time	-	-	-	600	μS	-
Reliability Target	-	-	-	2000	FTT	-

Jitter Tolerance	ITU G.958 Compliant
Jitter Transfer	ITU G.958 Compliant
Jitter Generation	ITU G.958 Compliant

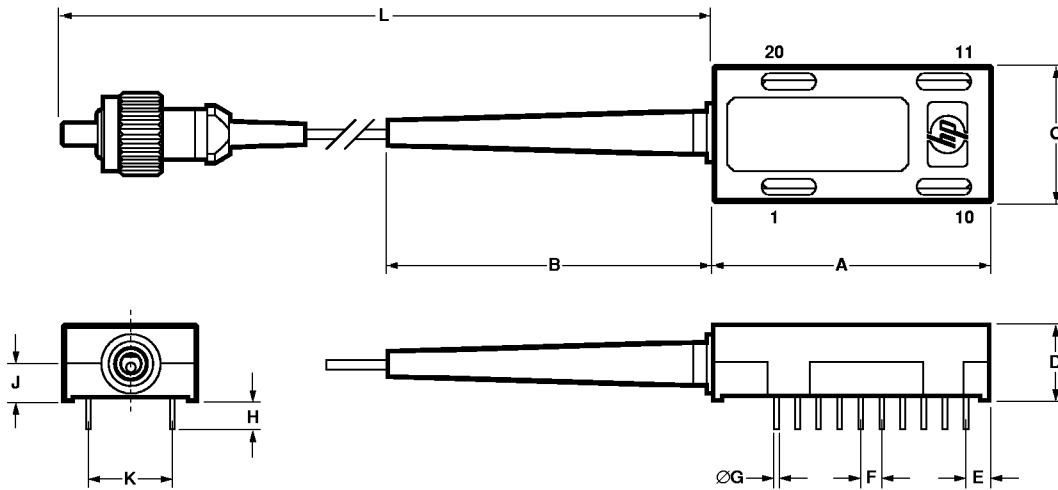
Note:

1. At a BER of 1×10^{-10} , 2^{23-1} PRBS pattern NRZ data at the line rate with 10:1 extinction ratio. EOL.

Fiber Parameters

Fiber Pigtail	Typical	Units
Core Diameter	50	microns
Cladding Diameter	125	microns
Secondary Coating Diameter	900	microns

Drawing Dimensions



DIM.	MIN.	NOM.	MAX.
A	32.9	-	33.2
B	39.5	40	40.5
C	16.0	-	16.3
D	-	-	9.27
E	2.6	-	2.95
F	-	2.54	-
ØG	-	0.46	-
H	2.7	-	3.2
J	-	-	4.64
K	-	10.16	-
L	400	-	1220

ALL DIMENSIONS IN MILLIMETERS

Ordering Information

RGR2622 - XX

Connector:
 FP = FC/PC Polish
 ST* = ST
 SC = SC
 DN = DN

Allowable part numbers
 RGR2622

Class I Laser Product: This product conforms to the applicable requirements of 21 CFR 1040 at the date of manufacture.
 Date of Manufacture: _____
 Hewlett-Packard Ltd., Whitehouse Rd., Ipswich, England

Handling Precautions

1. The RGR2622 can be damaged by current surges or overvoltage. Power supply transient precautions should be taken.
2. Normal handling precautions for electrostatic sensitive devices should be taken.

www.hp.com/go/fiber

For technical assistance or the location of your nearest Hewlett-Packard sales office, distributor or representative call:

Americas/Canada: 1-800-235-0312 or 408-654-8675

Far East/Australasia: Call your local HP sales office.

Japan: (81 3) 3335-8152

Europe: Call your local HP sales office.

Data subject to change.

Copyright © 1997 Hewlett-Packard Co.

Printed in U.S.A. 5966-0457E (12/97)

*ST is a registered trademark of AT&T.