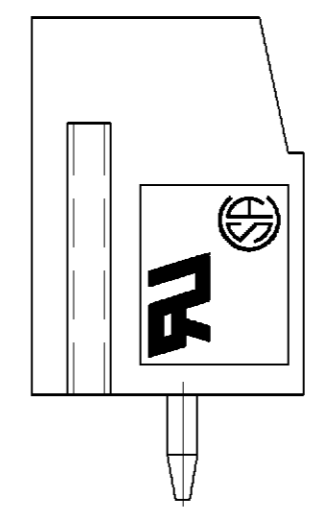
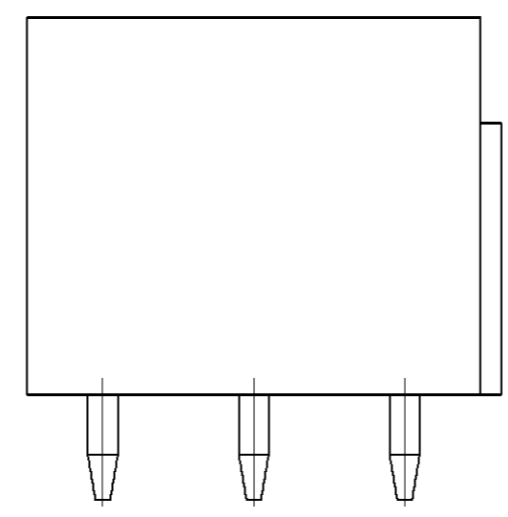
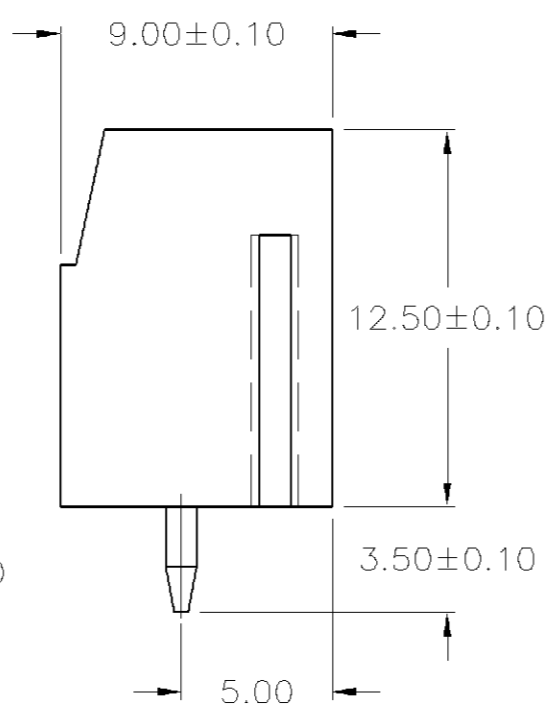
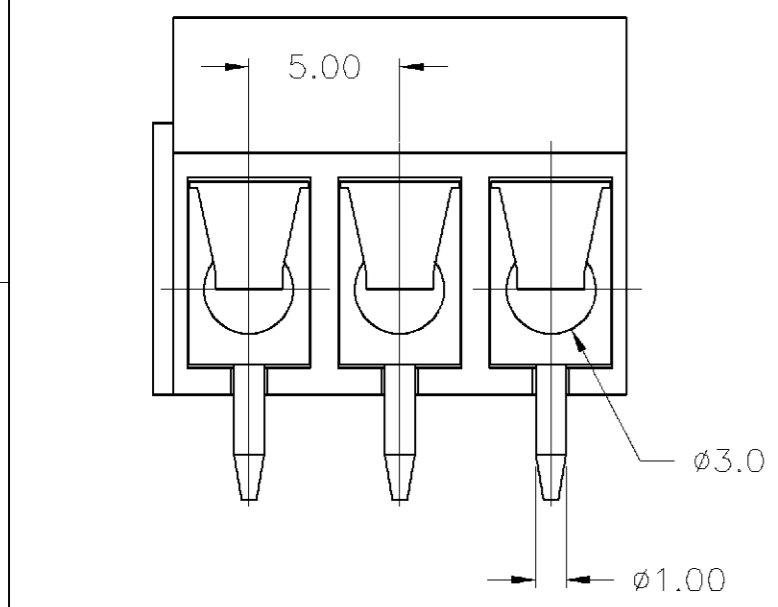
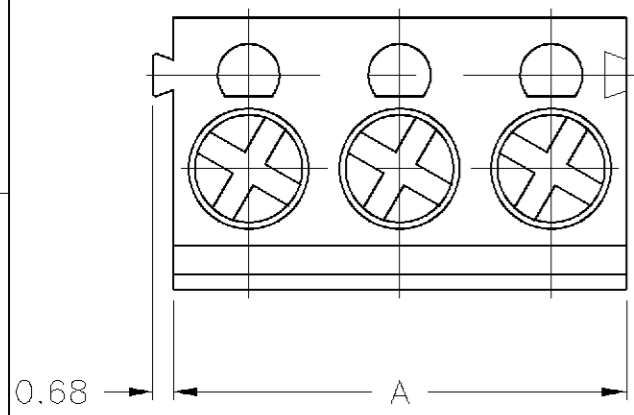


THIS DRAWING IS UNPUBLISHED. RELEASED FOR PUBLICATION
 © COPYRIGHT BY TYCO ELECTRONICS CORPORATION. ALL RIGHTS RESERVED.

LOC	DIST	REVISIONS			
P	LTR	DESCRIPTION	DATE	DWN	APVD
FT	0	B	REVISED PER 0G3B-0233-01	6/12/02	SS DAB

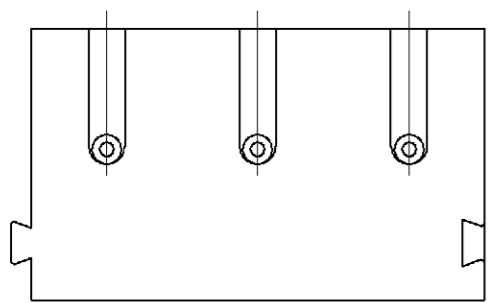
NOTES:

1. ALL DIMENSIONS ARE IN MM.
2. Recommended PC-Board-holes diameter: $\phi 1.20\text{mm}$ to 1.40mm
3. BUCHANAN LOGO TO APPEAR ON HOUSING LOCATION OPTIONAL WHERE SPACE PERMITS.



DIM. A	NO. OF POS.	PART NUMBER
120.00	24	2-796416-4
115.00	23	2-796416-3
110.00	22	2-796416-2
105.00	21	2-796416-1
100.00	20	2-796416-0
95.00	19	1-796416-9
90.00	18	1-796416-8
85.00	17	1-796416-7
80.00	16	1-796416-6
75.00	15	1-796416-5
70.00	14	1-796416-4
65.00	13	1-796416-3
60.00	12	1-796416-2
55.00	11	1-796416-1
50.00	10	1-796416-0
45.00	9	796416-9
40.00	8	796416-8
35.00	7	796416-7
30.00	6	796416-6
25.00	5	796416-5
20.00	4	796416-4
15.00	3	796416-3
10.00	2	796416-2

796416-3 AS SHOWN



THIS DRAWING IS A CONTROLLED DOCUMENT.		DWN E. ZANOLINI 26JAN01	BUCHANAN Tyco Electronics Corporation Harrisburg, PA 17105-3608	
DIMENSIONS: MM		CHK E. ZANOLINI 26JAN01		
TOLERANCES UNLESS OTHERWISE SPECIFIED:		APVD D. BIEVENOUR 26JAN01	NAME TERMINAL BLOCK PCB MOUNT, STRAIGHT SIDE WIRE ENTRY W/INTERLOCK, 5.00mm PITCH (LT)	
0 PLC $\pm -$ 1 PLC ± 0.3 2 PLC ± 0.25 3 PLC $\pm -$ 4 PLC $\pm -$ ANGLES $\pm -$		PRODUCT SPEC -	SIZE A3	
MATERIAL -		FINISH -	CAGE CODE 00779	DRAWING NO C-796416
		WEIGHT -	RESTRICTED TO -	
		CUSTOMER DRAWING		SCALE 4:1 SHEET 1 OF 2 REV B

THIS DRAWING IS UNPUBLISHED. RELEASED FOR PUBLICATION
 © COPYRIGHT BY TYCO ELECTRONICS CORPORATION. ALL RIGHTS RESERVED.

LOC	DIST	REVISIONS			
P	LTR	DESCRIPTION	DATE	DWN	APVD
FT	0	B	SEE SHEET 1	-	-

1. Application and Features:

- 1-1. This is the most standard version which is an economic and reliable solution for Cable to PC-Board connection .
- 1-2. Standard sizes are 2 and 3 way-blocks, but every number of contact can be combined, by simply plugging them together and can be ordered as required**
- 1-3. Holes for test-pins .
- 1-4. With wire guard for wire protection (for that the screw doesn't press directly on the wire)

- 2-2-2. Contact resistance: 20mΩ (Max).
- 2-2-3. Insulation resistance: 5000MΩ /1000V.
- 2-2-4. Withstanding Voltage: 1500VAC (1min).
test time =60sec/1pcs
- 2-2-5. Operation Voltage: 300 VAC.
- 2-2-6. Wire Range: 14-22 AWG.

2. Technical Data:

- 2-1. Material:
 - 2-1-1. HOUSING: NY - FR15
UL 94 V-0 (Blue).
 - 2-1-2. Metal Housing: Brass(Cu Zn)
Cu,Tin plated.
 - 2-1-3. Screw: Steel galvanized and chromitized.
 - 2-1-4. Wire guard: Stainless steel Tin plated.

2-3. Mechanical:

- 2-3-1. Screw Torque: 4 Kg.cm (Max).
- 2-3-2. Operating temperature: -55°C to +105°C.
- 2-3-3. Solderability: 95% coverage (min).

2-2. Electrical:

- 2-2-1. Current rating: 10 Amps/way max.

THIS DRAWING IS A CONTROLLED DOCUMENT.		DWN E. ZANOLINI 26JAN01	BUCHANAN Tyco Electronics Corporation Harrisburg, PA 17105-3608														
DIMENSIONS: MM		CHK E. ZANOLINI 26JAN01	NAME TERMINAL BLOCK PCB MOUNT, STRAIGHT SIDE WIRE ENTRY W/INTERLOCK, 5.00mm PITCH (LT)														
TOLERANCES UNLESS OTHERWISE SPECIFIED:		APVD D. BIEVENOUR 26JAN01	PRODUCT SPEC -														
<table border="1"> <tr><td>0 PLC</td><td>± -</td></tr> <tr><td>1 PLC</td><td>± -</td></tr> <tr><td>2 PLC</td><td>± 0.08</td></tr> <tr><td>3 PLC</td><td>± -</td></tr> <tr><td>4 PLC</td><td>± -</td></tr> <tr><td>ANGLES</td><td>± -</td></tr> </table>		0 PLC	± -	1 PLC	± -	2 PLC	± 0.08	3 PLC	± -	4 PLC	± -	ANGLES	± -	APPLICATION SPEC -		SIZE A3	CAGE CODE 00779
0 PLC	± -																
1 PLC	± -																
2 PLC	± 0.08																
3 PLC	± -																
4 PLC	± -																
ANGLES	± -																
MATERIAL -		FINISH -		DRAWING NO C-796416													
CUSTOMER DRAWING			WEIGHT -	RESTRICTED TO -	SCALE 1:1												
			SHEET 2 OF 2		REV B												