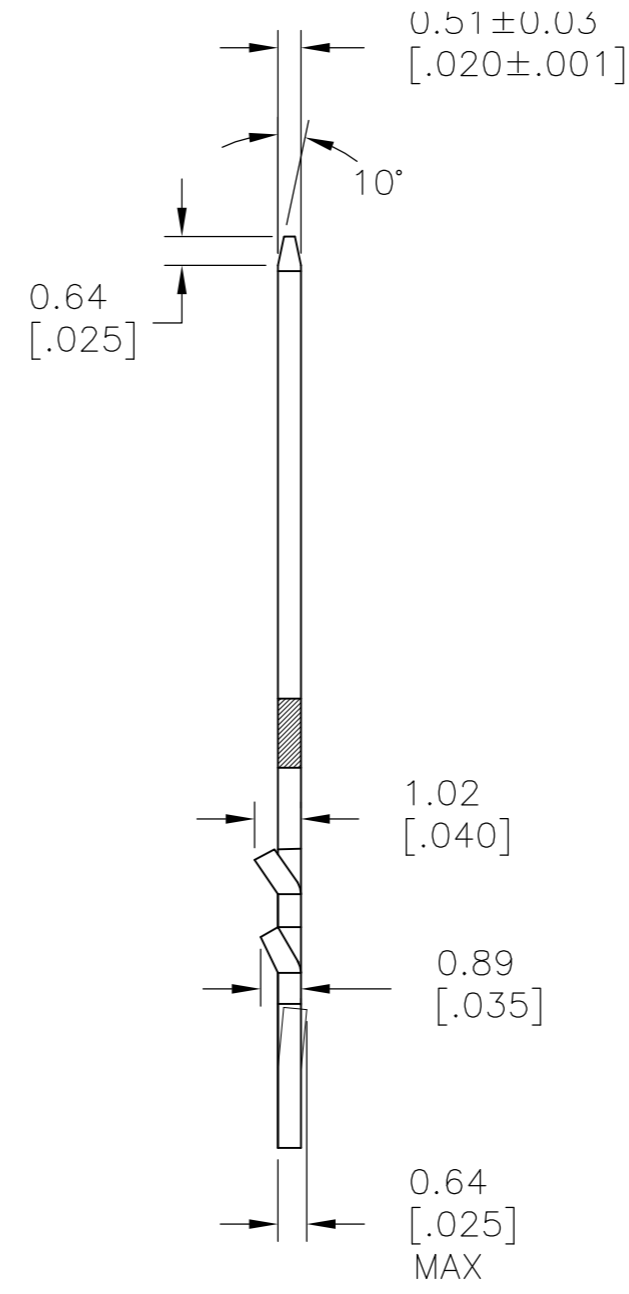
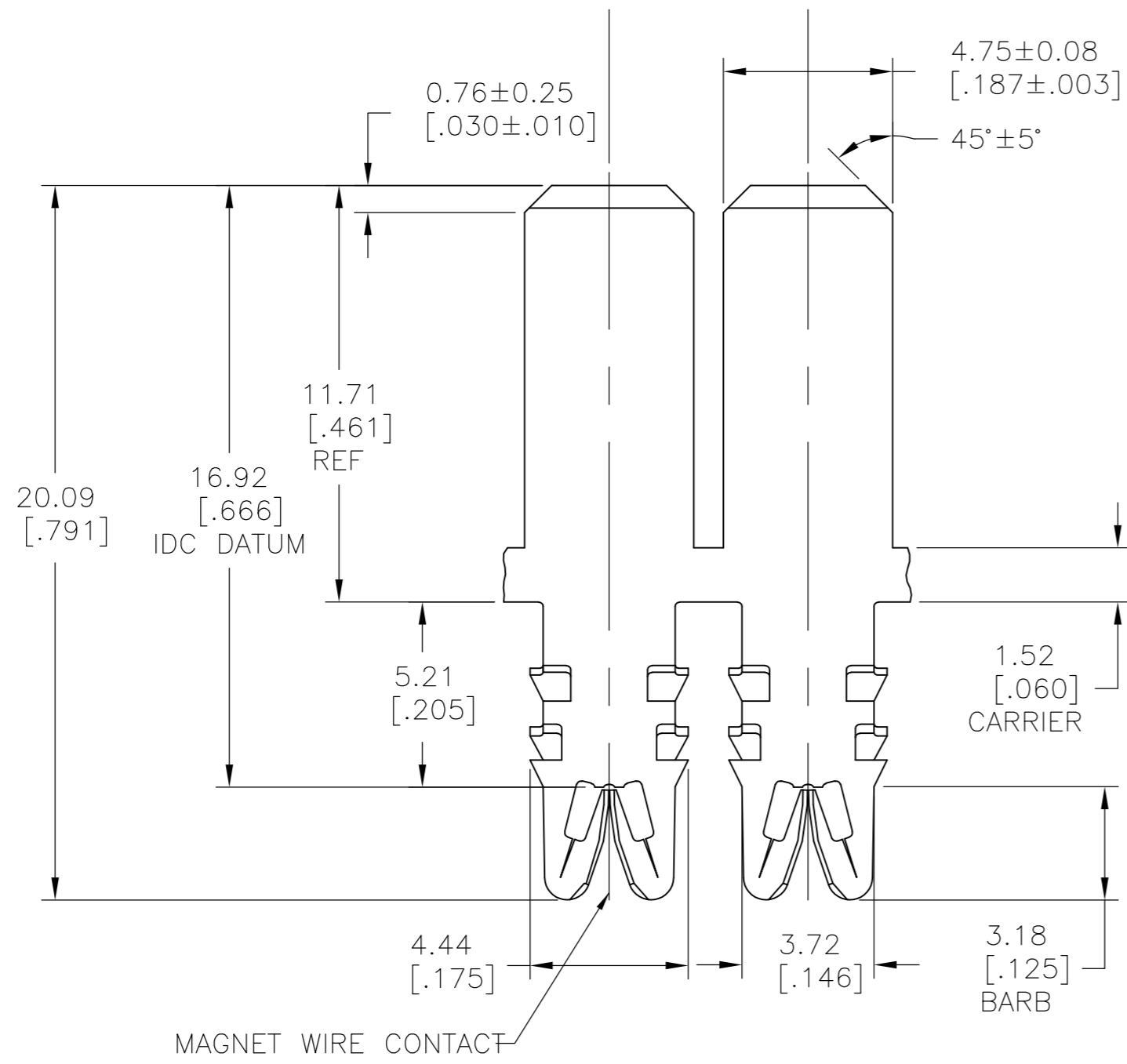
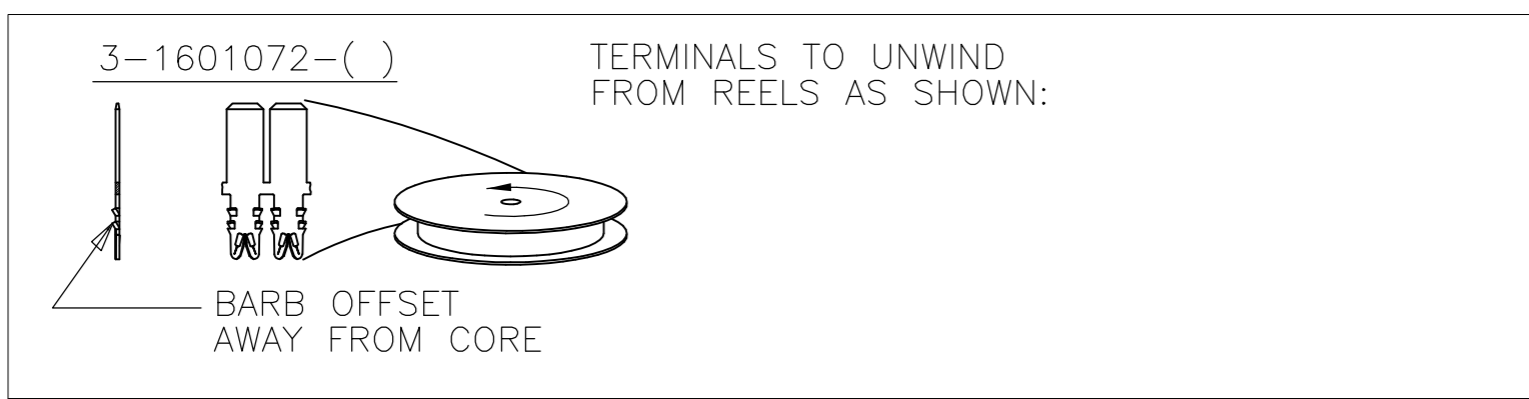
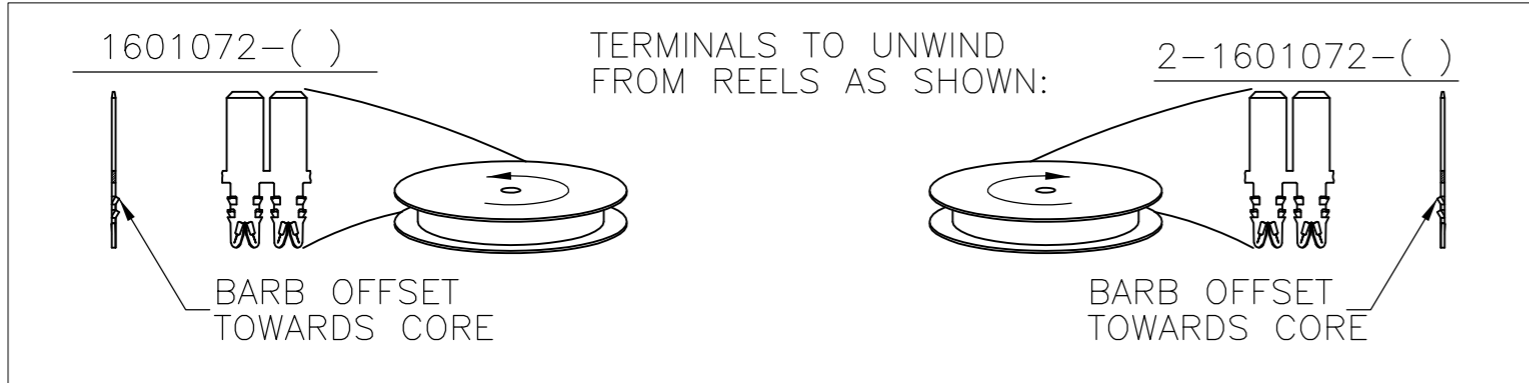
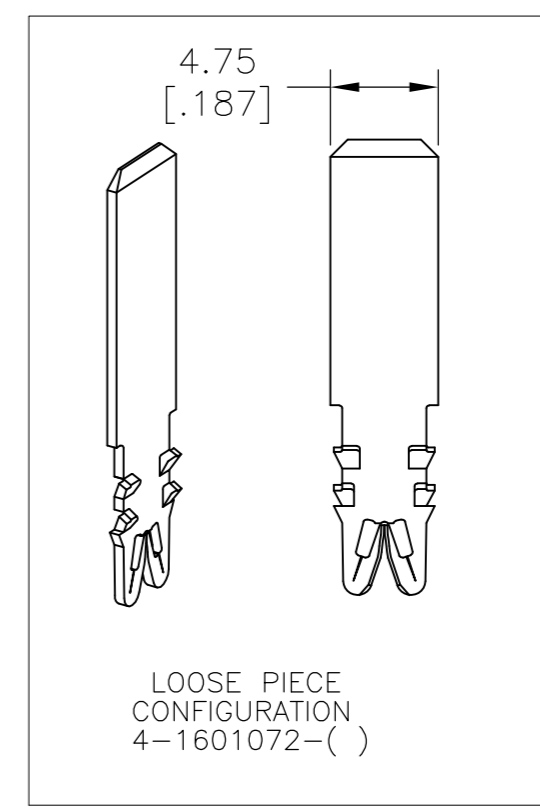


THIS DRAWING IS UNPUBLISHED. RELEASED FOR PUBLICATION
 © COPYRIGHT BY TYCO ELECTRONICS CORPORATION. ALL INTERNATIONAL RIGHTS RESERVED.

LOC	DIST	REVISIONS			
P	LTR	DESCRIPTION	DATE	DWN	APVD
AF	50	E1	REVISED PER ECR-08-024070	26SEP08	HMR GJ



- SPECIFICATIONS:
MAGNET WIRE #18 - #34 AWG,
1.02 [.040] - 0.16 [.006] DIA COPPER.
OTHER SIZES MAY BE ACCOMMODATED,
CONSULT TYCO ELECTRONICS FOR APPROVAL.
- POCKET RECOMMENDATION: #1601425
- TERMINAL APPLICATION TO COMPLY WITH TYCO ELECTRONICS SPECIFICATION 114-13166 FIG 6.
- NOTES:
TERMINALS SUPPLIED ON REELS, CAN BE SUPPLIED LOOSE PIECE,



PRE-TIN PLATE OVER COPPER UNDERPLATE	-	3-1601072-2
PRE-TIN PLATE OVER COPPER UNDERPLATE	131-140-014	2-1601072-2
PRE-TIN PLATE OVER COPPER UNDERPLATE	131-139-014	1601072-2
FINISH	REFERENCE PART NUMBER	TE PART NUMBER
THIS DRAWING IS A CONTROLLED DOCUMENT.	DWN J.WELLER 11JAN2002 CHK M.FEHER 11JAN2002 APVD K.RANDOLPH 11JAN2002	Tyco Electronics Corporation Harrisburg, PA 17105-3608
DIMENSIONS: mm [INCHES]	TOLERANCES UNLESS OTHERWISE SPECIFIED:	NAME
	0 PLC ± - 1 PLC ± 0.25[.010] 2 PLC ± 0.13[.005] 3 PLC ± - 4 PLC ± - ANGLES ± 2'	STD. WIRE RANGE TO .187 X .020 MULTI-BARB TAB SIAMEZE TERMINAL
MATERIAL BRASS, FULL HARD	FINISH SEE TABLE	SIZE A2 CAGE CODE 00779 DRAWING NO C=1601072 RESTRICTED TO -
CUSTOMER DRAWING		SCALE 6:1 SHEET 1 OF 1 REV E1