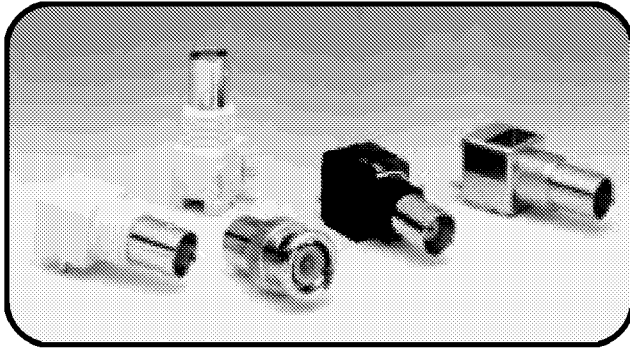


BNC CONNECTORS

**MBNC Series
Right Angle, Vertical,
Terminators, and Filtered
Board Level Connectors**



MAXCONN

**Performance Specifications
Materials and Finish**

Housing/Shield: Nickel plated brass 100 microinch Insulator

Outer Body: Glass filled polyester UL90V-0

Inner Insulator: Polypropylene

Contact

Female Contact: Phosphor bronze, gold plated

Grounding Terminal: Nickel plated brass

Electrical Characteristics

Normal Impedance: 50 ohm

Insulation Resistance: 5000 Megohms minimum

Dielectric Withstanding Voltage: 1500 Vrms

Operating Voltage: 500 minimum

Contact resistance: 3.0 mohms maximum

Mechanical Characteristics

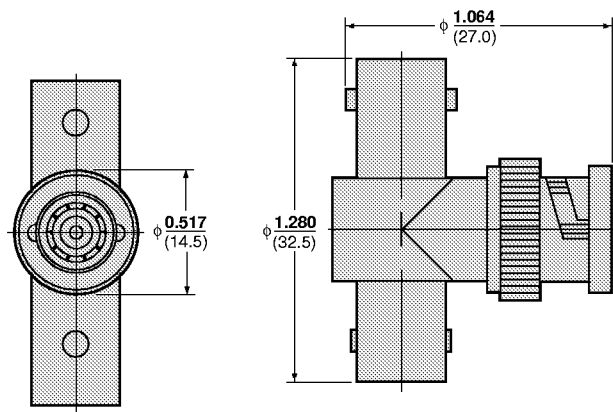
Durability: 500 mating cycles

Ceramic Capacitor: 4700PF @ 10% x 2 (9400PF)

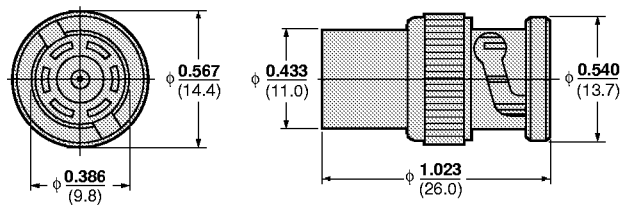
Temperature Rating: -40° C to + 85° C

**MBNC-T-2
50 ohm 'T', F-M-F Adapter**

DIMENSIONS



**MBNC-2TT1 – 50 ohm
1/2 Watt 5% 75 ohm
DIMENSIONS 93 ohm**



BNC CONNECTORS

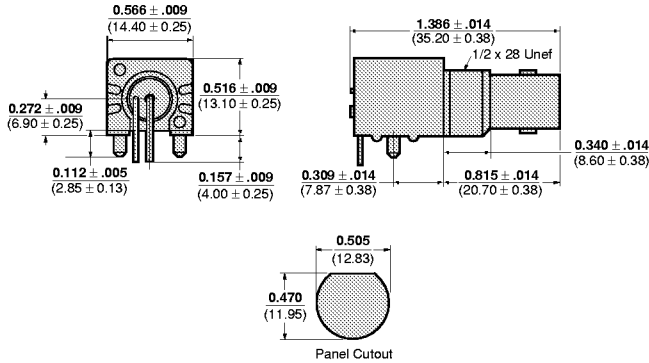
MAXCONN

MBNC-RW-1

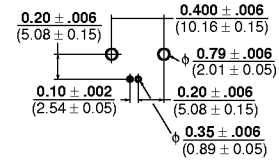
50 ohm, Right Angle, Low Profile

.516 Height, Thru Hole (White body) (Black optional)

DIMENSIONS



PCB LAYOUT

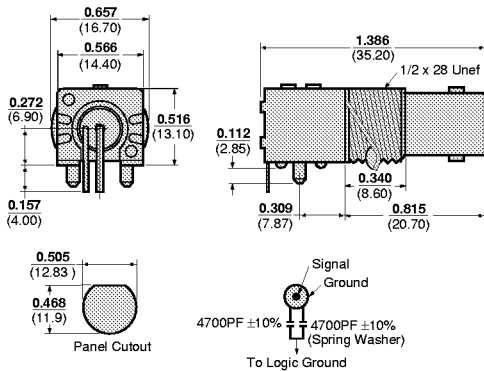


MBNCF-RB-2

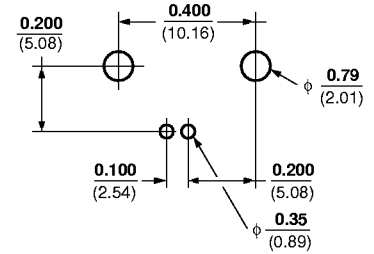
50 ohm, Right Angle, Filtered

9400pf, .516 Height, Thru Hole (Black body standard)

DIMENSIONS



PCB LAYOUT

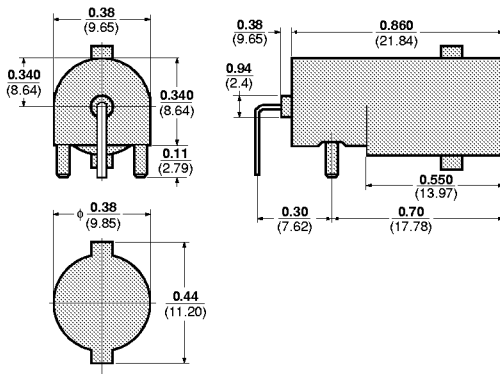


MBNC-R-1

50 ohm, Right Angle, Low Profile

.340 Height, Non-Insulated, Thru Hole

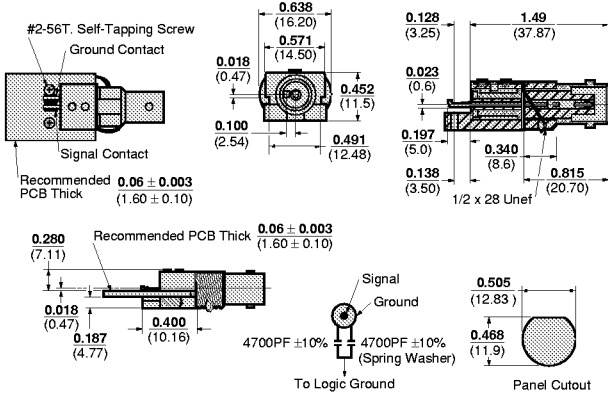
DIMENSIONS



BNC CONNECTORS

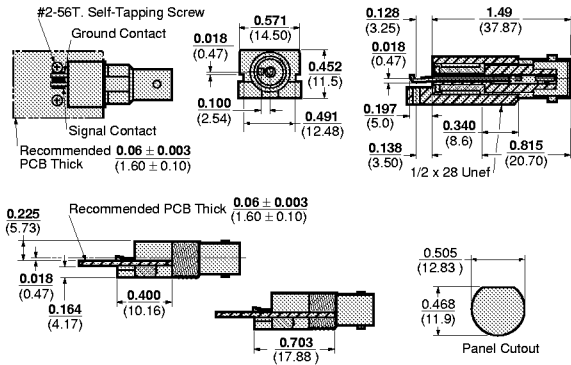
MBNCF-RBS-1
50 ohm, Filtered 9400pf
.515 Height, Surface Mount (Black body)

DIMENSIONS



MBNC-RBS-1
50 ohm, Right Angle
.515 Height, Surface Mount (Black body)

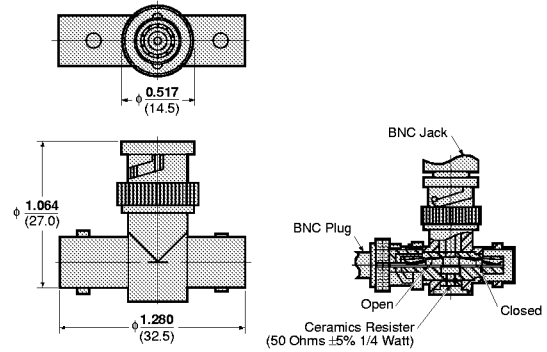
DIMENSIONS



MAXCONN

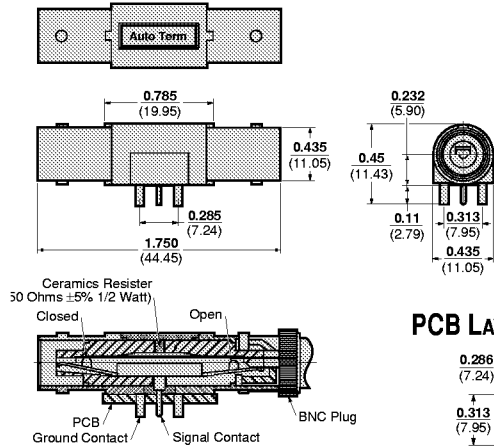
MBNC-T1 Series
50, 75, 93 ohm Adapter 'T', F-M-F

DIMENSIONS



MBNC-TFF-1
50 ohm PCB 'T', F-F Adapter Terminator

DIMENSIONS



PCB LAYOUT

