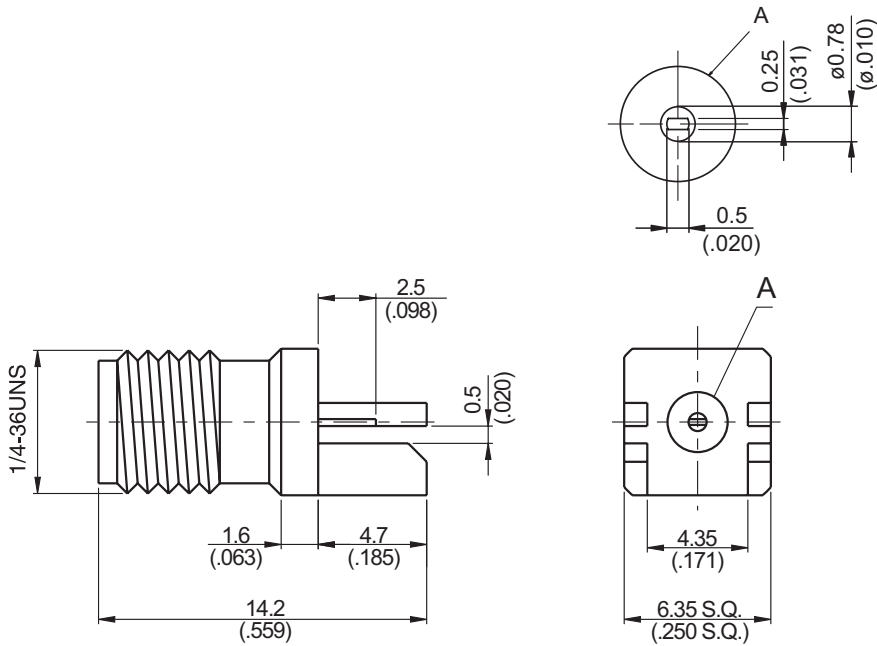


SMA84NDA-0000

SMA Jack P.C.B Mount (End Launch) 50Ω



| Parts       | Material         | Plating (Micro-inch)                  |
|-------------|------------------|---------------------------------------|
| Contact Pin | Beryllium Copper | Gold 20 Over Nickel 50 Over Copper 50 |
| Insulator   | Teflon           |                                       |
| Body        | Brass            | Gold 5 Over Nickel 50 Over Copper 50  |

Weight: 1.52 g

This part number complies with RoHS.

Notice: JYEBAO reserves the right to make modifications deemed appropriate.