

LED[®] 45/48 LED MR16 TrackLED™ Light Bulb

Ideal for use with alternate and renewable energy resources like solar & wind power

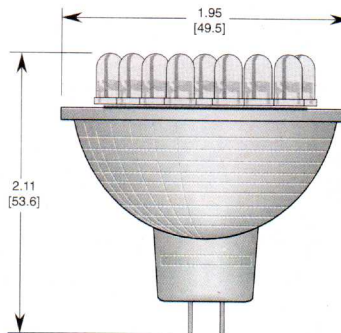
Features

- Easy Installation Using Existing Socket
- LED Operating Life: 100,000+ hrs (10+ years)
- Solid-State, Fast Turn on, No Power Surge
- High Shock/Vibration Resistant
- Major Power Savings
- Voltages Available: 12/14V, 24V, 28V, 120VAC, 240VAC
- Major Reduction in Heat Generation
- Three-Year Lamp Warranty
- Choice of 13 Colors & Infrared



- May not work with dimmer circuits.
- For direct 12VDC line power source applications.
- Transformers must be regulated and the output voltage should not exceed 12VDC.

Dimensions



Viewing Angle Options*

12° to 15°



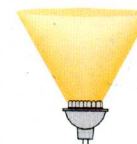
Narrow Angle (N)

20° to 30°



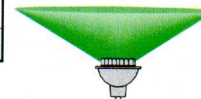
Standard Angle (S)

50° to 60°



Medium Angle (M)

120°



Wide Angle (W)

Part Number	Emitted Color	Input Voltage	Power (Watts) typ	Illumination ** (End Lumens)	Intensity per LED I _v (mcd) typ	λ _p (nm)
MR16-45-0UR-012N	UL RED	12/14V	2-3	90@15°	2000	660
MR16-45-0ER-012S	SP RED	12/14V	2-3	189@22°	4200	639
MR16-45-0OU-012N	SP ORANGE	12/14V	2-3	180@15°	4000	612
MR16-45-0UY-012N	SP YELLOW	12/14V	2-3	168@15°	3750	595
MR16-45-0PY-012S	SP P YELLOW	12/14V	2-3	112@22°	2500	594
MR16-46-0YW-012S	YEL/WHITE	12/14V	3-4	175@20°	3K/6K [‡]	592/8000K [‡]
MR16-48-0IW-012S	INC WHITE	12/14V	3-4	96@20°	2000	4500K [‡]
MR16-48-0CW-012S	COOL WHITE	12/14V	3-4	288@20°	6000	8000K [‡]
MR16-48-2CW-012S	COOL WHITE	12/14V	3-4	192@22°	4000	8000K [‡]
MR16-45-0UG-012N	LIME GREEN	12/14V	3-4	45@15°	1000	570
MR16-48-0AG-012N	AQ GREEN	12/14V	3-4	480@15°	10,000	525
MR16-48-1AG-012N	AQ GREEN	12/14V	3-4	144@15°	3000	525
MR16-48-2AG-012N	AQ GREEN	12/14V	3-4	288@15°	6000	525
MR16-48-0BG-012N	B GREEN	12/14V	3-4	144@15°	3000	505
MR16-48-1BG-012N	B GREEN	12/14V	3-4	48@15°	1000	505
MR16-48-2BG-012N	B GREEN	12/14V	3-4	96@15°	2000	505
MR16-48-0PB-012N	SP BLUE	12/14V	3-4	144@15°	3000	470
MR16-48-1PB-012N	SP BLUE	12/14V	3-4	48@15°	1000	470
MR16-48-2PB-012N	SP BLUE	12/14V	3-4	96@15°	2000	470
MR16-48-00B-012N	UL BLUE	12/14V	3-4	24@15°	500	430
MR16-48-851-012N	INFRARED	12/14V	4-5		12mW [†]	850
MR16-48-881-012N	INFRARED	12/14V	4-5		10mW [†]	880
MR16-48-941-012N	INFRARED	12/14V	4-5		8mW [†]	940

For Other Voltages, Replace -012N with -024N (for 24VDC), -120AN (for 120VAC), -240AN (for 240VAC)

* Replace N in Part Number with Required Viewing Angle Options
N - Narrow (12°) S - Standard (30°) M - Medium (50°) W - Extra Wide (120°)

** 1 End-Lumen is approximately 1 End-Footcandle, measurement for Narrow Angle (N)
(For more information, refer to page 5 "Common Light Measurement Terms")

[†] Infrared LED intensity is shown as typical milliwatt power per steradian

[‡] Color temperature (Kelvin degrees)

Log # 148A Rev 07-2001

Specifications subject to change without notice.

• All Lamps are Bipolar (AC & DC Compatible)

• Three-Year Lamp Warranty

LEDTRONICS, INC.
THE FUTURE OF LIGHT



23105 Kashiwa Court, Torrance, CA 90505
Phone: (800) 579-4875 or (310) 534-1505
Fax: (310) 534-1424
E-mail: webmaster@ledtronics.com
Website: www.ledtronics.com