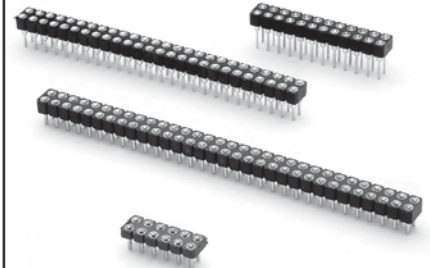


- Series 41X double row strip sockets are on 2,54 grid.
- Various solder pins available (standard, long for multi-layer boards, very low and ultra low). Using Mill-Max pin #'s 1001, 0134, 0501 & 1534.
- Hi-Rel, 4-finger BeCu #30 & #12 clips are rated at 3 amps. See pages 207 & 208 for details.



Ordering Information

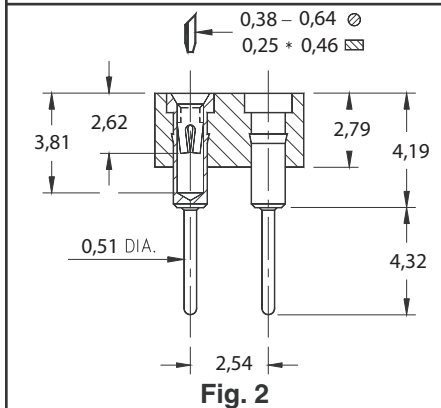


Fig. 1	Series 410...001	Standard Solder Tail
	410-XX-2__-41-001000	Specify # of pins → 02-64

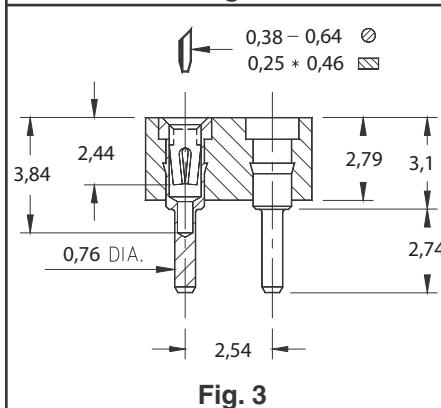


Fig. 2	Series 411...001	Long Solder Tail
	411-XX-2__-41-001000	Specify # of pins → 02-64

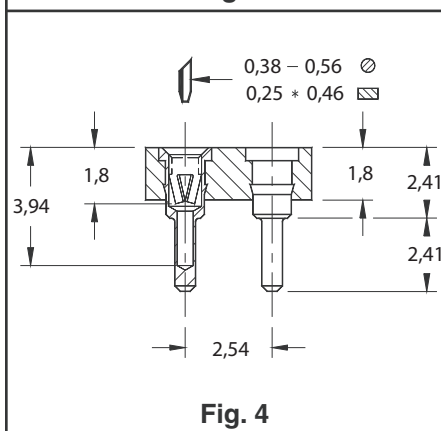


Fig. 3	Series 415...001	Very Low Profile
	415-XX-2__-41-001000	Specify # of pins → 02-64

Fig. 4	Series 415...003	Ultra Low Profile
	415-XX-2__-41-003000000	Specify # of pins → 02-72

(Standard Insulator is High Temperature)

XX=Plating Code
See Below



For RoHS compliance, select \diamond plating code. For the all gold option (XX=13) also change part number from 41X-XX-2XX-41-00X000 to 41X-13-2XX-41-00X100

SPECIFY PLATING CODE XX=	13 \diamond	93	43 \diamond
Sleeve (Pin)	0,25µm Au	5,08µm Sn/Pb	5,08µm Sn
Contact (Clip)	0,76µm Au	0,76µm Au	0,76µm Au