

USB (UNIVERSAL SERIAL BUS) CONNECTORS

FCN-860 SERIES

■ FEATURES

- For USB (Universal Serial Bus) connector.
 - Available in series A and B styles.
- Cable mount plug connector is solder type.
- 2 steps sequential structure.
 - Signal ground.
 - Frame ground.
- Positive latching system prevents plug from disengaging from socket due to vibration.
- The shape of the engagement face prevents mis-insertion.



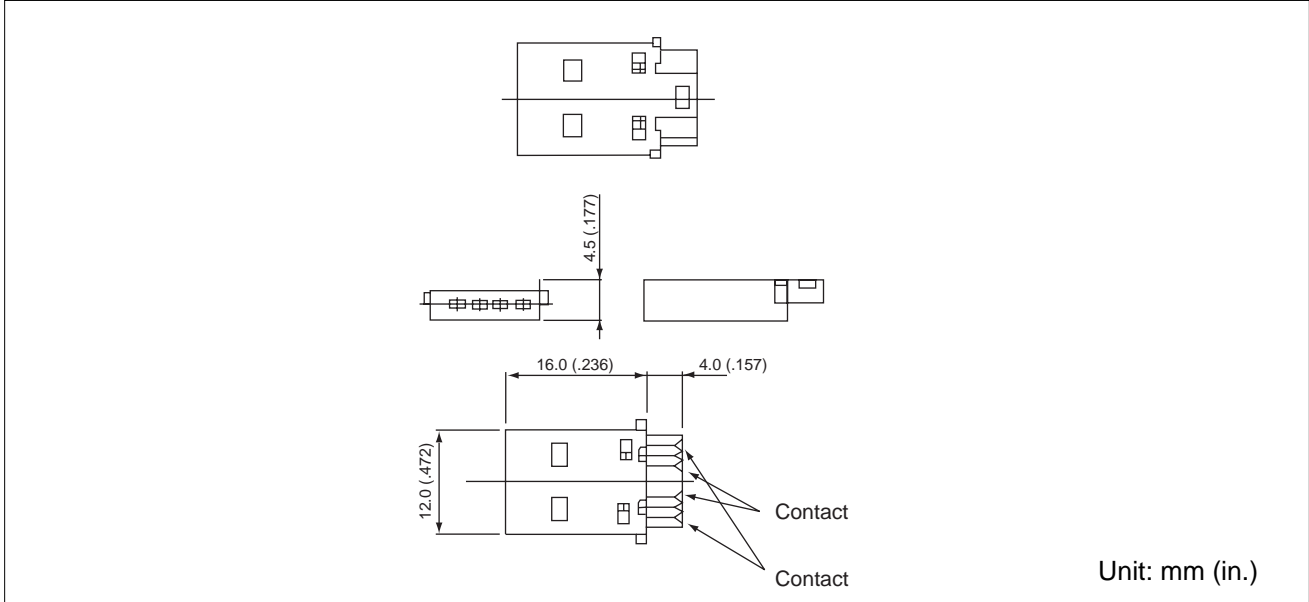
■ SPECIFICATIONS

Item	Specification
Operating temperature range	0°C to +40°C (Operation ambient air temperature)
Current rating	1A DC Max. (The temperature rise should be under 30° C)
Voltage rating	30V AC (rms)
Contact resistance	30 mΩ max. (20mV DC, 10mA)
Insulation resistance	500V DC, 1000MΩ min.
Dielectric withstand voltage	750V AC

FCN-860 Series (USB Connectors)

SERIES "A"

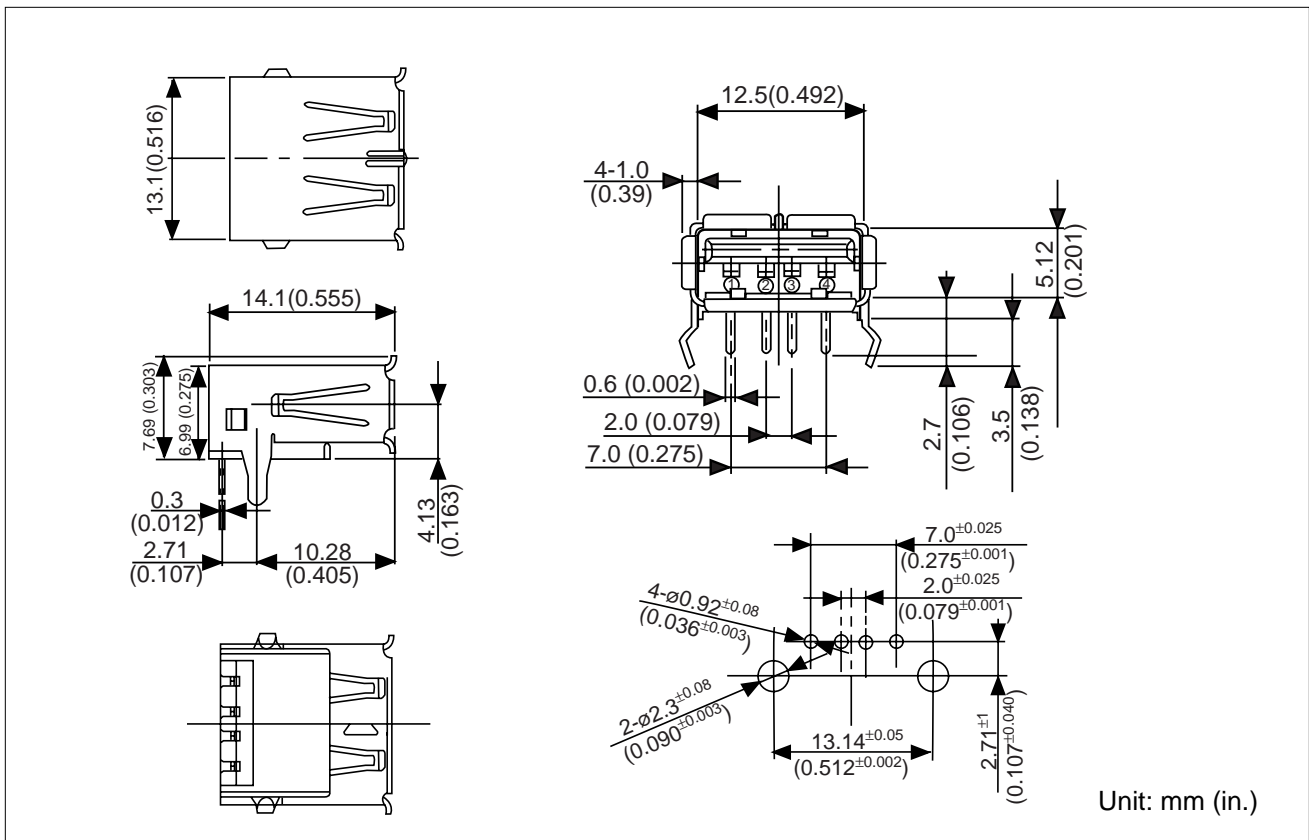
■ PLUG, SOLDER



■ PART NUMBER

FCN-861P004-G/A

■ SOCKET, SINGLE SLOT



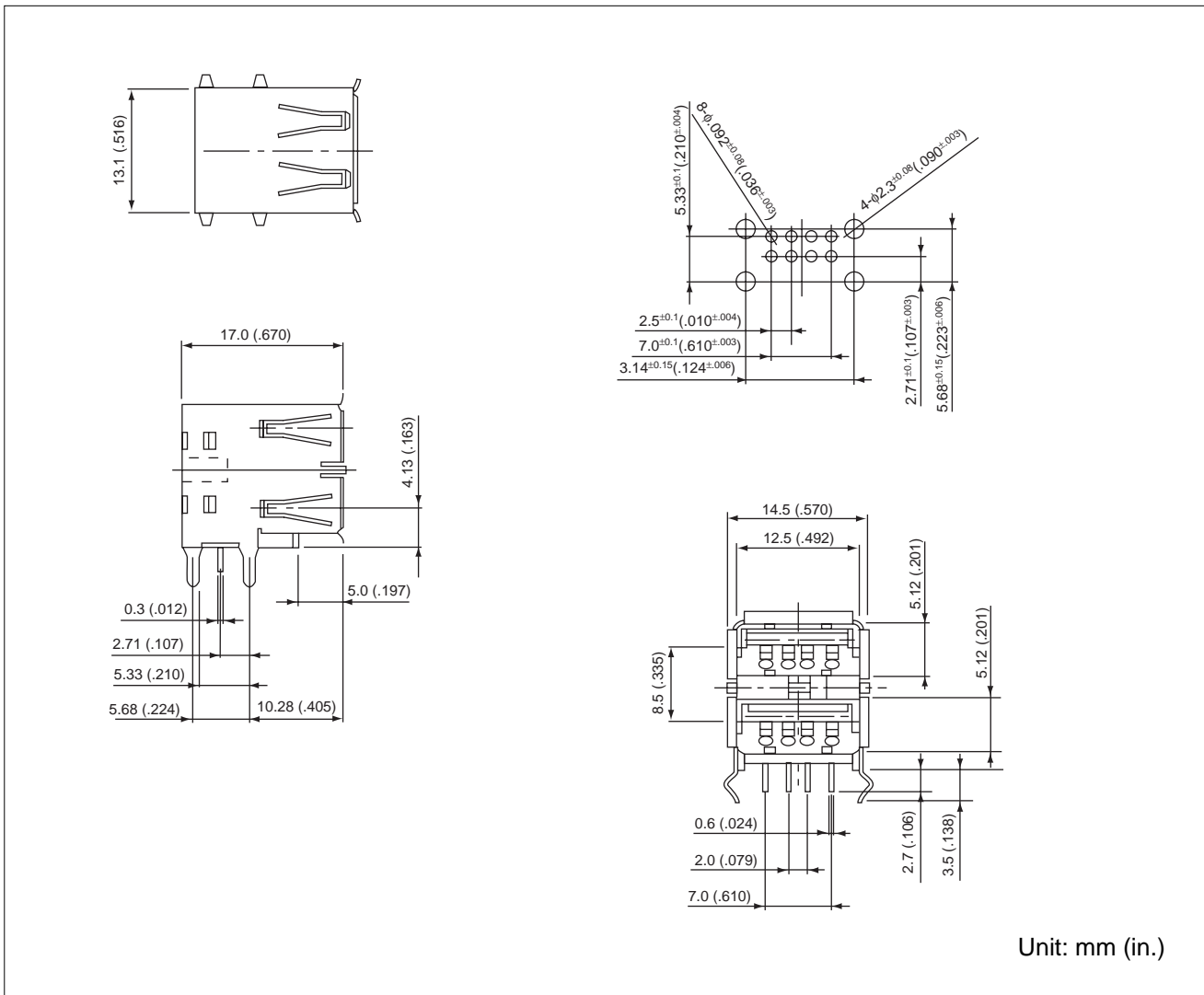
■ PART NUMBER

FCN-865J004-G/A

FCN-860 Series (USB Connectors)

SERIES "A"

■ SOCKET, DUAL SLOT



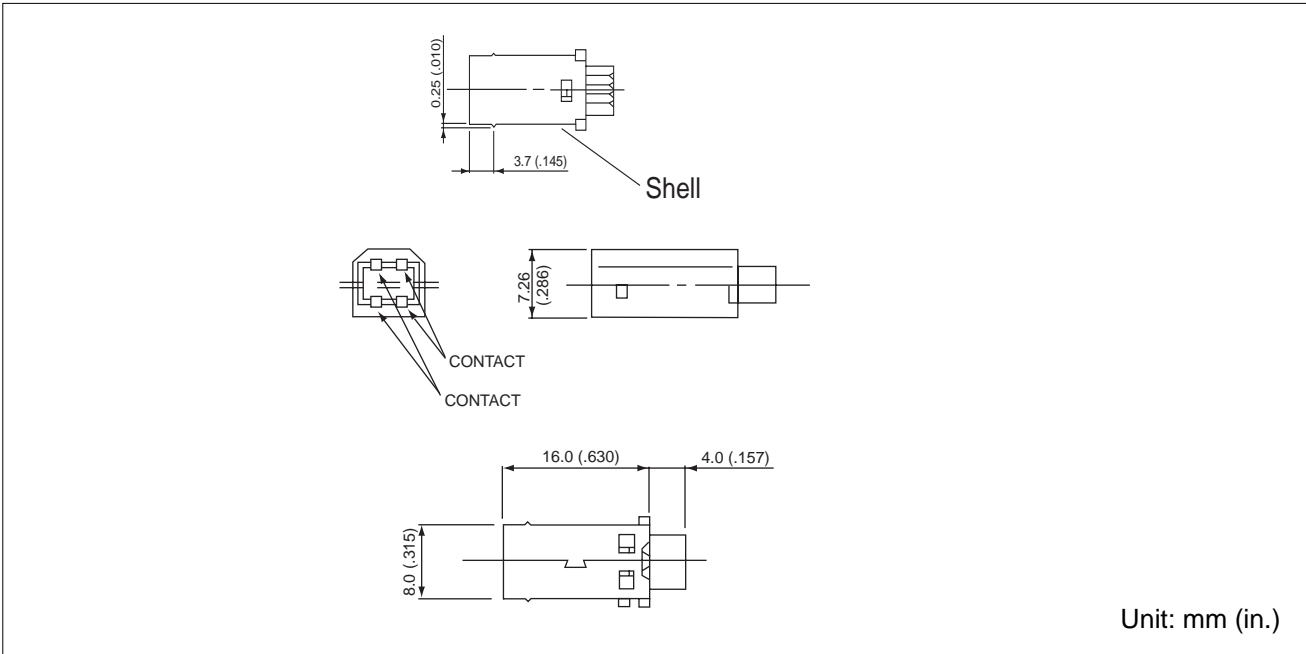
■ PART NUMBER

FCN-865J008-G/AA

FCN-860 Series (USB Connectors)

SERIES "B"

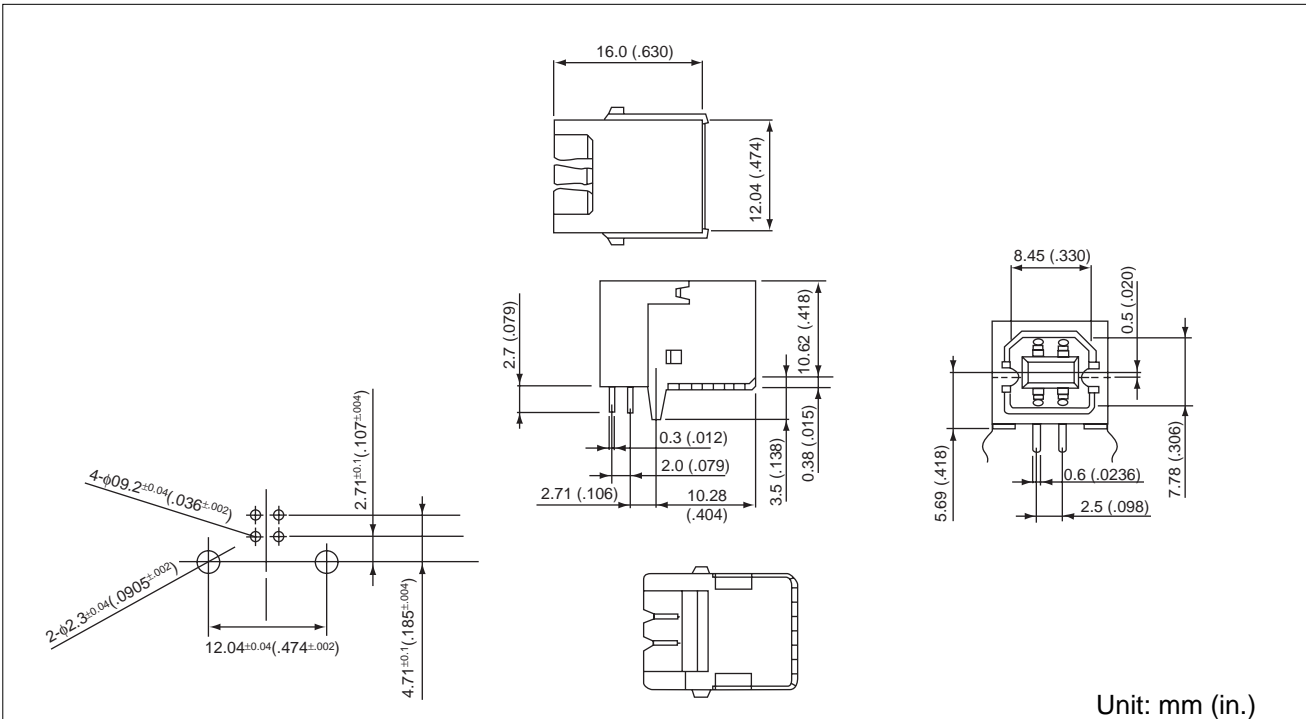
■ PLUG, SOLDER



■ PART NUMBER

FCN-861P004-G/B

■ SOCKET

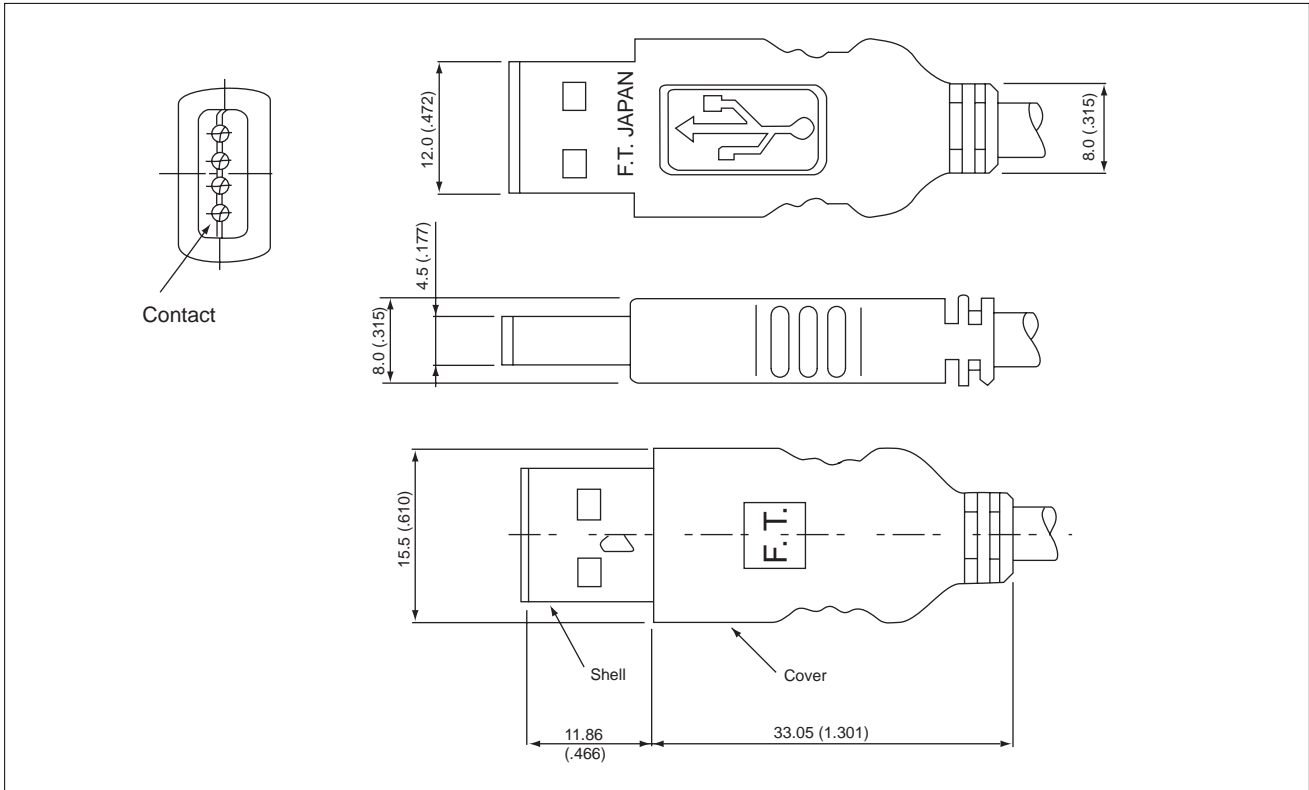


■ PART NUMBER

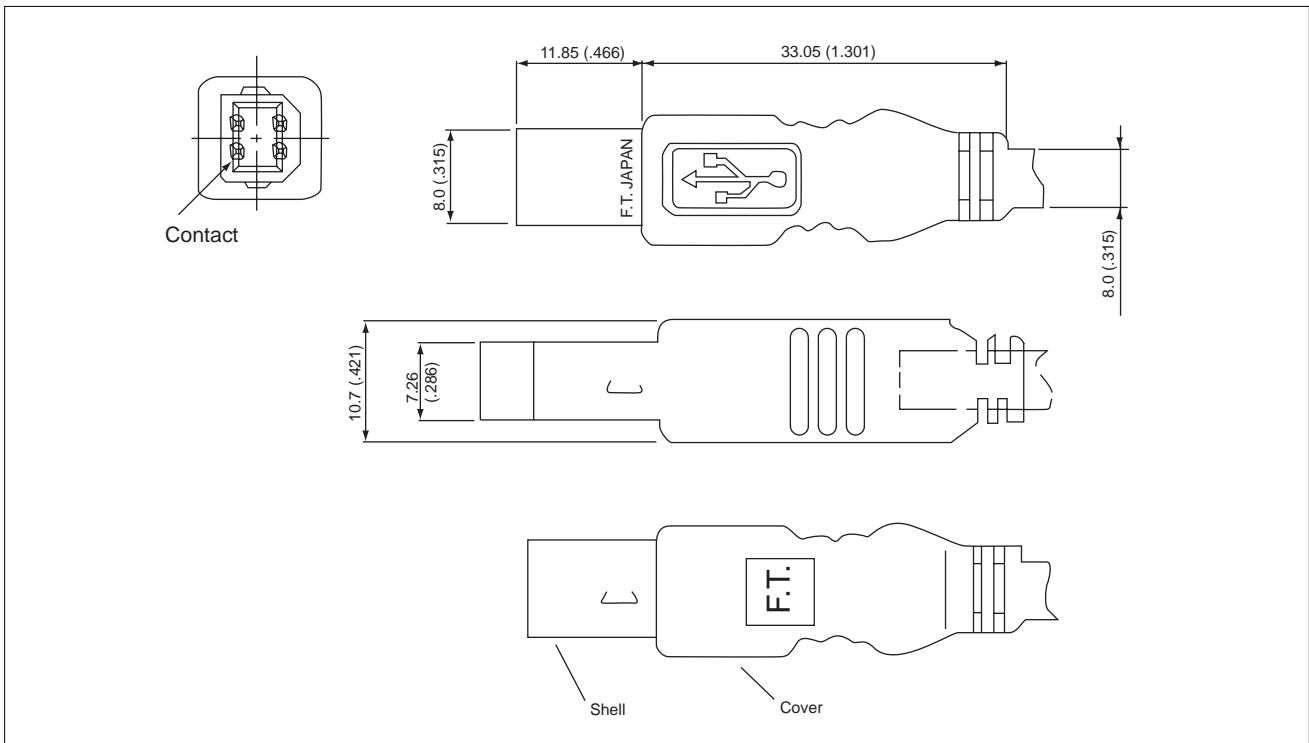
FCN-865J004-G/B

FCN-860 Series (USB Connectors)

■ SERIES A - RECOMMENDED OVERMOLD CONFIGURATION



■ SERIES B - RECOMMENDED OVERMOLD CONFIGURATION



FCN-860 Series (USB Connectors)

**Fujitsu Takamisawa
International
Headquarter
Offices**

www.fujitsu.takamisawa.com

Japan

Fujitsu Takamisawa Component Limited
Global Marketing and Sales
Gotanda-Chuo Building
3-5, Higashigotanda 2-chome, Shinagawa-ku
Tokyo 141, Japan
Tel: (81-3) 5449-7010
Fax: (81-3) 5449-2626

North and South America

Fujitsu Takamisawa America, Inc.
250 E. Caribbean Drive
Sunnyvale, CA 94089 U.S.A.
Tel: (1-408) 745-4900
Fax: (1-408) 745-4970

Europe

Fujitsu Takamisawa Europe B.V.
Diamantlaan 25
2132 WV Hoofddorp
Netherlands
Tel: (31-23) 5560910
Fax: (31-23) 5560950

Asia Pacific

Fujitsu Takamisawa Asia Pacific Pte. Limited
102E Pasir Panjang Road
#04-01 Citilink Warehouse Complex
Singapore 118529
Tel: (65) 375-8560
Fax: (65) 273-3021