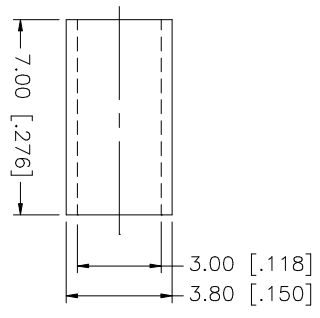
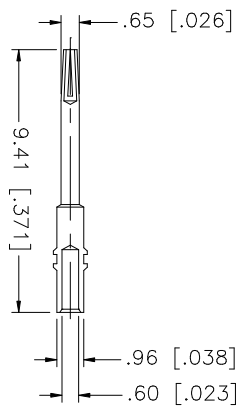
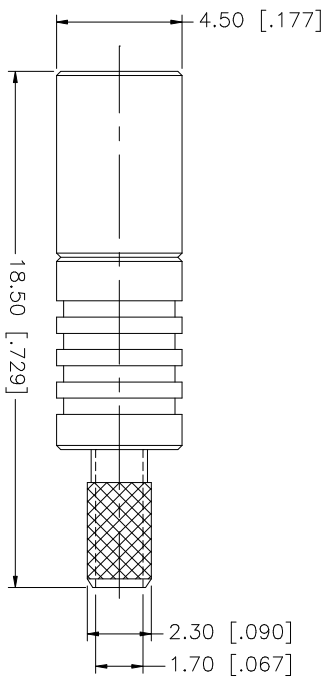
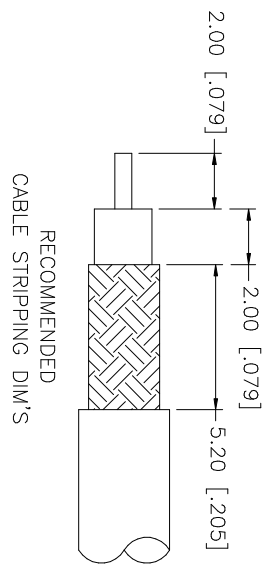


REV.	DATE	DESCRIPTION
NC	01/08/03	INITIAL RELEASE



NOTES:

1. CRIMPED FERRULE
HEX CRIMP SIZE .128"
2. CRIMPED CONTACT PIN TO SOLDER

UNLESS OTHERWISE SPECIFIED DIMENSIONS ARE IN MILLIMETERS. DIMENSIONS IN [] ARE IN INCHES AND FOR CUSTOMER REFERENCE ONLY. UNLESS OTHERWISE SPECIFIED TOLERANCES FOR MILLIMETERS ARE:
0.5 - 8mm ± 0.20mm
8 - 30mm ± 0.40mm
30 - 120mm ± 0.50mm
UNLESS OTHERWISE SPECIFIED TOLERANCES FOR INCHES ARE:
.020 - .315 = ± 0.007"
.315 - 1.180 = ± 0.015"
1.180 - 4.724 = ± 0.020"

Amphenol Connex

SMB CRIMP PLUG
(FOR RG-174/U, 188A/U, 316/U)

QTY	FINISH	MATERIAL	DESCRIPTION
1	GOLD	COPPER	FERRULE
1	NATURAL	TEFLON	INSULATOR
1	GOLD	BER, COPPER	CONTACT PIN
1	GOLD	BRASS	HOUSING/BODY

APPROVALS	DATE	DO NOT SCALE DRAWING
DRAWN G.R.S.	01/08/03	C:/143/143101.DWG
CHECKED		
ISSUED		
SHEET 1 OF 1		

PART DESCRIPTION	DWG. NO.	REV.	SIZE	SCALE
SMB CRIMP PLUG (FOR RG-174/U, 188A/U, 316/U)	143101.DWG	NC	A	NA
PART NO.	143101			