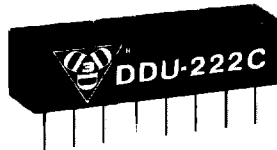
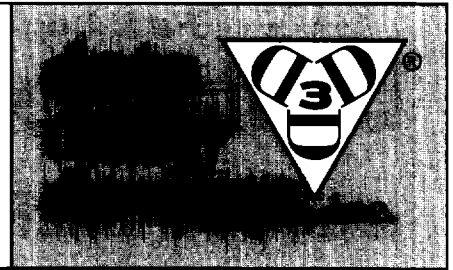


HCMOS — Logic

Digital Delay Unit

SERIES: DDU-222C

5 Outputs
8 pins SIP

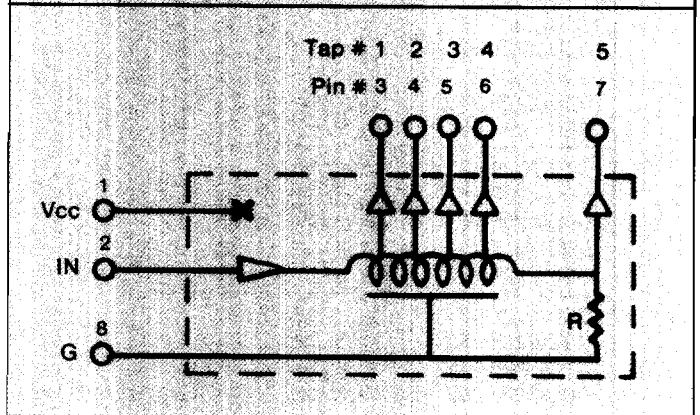
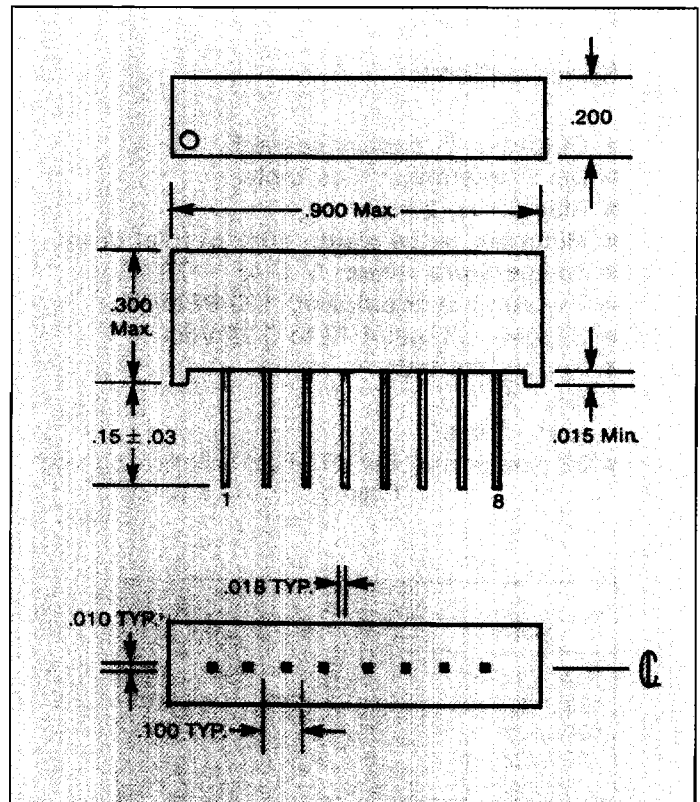


Features:

- Very thin unit.
- HCMOS input and outputs.
- SIP package.
- Economical.

Specifications:

- No. Taps: 5 equally spaced taps.
- Total delay tolerance: $\pm 5\%$ or 2 ns whichever is greater.
- Rise time: 8 ns typ.
- Temperature coefficient: 300 PPM/ $^{\circ}\text{C}$.
- Temperature range: 0°C to $+ 70^{\circ}\text{C}$.
- Supply Voltage: 5 Vdc $\pm 5\%$.
- Supply current:
 - $I_{\text{CCH}} = 10 \text{ ma}$
 - $I_{\text{CCL}} = 40 \mu\text{a}$
- Fan-out: 10 LSTTL loads min.
- DC parameters: See HCMOS-Logic Table on Page 6.



Part No.	Total Delay (ns)	Tap Delay (ns)
*DDU-222C-10	10 ± 2	2.5 ± 1
*DDU-222C-20	20 ± 2	5 ± 2
*DDU-222C-30	24 ± 2	6 ± 2
DDU-222C-50	50 ± 3	10 ± 3
DDU-222C-60	60 ± 3	12 ± 3
DDU-222C-75	75 ± 4	15 ± 3
DDU-222C-100	100 ± 5	20 ± 3
DDU-222C-125	125 ± 6.5	25 ± 3
DDU-222C-150	150 ± 7.5	30 ± 3
DDU-222C-175	175 ± 8	35 ± 4
DDU-222C-200	200 ± 10	40 ± 4
DDU-222C-250	250 ± 12.5	50 ± 5

*Time delay referenced to 1st tap.
8 ns ± 2 ns inherent delay.