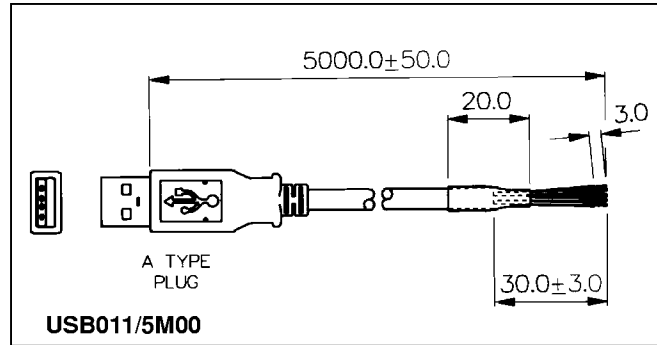
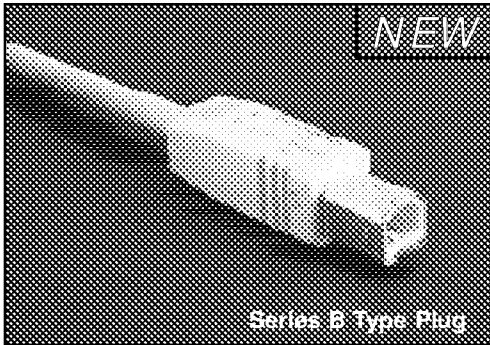
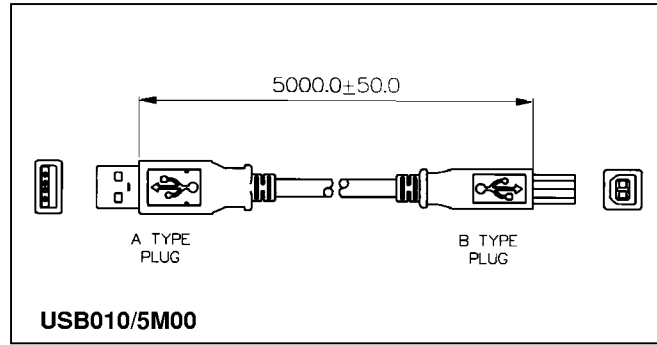
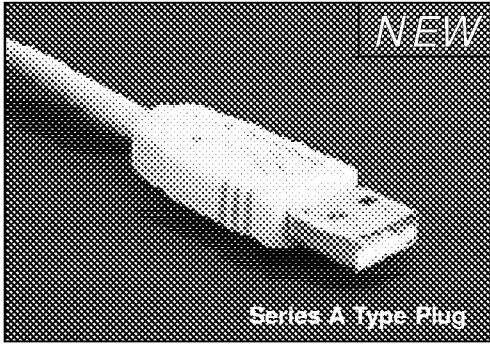


Data	List No.	USB001	USB002	USB003
Series Type:		A	B	A
Single/Stacked		Single	Single	Stacked
Terminations:		PC Splice	PC Splice	PC Splice
Insulation Resistance:		>1000M $\Omega$	>1000M $\Omega$	>1000M $\Omega$
Contact Resistance:		<30m $\Omega$	<30m $\Omega$	<30m $\Omega$
Operating Temp. Range:		0°C to 40°C	0°C to 40°C	0°C to 40°C
Mouldings:		Clear Filled PBT Flammability Rating UL94V-0	Clear Filled PBT Flammability Rating UL94V-0	Clear Filled PBT Flammability Rating UL94V-0
Contacts:		Gold Plated	Gold Plated	Gold Plated
Terminals:		Phosphor Bronze	Phosphor Bronze	Phosphor Bronze
Withdrawal Force:		10 Newtons Max in ut	10 Newtons Max in ut	10 Newtons Max in ut
Mating Force:		10 Newtons Max in ut	10 Newtons Max in ut	10 Newtons Max in ut
Mates with:		USB010/75M DD, USB011/75M DD	USB010/06EP, 08M DD	USB010/06EP, 08M DD, USB011/06EP, 08M DD, USB011/75M DD
Specifications:		USB Specification Revision 1.0		



Data \ List No.	USB010/5M00	USB011/5M00	
Series Type:	A to B	A to Female	
Max Operating Voltage:	30 Vac (max)	30 Vac (max)	
Max Operating Current:	1A	1A	
Plug Insulation Resistance:	>1000MΩ	>1000MΩ	
Contact Resistance:	<30mΩ	<30mΩ	
Operating Temp. Range:	0°C to 40°C	0°C to 40°C	
Material:	Cable: 90°C PVC	Cable: 90°C PVC	
Contacts:	Gold Plated	Gold Plated	
Mates with:	USB001, USB002, USB003	USB001, USB003	
Specifications:	USB Specification Revision 1.0		

