



Raychem

TE Internal #: 9041013001

Hook Up Wire, Spec 55A, 600V Voltage Rating, Black Wire Color, 24AWG Wire Size, .2mm² Wire Size, Operating Temperature Range -65 – 200 °C

[View on TE.com >](#)

Wire & Cable > Hook Up Wire



Cable Type: **Spec 55A**

Voltage Rating: **600 V**

Wire Color: **Black**

Insulation Material: **Radiation-Crosslinked, Modified ETFE**

Conductor Material: **Solid Silver-Plated Copper**

Features

Product Type Features

Cable Style	Special Construction
Product Type	Wire
Product Classification	High Performance - Spec 44, 55 & RCW
Cable Type	Spec 55A

Configuration Features

Number of Conductors	1
----------------------	---

Electrical Characteristics

Voltage Rating	600 V
----------------	-------

Body Features

Wire Color	Black
Insulation Material	Radiation-Crosslinked, Modified ETFE
Conductor Material	Solid Silver-Plated Copper

Dimensions

Overall Outside Diameter	.78 mm[.0308 in]
Wire Diameter	.788 mm[.031 in]
Conductor Diameter	.52 mm[.02 in]
Wire Size	.2 mm ²



Usage Conditions

Operating Temperature Range	-65 – 200 °C
-----------------------------	--------------

Other

Wire Source	United Kingdom
-------------	----------------

Product Compliance

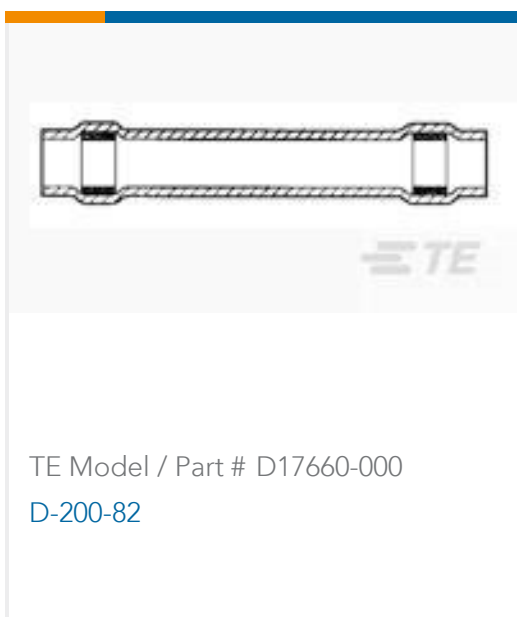
[For compliance documentation, visit the product page on TE.com>](#)

EU RoHS Directive 2011/65/EU	Compliant
EU ELV Directive 2000/53/EC	Compliant
China RoHS 2 Directive MIIT Order No 32, 2016	No Restricted Materials Above Threshold
EU REACH Regulation (EC) No. 1907/2006	Current ECHA Candidate List: JUN 2020 (209) Candidate List Declared Against: JUN 2020 (209) Does not contain REACH SVHC
Halogen Content	Out of Scope - excluded from Halogen requirements
Solder Process Capability	Not applicable for solder process capability

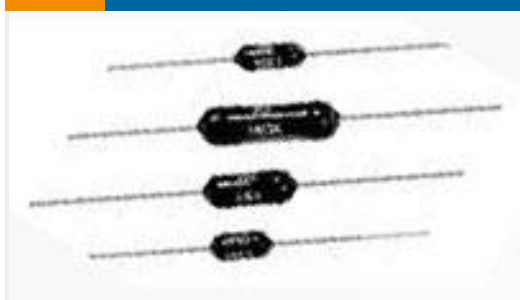
Product Compliance Disclaimer

This information is provided based on reasonable inquiry of our suppliers and represents our current actual knowledge based on the information they provided. This information is subject to change. The part numbers that TE has identified as EU RoHS compliant have a maximum concentration of 0.1% by weight in homogenous materials for lead, hexavalent chromium, mercury, PBB, PBDE, DBP, BBP, DEHP, DIBP, and 0.01% for cadmium, or qualify for an exemption to these limits as defined in the Annexes of Directive 2011/65/EU (RoHS2). Finished electrical and electronic equipment products will be CE marked as required by Directive 2011/65/EU. Components may not be CE marked. Additionally, the part numbers that TE has identified as EU ELV compliant have a maximum concentration of 0.1% by weight in homogenous materials for lead, hexavalent chromium, and mercury, and 0.01% for cadmium, or qualify for an exemption to these limits as defined in the Annexes of Directive 2000/53/EC (ELV). Regarding the REACH Regulation, the information TE provides on SVHC in articles for this part number is based on the latest European Chemicals Agency (ECHA) 'Guidance on requirements for substances in articles' posted at this URL: <https://echa.europa.eu/guidance-documents/guidance-on-reach>

Compatible Parts



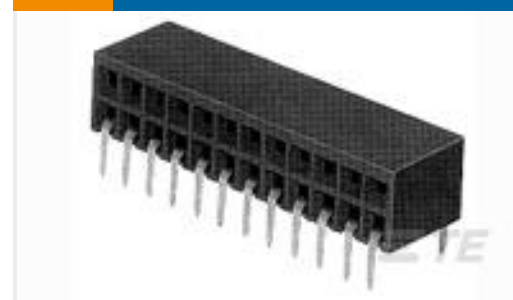
Customers Also Bought



TE Model / Part #8-1879642-3
H8 1K11 0.1% 5PPM



TE Model / Part #F733323001
55D0111-22-9



TE Model / Part #3-87962-1
64 MODII HORZ DR CE 100CL/115



TE Model / Part #2823013001
44A0211-8-9



TE Model / Part #3476303001
55A0812-22-0



TE Model / Part #6-146459-4
14 MODII HDR SRST UNSHRD STKG



TE Model / Part #1-1617138-0
MAW-26S = RELAY



TE Model / Part #1614379-5
RN 0805 12K 0.1% 10PPM CUT
LENGTH



TE Model / Part #5-1676274-4
RN 0805 27K 0.1% 10PPM 1K RL



TE Model / Part #1879281-1
RP 2A 309K 0.1% 15PPM CUT LENGTH

Documents

Product Drawings

[55A9002-24-0](#)

English

Datasheets & Catalog Pages

[1654025_Sec9_SPEC55](#)

English

[Raychem Wire and Cable Quick Reference Guide](#)

English