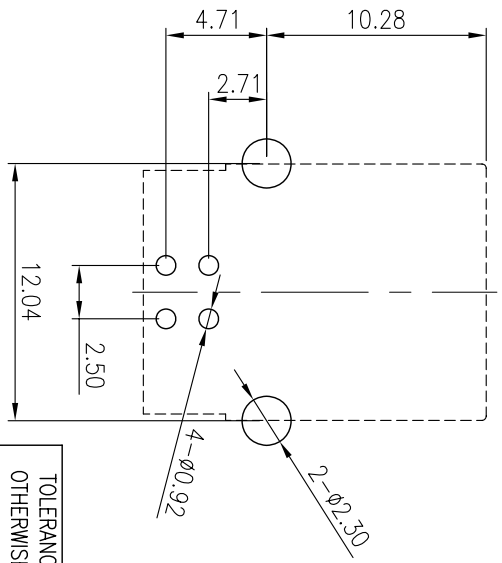
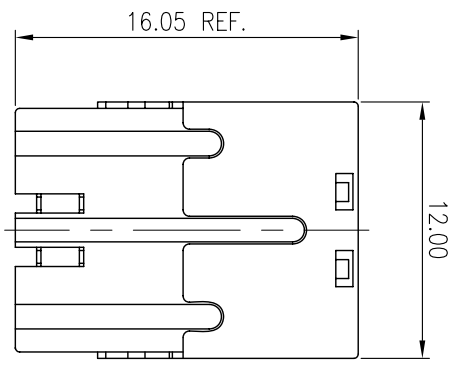
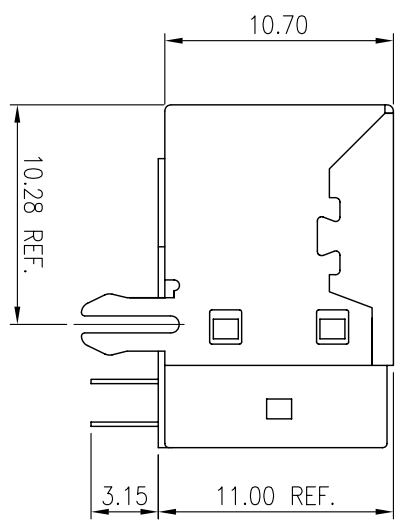
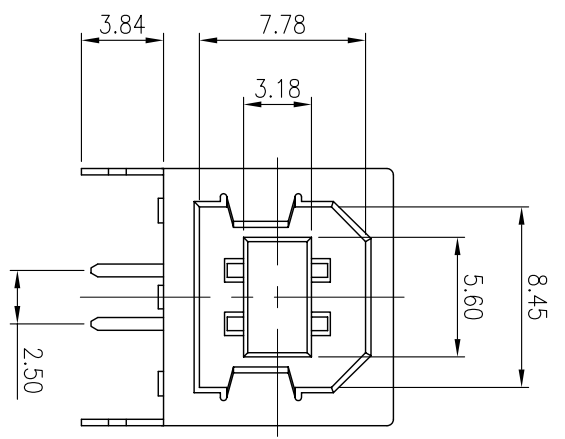


8 7 6 5 4 3 2 1
 VI.1 NOTE: THIS DEVICE IS ROHS COMPLIANT.



REVISIONS				
SYM	DESCRIPTION	DATE	APPROVED	SYM
Δ				Δ
Δ				Δ

****CUSTOMER DRAWING FOR REFERENCE ONLY, SAMPLES APPROVAL ARE REQUIRED!!**

DATE	DESCRIPTION	DATE	APPROVED

085

ELECTRICAL CHARACTERISTICS
 CONTACT CURRENT RATING: 1.0 AMPERES.
 DIELECTRIC WITHSTANDING VOLTAGE: AC 500 V r.m.s.
 INSULATION RESISTANCE: 1000 MΩ MIN. AT DC 500V.
 CONTACT RESISTANCE: 30 mΩ MAX.
 OPERATING TEMPERATURE: -55°C~85°C.
MECHANICAL CHARACTERISTICS:
 CONTACT INSERTION FORCE: 35N MAX.
 CONTACT SEPARATION FORCE: 10N MIN.
MATERIALS:
 CONTACTS: BRASS
 INSULATOR: PBT, UL94V-0 RATED
 SHELL: STEEL

ORDER INFORMATION:
 USBX42-Pd04NGX
 USB: USB CONNECTOR
 X42: SERIES NO.
 042: COLOR OF PLASTIC, WHITE
 142: COLOR OF PLASTIC, BLACK
 Pø: PCB TYPE, RIGHT ANGLE
 04: NO. OF CONTACTS
 N: SHELL PLATING, NICKEL PLATED
 GX: CONTACT PLATING OPTION
 Gt: GOLD FLASH ON CONTACTS, TIN PLATED ON SOLDER TAILS
 G15t: 15u" GOLD ON CONTACTS, TIN PLATED ON SOLDER TAILS
 G20t: 20u" GOLD ON CONTACTS, TIN PLATED ON SOLDER TAILS
 G30t: 30u" GOLD ON CONTACTS, TIN PLATED ON SOLDER TAILS

TOLERANCES UNLESS OTHERWISE SPECIFIED		SIGNATURES		DATE		MODEL	
±0.25		DRAWN	KEN	17/APR/08'	TITLE	USB JACK B TYPE	
SYMBOL	UNIT	CHECKED	WENDY	17/APR/08'	NO.	USB_42-Pd04NG_	
Δ	mm	APPROVALS					

MMT CORPORATION