
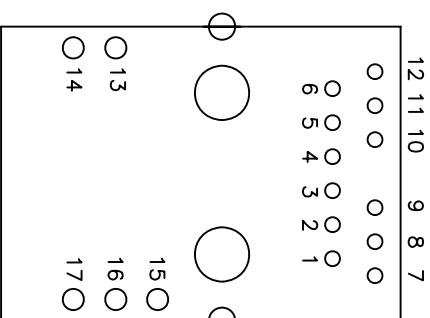
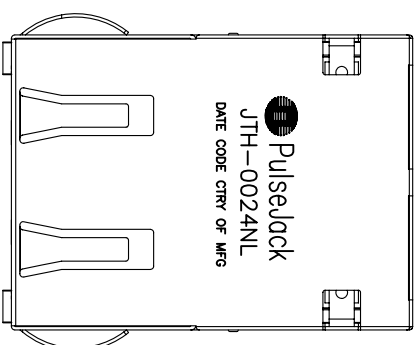


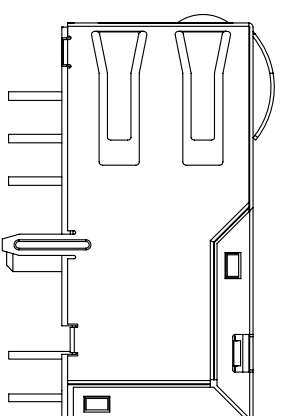
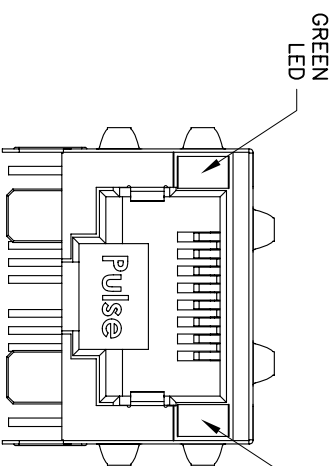
NOTES: UNLESS OTHERWISE SPECIFIED

NOTICE:	THIS IS A ROHS COMPLIANT COMPONENT/PRODUCT. ALL ENGINEERING CHANGES MUST HAVE PRIOR APPROVAL BY THE DESIGN CENTER.
 RoHS	

- 1.
2. PLASTIC HOUSING: THERMOPLASTIC MATERIAL WITH FLAMMABILITY RATING UL 94V-0 OR BETTER.
3. CONTACT BASE MATERIAL: PHOSPHOR BRONZE.
4. CONTACTS UNDERPLATE: 50 MICRONS DUCTILE NICKEL.
5. CONTACTS PLATING: 50 MICRO-INCH GOLD PLATING.
6. SOLDER TAIL PLATING MATERIAL: 200-500 UNINCHES 100% TIN, MATTE FINISH.
7. METAL SHIELD: NICKEL PLATING ON COPPER ALLOY.
8. JACK CAVITY CONFORMS TO FCC RULES AND REGULATIONS PART 68 SUBPART F.
9. PCB PLATING: EG.
10. SOLDERABILITY: CONFORMS TO ANSI/J-STD-002, IPC/EIA J-STD-003A.
11. OPERATING TEMPERATURE: 0°C TO +70°C
12. STORAGE TEMPERATURE: -20°C TO +125°C
13. JEDEC MOISTURE: LEVEL 1.
14. REVISION: MX1, MX2, ARE PRELIMINARY.



PIN ASSIGNMENTS
(COMPONENT SIDE VIEW)

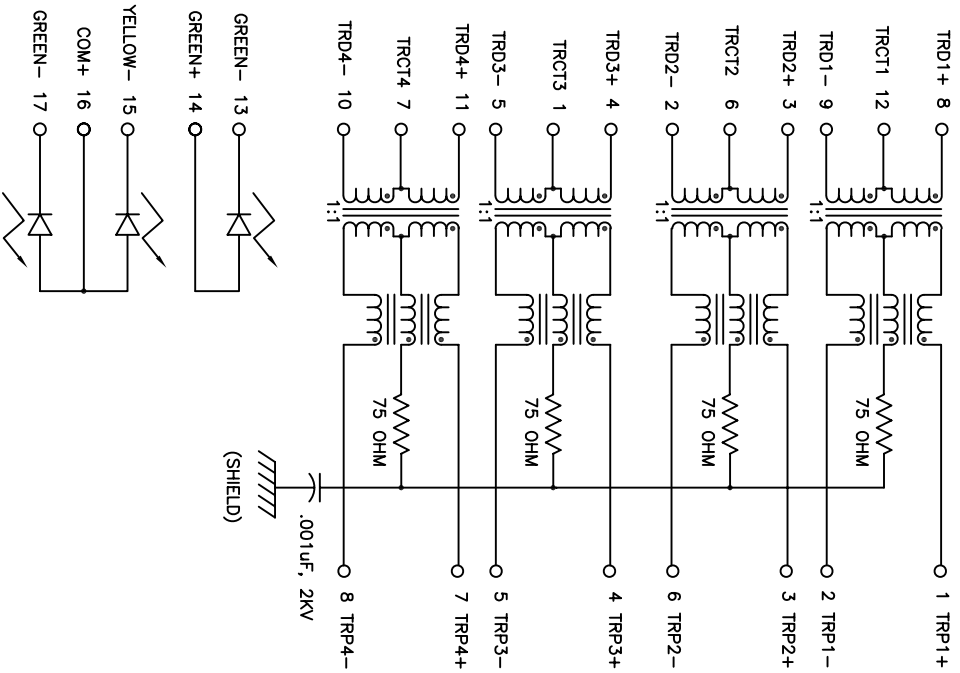


PACKAGE OUTLINE

© Copyright, 2010. Pulse Engineering, Inc. All rights reserved. Drawing specifications subject to change without notice. (11/02/10)

PULSE CONFIDENTIAL & PROPRIETARY	PRODUCT DESCRIPTION	PS DRAWING	SHEET:	DWG. NO. / PART NO.	REV.
	CONN,RJ45,1X1,10G,G2	PS-2484.009-B	1	JTH-0024NL	M10

PCB SIDE



SCHEMATIC

CABLE SIDE

ELECTRICAL CHARACTERISTICS AT +25°C UNLESS OTHERWISE SPECIFIED

PARAMETER	SPECIFICATIONS	
	100 KHz	1-400 MHz
INSERTION LOSS	-3.0 DB MAX	-2.0 DB MAX (-1.4 DB TYP)
RETURN LOSS (Z OUT = 100 OHM ± 1%)	1-40 MHz	40 MHz-500 MHz
	-18 DB MIN	-17 + 10*LOG (f/40)
INDUCTANCE (OCL)	120 uH MIN @ 100 KHz, 100 mV	
CROSSTALK, ADJACENT CHANNELS	1-100 MHz	100-500 MHz
	-28 DB MIN	-19 DB MIN
COMMON MODE REJECTION RATIO	1-100 MHz	100-300 MHz 300-500 MHz
	-35 DB MIN	-30 DB MIN -25 DB MIN
COMMON TO DIFFERENTIAL MODE REJECTION (CDMR)	1-250 MHz	250-500 MHz
	-30 DB MIN	-22 DB MIN
INPUT - OUTPUT ISOLATION	2250 VDC MIN @ 60 SECONDS	

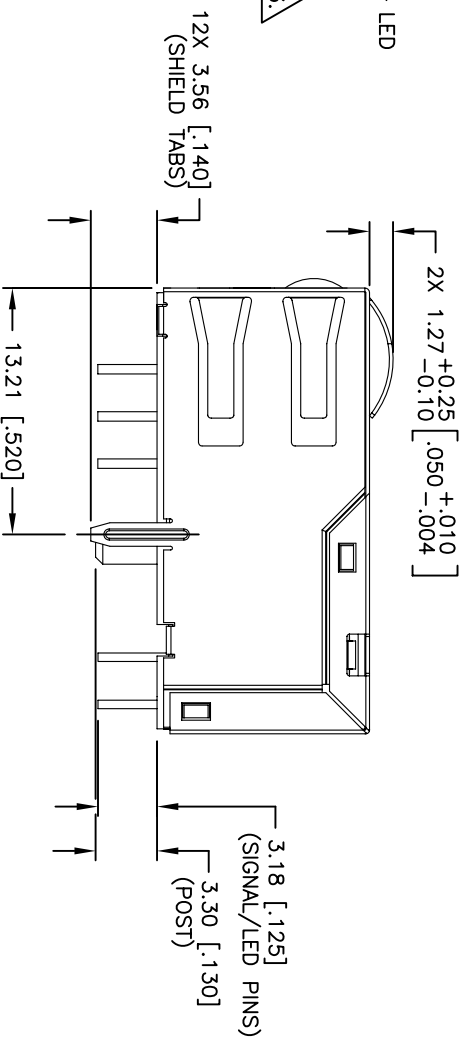
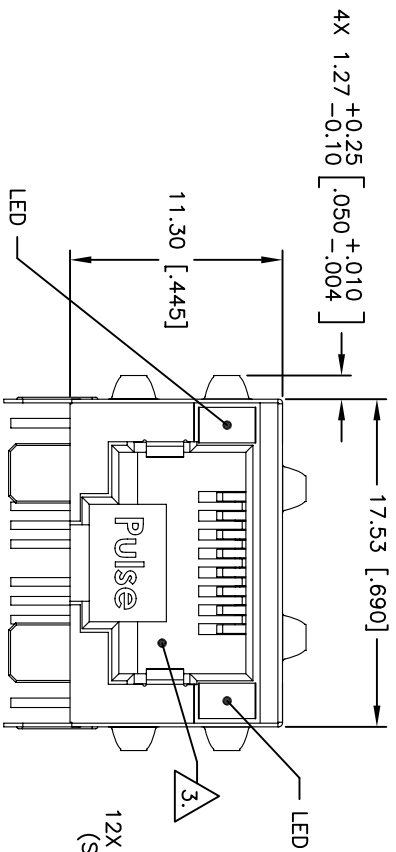
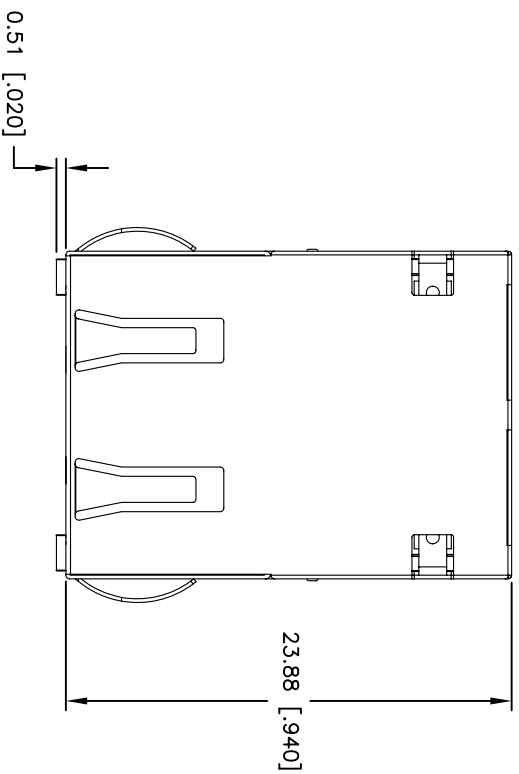
NOTE: f IS FREQUENCY IN MHZ.

EMITTED COLOR	GREEN	YELLOW	GREEN
WAVE LENGTH (nm)	570	588	570
POWER DISSIPATION (Pd)	85 mW MAX	100 mW MAX	85 mW MAX
DC FORWARD CURRENT	25 mA MAX	30 mA MAX	25 mA MAX
FORWARD VOLTAGE (VF) @ 20mA	2.2 V TYP	2.1 V TYP	2.2 V TYP

NOTE: PER VENDOR'S SPECIFICATION BICOLOR

© Copyright, 2010. Pulse Engineering, Inc. All rights reserved. Drawing specifications subject to change without notice. (11/02/10)

PULSE CONFIDENTIAL & PROPRIETARY	PRODUCT DESCRIPTION	PS DRAWING	SHEET:	DWG. NO. / PART NO.	REV.
	CONN,RJ45,1X1,10G,G2	PS-2484.009-B	2	JTH-0024NL	M10



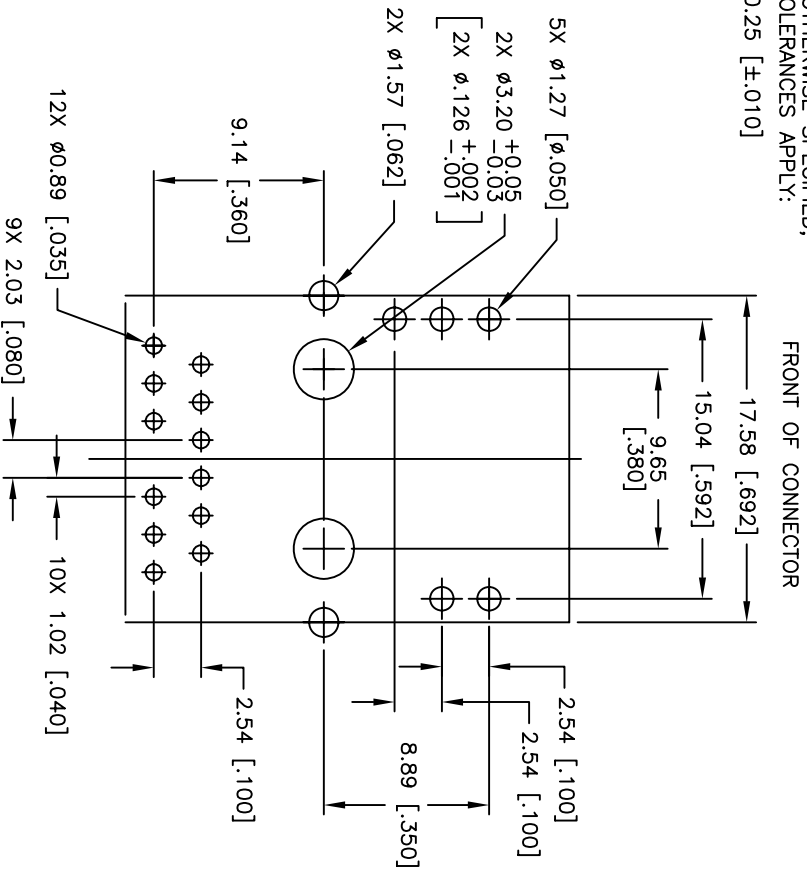
ALL DIMENSION ARE SHOWN IN METRIC.
DIMENSIONS SHOWN IN BRACKETS ARE
INCHES. UNLESS OTHERWISE SPECIFIED,
THE FOLLOWING TOLERANCES APPLY:
X.XX [.XXX] = ±0.25 [±.010]

© Copyright, 2010. Pulse Engineering, Inc. All rights reserved. Drawing specifications subject to change without notice. (11/02/10)

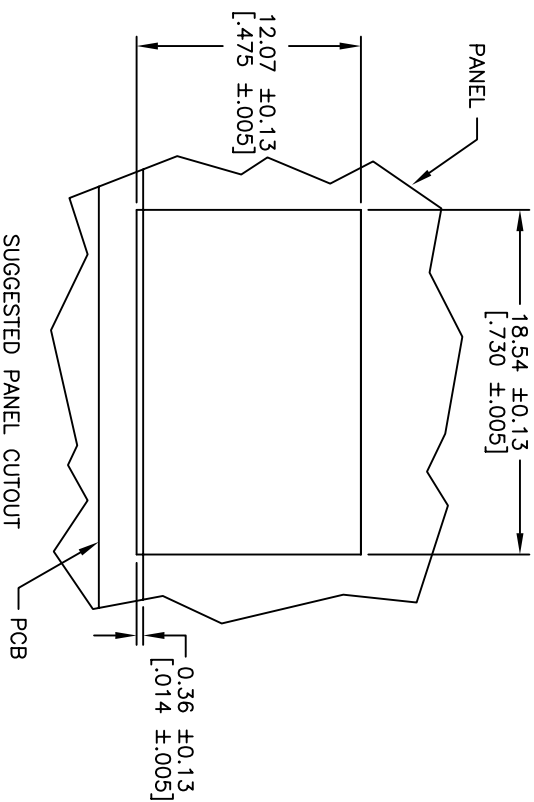
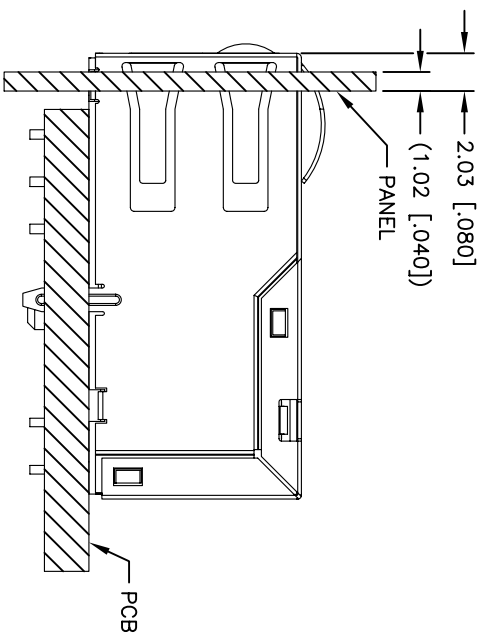
PULSE CONFIDENTIAL & PROPRIETARY	PRODUCT DESCRIPTION	PS DRAWING	SHEET:	DWG. NO. / PART NO.	REV.
	CONN,RJ45,1X1,10G,G2	PS-2484.009-B	3	JTH-0024NL	M10

ALL DIMENSION ARE SHOWN IN METRIC.
DIMENSIONS SHOWN IN BRACKETS ARE
INCHES, UNLESS OTHERWISE SPECIFIED,
THE FOLLOWING TOLERANCES APPLY:

X.XX [.XXX] = ± 0.25 [$\pm .010$]



SUGGESTED FOOTPRINT (COMPONENT SIDE SHOWN)
DIMENSIONAL TOLERANCE: (UNLESS OTHERWISE SPECIFIED)
.XX [.XXX] = ± 0.05 [$\pm .002$]



© Copyright, 2010. Pulse Engineering, Inc. All rights reserved. Drawing specifications subject to change without notice. (11/02/10)

PULSE CONFIDENTIAL & PROPRIETARY	PRODUCT DESCRIPTION	PS DRAWING	SHEET:	DWG. NO. / PART NO.	REV.
	CONN,RJ45,1X1,10G,G2	PS-2484.009-B	4	JTH-0024NL	M10

Mouser Electronics

Authorized Distributor

Click to View Pricing, Inventory, Delivery & Lifecycle Information:

Pulse:

[JTH-0024NL](#)