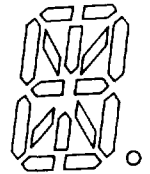
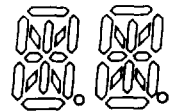


## ALPHA-NUMERIC DISPLAYS

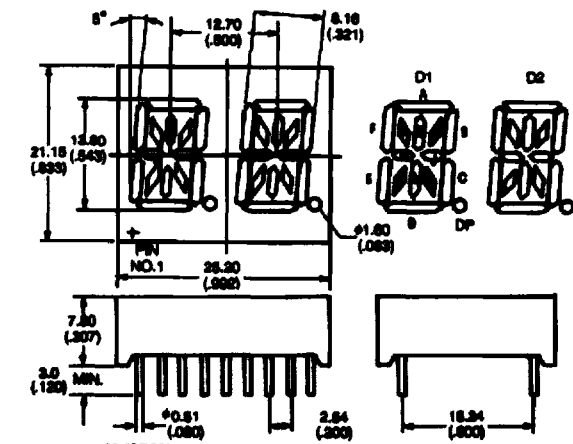
Digit Size	Part No.		Emitted Color	Peak Wave Length $\lambda_p$ (nm)	Absolute Maximum Ratings				Electro-Optical Data (At 10 mA)			Drawing No.
	Common Anode	Common Cathode			$\Delta\lambda$ (nm)	Pd (mw)	If (mA)	Peak If (mA)	Vf (V)		Iv Typ. Per Seg. (mcd)	
									Typ.	Max.		
0.54"	BD-E521RD	BD-F521RD	Red	655	40	110	40	200	1.7	2.0	0.7	D-37
	E525RD	F525RD	Bright Red	700	90	50	15	50	2.1	2.6	1.0	
	E522RD	F522RD	Green	568	30	100	30	150	2.1	2.6	2.4	
	E523RD	F523RD	Yellow	585	35	90	30	150	2.1	2.6	2.3	
	E524RD	F524RD	HI-Eff Red	635	45	80	30	150	2.0	2.6	2.4	
			Orange									
E526RD	F526RD	Super Red	660	20	60	20	150	1.7	2.6	4.2		
0.8"	BS-A821RD	BS-C821RD	Red	655	40	110	40	200	1.7	2.0	0.8	D-38
	A825RD	C825RD	Bright Red	700	90	50	15	50	2.1	2.6	1.1	
	A822RD	C822RD	Green	568	30	100	30	150	2.1	2.6	2.5	
	A823RD	C823RD	Yellow	585	35	90	30	150	2.1	2.6	2.4	
	A824RD	C824RD	HI-Eff Red	635	45	80	30	150	2.0	2.6	2.5	
			Orange									
A826RD	C826RD	Super Red	660	20	60	20	150	1.7	2.6	4.3		



Remark: • The average luminous intensity is obtained by summing the luminous intensity of each segment and dividing by total number of segments.  
 • Above part numbers are all with black surface and white segment. For part numbers with other surface and segment color combinations, please check the selection guide (part number system).

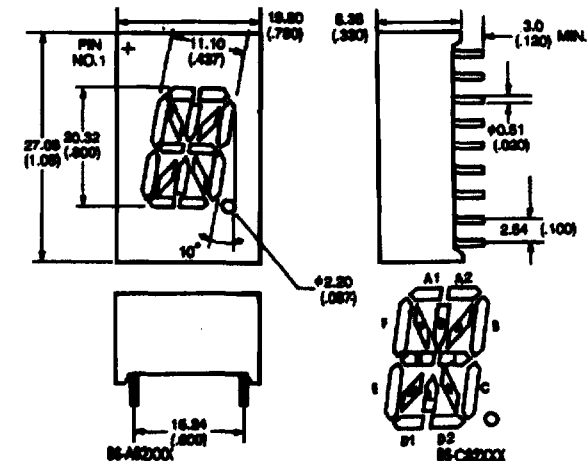
## PACKAGE DIMENSIONS

NOTES  
 1. All dimensions are in millimeters (inches)  
 2. Tolerance is  $\pm 0.25$ mm ( $\pm 0.010$ ") unless otherwise specified.  
 3. Specifications are subject to change without notice.



- Com. Anode
- Cathode E
  - Cathode M
  - NC
  - Cathode L
  - Cathode K
  - Cathode J
  - Cathode D
  - Cathode DP
  - Cathode C
  - Cathode B
  - Com. Anode D2
  - Cathode A
  - Cathode N
  - Cathode H
  - Cathode G
  - Com. Anode D1
  - Cathode P
  - Cathode F

- Com. Cathode
- Anode E
  - Anode M
  - NC
  - Anode L
  - Anode K
  - Anode J
  - Anode D
  - Anode DP
  - Anode C
  - Anode B
  - Com. Cathode D2
  - Anode A
  - Anode N
  - Anode H
  - Anode G
  - Com. Cathode D1
  - Anode P
  - Anode F



- Com. Anode
- Cathode A1
  - Cathode G
  - Cathode P
  - Cathode F
  - Cathode N
  - Cathode L
  - Cathode M
  - Cathode E
  - Cathode D1
  - Cathode D2
  - Com. Anode
  - Cathode DP
  - Cathode C
  - Cathode K
  - Cathode J
  - Cathode B
  - Cathode H
  - Cathode A2

- Com. Cathode
- Anode A1
  - Anode G
  - Anode P
  - Anode F
  - Anode N
  - Anode L
  - Anode M
  - Anode E
  - Anode D1
  - Anode D2
  - Com. Cathode
  - Anode DP
  - Anode C
  - Anode K
  - Anode J
  - Anode B
  - Anode H
  - Anode A2