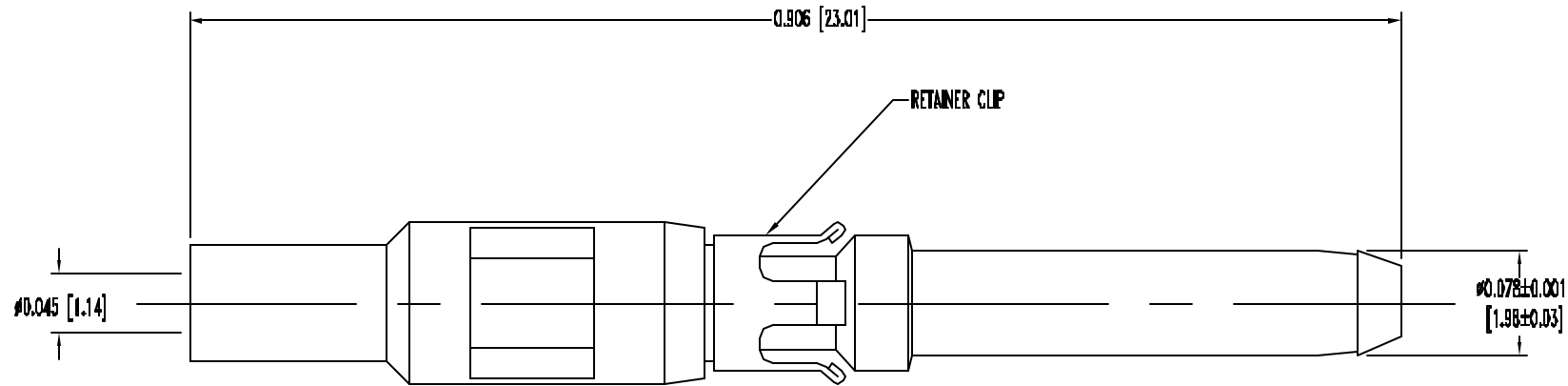


POSITRONIC INDUSTRIES BELIEVES THE DATA ON THIS DRAWING TO BE RELIABLE, SINCE THE TECHNICAL INFORMATION IS GIVEN FREE OF CHARGE, THE USER EMPLOYS SUCH INFORMATION AT HIS OWN DISCRETION AND RISK. POSITRONIC INDUSTRIES ASSUMES NO RESPONSIBILITY FOR RESULTS OBTAINED OR DAMAGES INCURRED FROM USE OF SUCH INFORMATION IN WHOLE OR IN PART.

SK3531


DATE	REV	REVISION RECORD	APP	DR	CK
12-22-00	NC	ECO 17175		ME	



CRIMP SLEEVE

NOTES:

- MATERIAL AND FINISHES:  
INSULATING MATERIAL: (DIELECTRIC) PCTFE.  
INNER CONTACT: PHOSPHOR BRONZE, 0.000030 INCH [0.8μ]  
GOLD OVER NICKEL.  
OUTER CONTACT: BRASS AND BERYLLIUM COPPER, 0.000010  
INCH [0.2μ] GOLD OVER NICKEL.
- ELECTRICAL CHARACTERISTICS:  
INITIAL CONTACT RESISTANCE: 0.012 OHMS MAX.  
INSULATOR RESISTANCE: 5 G OHMS
- TEMPERATURE RANGE: -55°C TO +125°C.
- USE WITH RG 178 B/U OR RG 196 A/U CABLE.
- DIMENSIONS ARE IN INCHES [MILLIMETERS].

 <b>POSITRONIC INDUSTRIES INC.</b> www.connectpositronic.com		SCALE	DRAWN BY
		N.T.S.	M. ENBA
DECIMAL TOL.	GMCT SERIES	APPROVED BY	
± 0.015 [0.38]	TITLE	MCS126N	
VF #3201	DATE	DRAWING NUMBER	REV.
ANGULAR TOL.	12-22-00	SK3531	NC
± N/A			