

POWER DIVIDERS, RESISTIVE

SMA, up to 18 GHz, 1 Watt



SPECIFICATIONS:

Models: 6014-1, 6014-2 & 6014-3

Electrical:	
Frequency Range _____	See Below
Standard Freq. Values _____	12.4 and 18 GHz
VSWR _____	See Below
Impedance _____	50 Ohms
Insertion Loss _____	See Below
Phase Tracking _____	See Below
Input Power _____	1 Watt Avg. @ 25°C (5uSec Pulse, .05% Duty Cycle)
Peak Power _____	1 kW Max.
Operating Temp Range _____	-65°C to +125°C Derated Linearly to 0 Watts @ +125°C
Mechanical:	
SMA Connectors _____	Passivated Stainless Steel Mate IAW MIL-STD-348
Housing _____	Passivated Stainless Steel
Conductors _____	Gold Plated Beryllium Copper

Model Number: **6014-1**

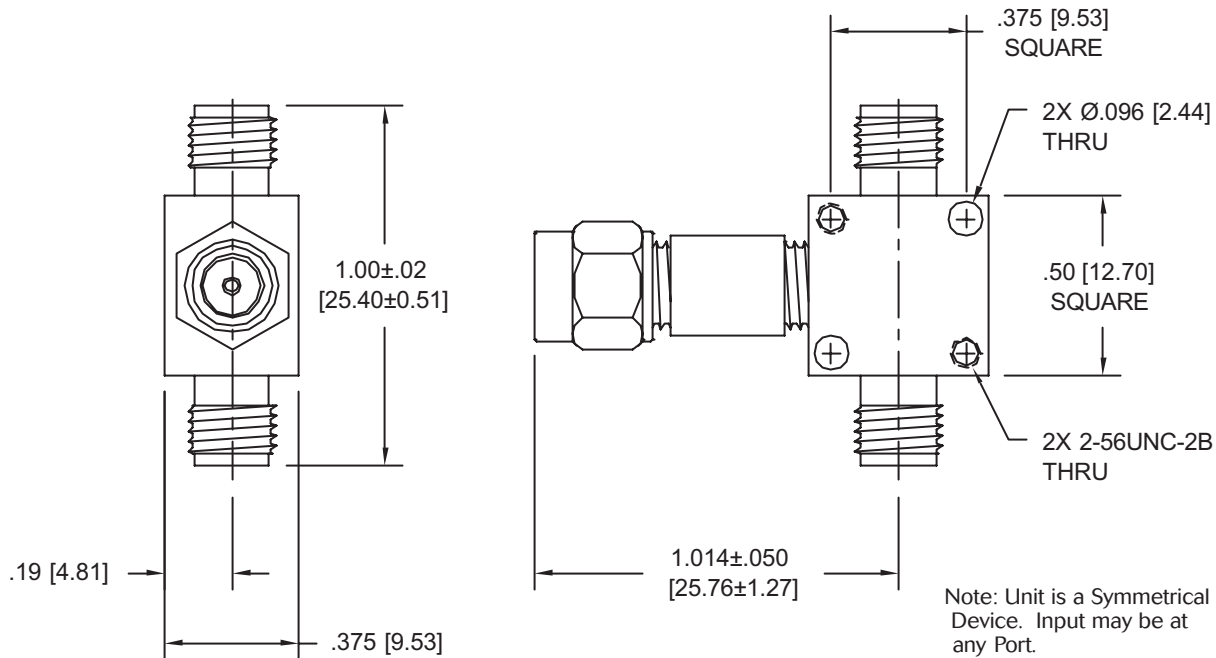
Frequency Range _____ DC - 12.4 GHz
 VSWR _____ 1.20:1 Max.
 Insertion Loss _____ 6dB Nominal
 Phase Tracking _____ ±2°

Model Number: **6014-2**

Frequency Range _____ DC - 18 GHz
 VSWR _____ 1.30:1 Max.
 Insertion Loss _____ 7.5dB Nominal
 Phase Tracking _____ ±3°

Model Number: **6014-3**

Frequency Range _____ DC - 6 GHz
 VSWR _____ 1.20:1 Max.
 Insertion Loss _____ 6dB Nominal
 Phase Tracking _____ ±2°



Note: Dimensions in Brackets are Expressed in Millimeters and are for Reference Only.

6014: REV B



Aeroflex / Inmet, Inc. • 300 Dino Drive, Ann Arbor, MI 48103 • U.S.A.
 888-244-6638 or 734-426-5553 • FAX: 734-426-5557
 www.aeroflex-inmetcorp.com • sales@eroflex-inmetcorp.com