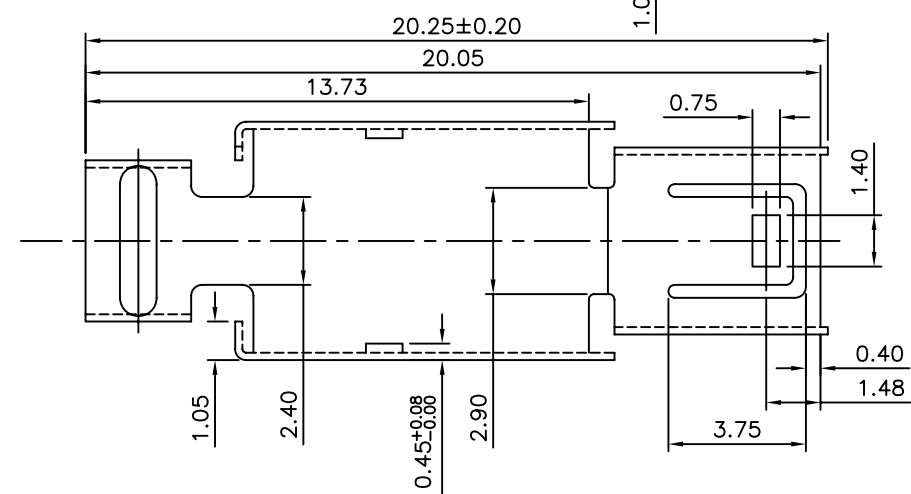
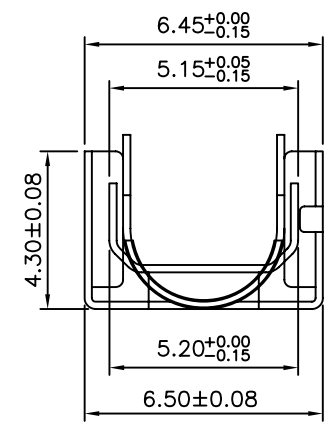
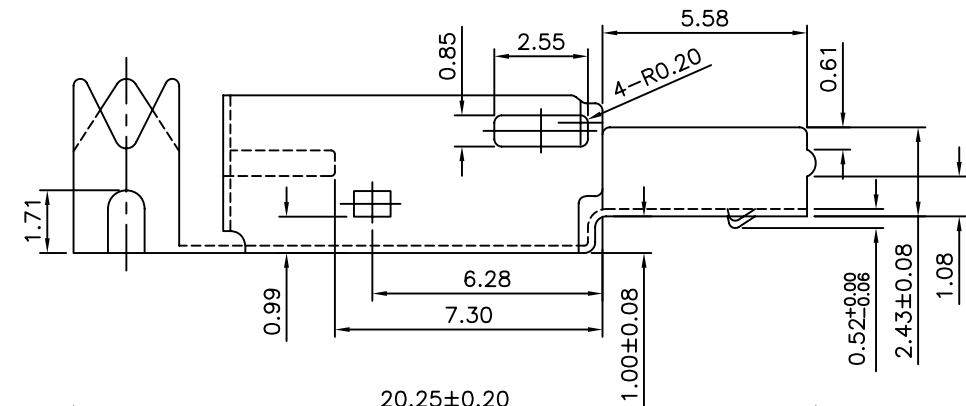
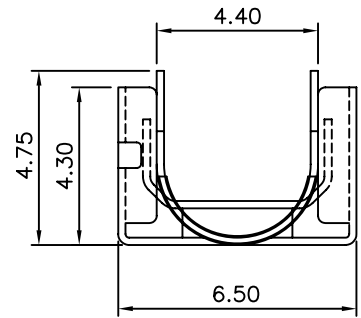
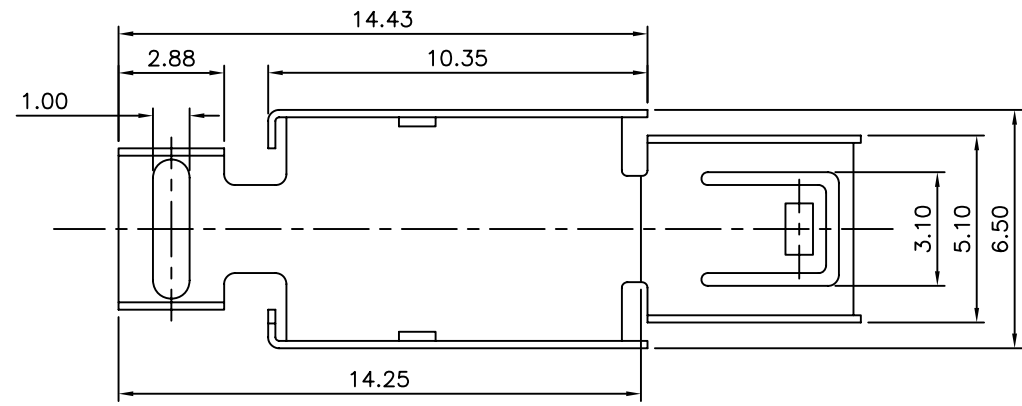


SPECIFICATIONS

Material:SUS 301
 Thickness:0.20mm
 Camber Control:5mm/1000mm Max
 Twist Control:45°/1000mm Max



AUK A MEMBER OF AUK GROUP
太聯事業股份有限公司
AUK CONTRACTORS CO., LTD.

CATEGORY		APPROVED BY		UNLESS OTHERWISE SPECIFIED TOLERANCES ARE .X ±0.10 X. ±1° .XX ±0.05 .X ±0.5° .XXX ±0.02 .XX ±0.02°					
PART No. MSB1X04PS		MEI							
DRAWING No. MSB1X04PS		HZF							
SCALE NONE		PEGA							
REV.	A0	UNIT mm	⊕	⊕	NO.	REV.	REVISIONS	CHK	DATE
					A0		NEW RELEASE	HZF	11/29/2006