

(TLR215A)

RED LED FOR PHOTO INTERRUPTER

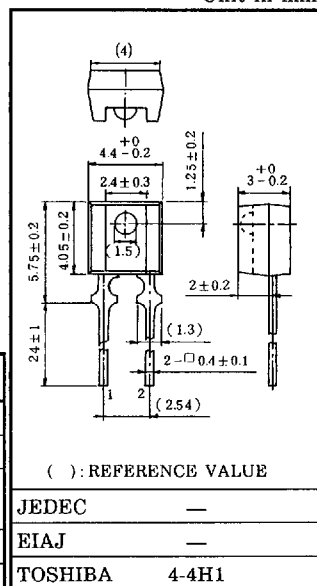
Unit in mm

OPTO-ELECTRONIC SWITCH

- Radiant power can be visually confirmed.
- The same external shape as Photo Transistor TPS607A (Darlington).
Is best suited for combination with TPS607A as a photo interrupter.

MAXIMUM RATINGS (Ta = 25°C)

CHARACTERISTIC	SYMBOL	RATING	UNIT
Forward Current	I_F	20	mA
Reverse Voltage	V_R	4	V
Forward Current Derating (Ta > 25°C)	$\Delta I_F / ^\circ C$	-0.26	mA / °C
Operating Temperature Range	T_{opr}	-25~85	°C
Storage Temperature Range	T_{stg}	-30~100	°C

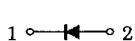


Weight : 0.16g (TYP.)

OPTO-ELECTRICAL CHARACTERISTICS

CHARACTERISTIC	SYMBOL	TEST CONDITION	MIN.	TYP.	MAX.	UNIT
Forward Voltage	V_F	$I_F = 15\text{mA}$	—	2.05	2.6	V
Reverse Current	I_R	$V_R = 4\text{V}$	—	—	5	μA
Radiant Intensity	I_E	$I_F = 10\text{mA}$	0.1	0.3	—	mW / sr
Capacitance	C_T	$V_R = 0, f = 1\text{MHz}$	—	50	—	pF
Peak Emission Wavelength	λ_P	$I_F = 10\text{mA}$	—	700	—	nm
Spectral Line Half Width	$\Delta\lambda$	$I_F = 10\text{mA}$	—	100	—	nm
Half Value Angle	$\theta_{\frac{1}{2}}$	$I_F = 10\text{mA}$	—	± 15	—	°

PIN CONNECTION



1. CATHODE
2. ANODE

(TLR215A)

PRECAUTION

Please be careful of the followings.

1. Soldering temperature : 260°C MAX.
Soldering time : 5s MAX.
(Soldering portion of lead : above 2mm from the body of the device)
2. If the lead is formed, the lead should be formed at a distance of 2mm from the body of the device.
Soldering shall be performed after lead forming.

(TLR215A)

