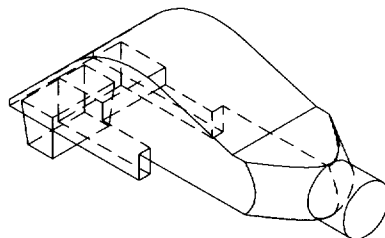
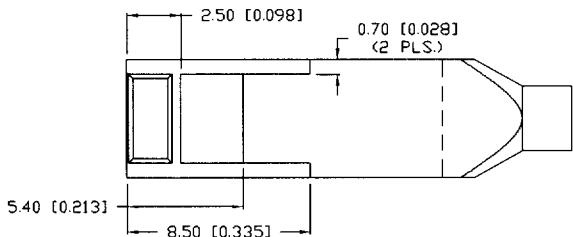
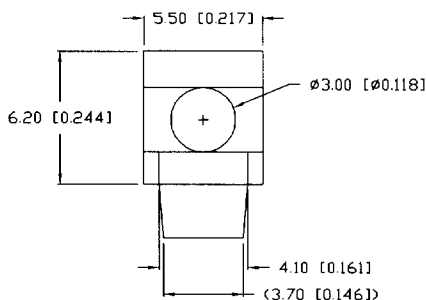
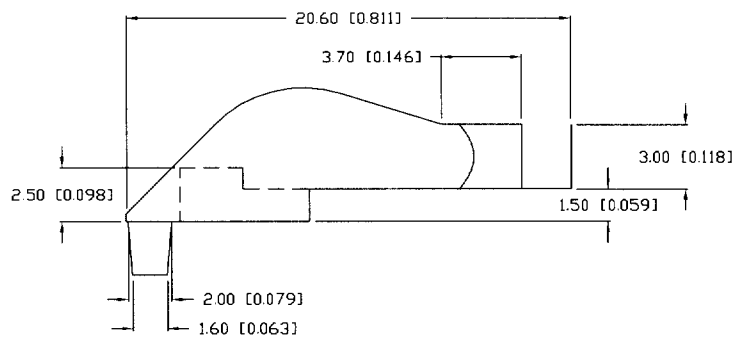


LLP-LXH010301S

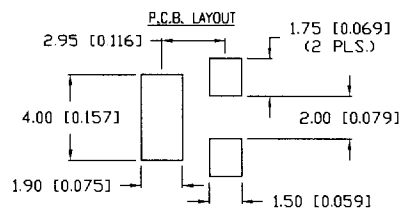
• Ready to Order

Recommended LED: SML-LX1206xx SERIES



NOTES:

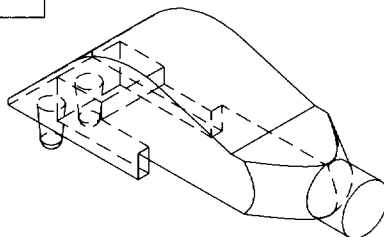
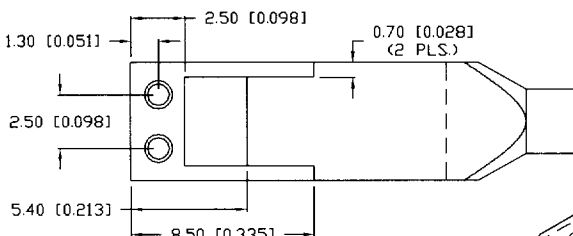
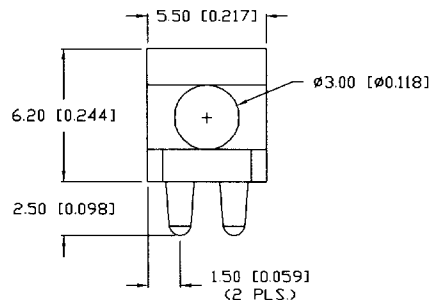
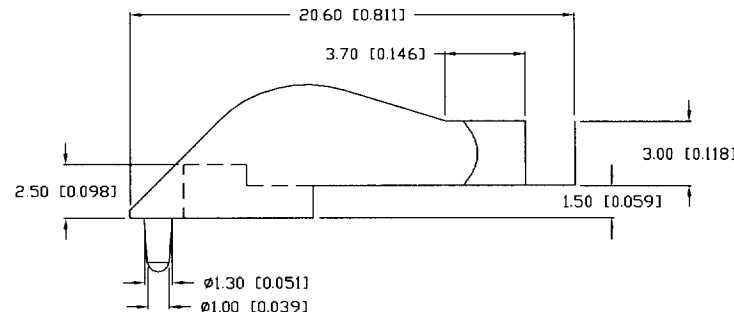
1. MATERIAL: CLEAR POLYCARBONATE, UL 94V-0.
2. TEMP. RANGE: -60°C TO +125°C.
3. RECOMMENDED LED: SML-LX1206xx SERIES.



LLP-LXH010302S

• Ready to Order

Recommended LED: SML-LX1206xx SERIES



NOTES:

1. MATERIAL: CLEAR POLYCARBONATE, UL 94V-0.
2. TEMP. RANGE: -60°C TO +125°C.
3. RECOMMENDED LED: SML-LX1206xx SERIES.

