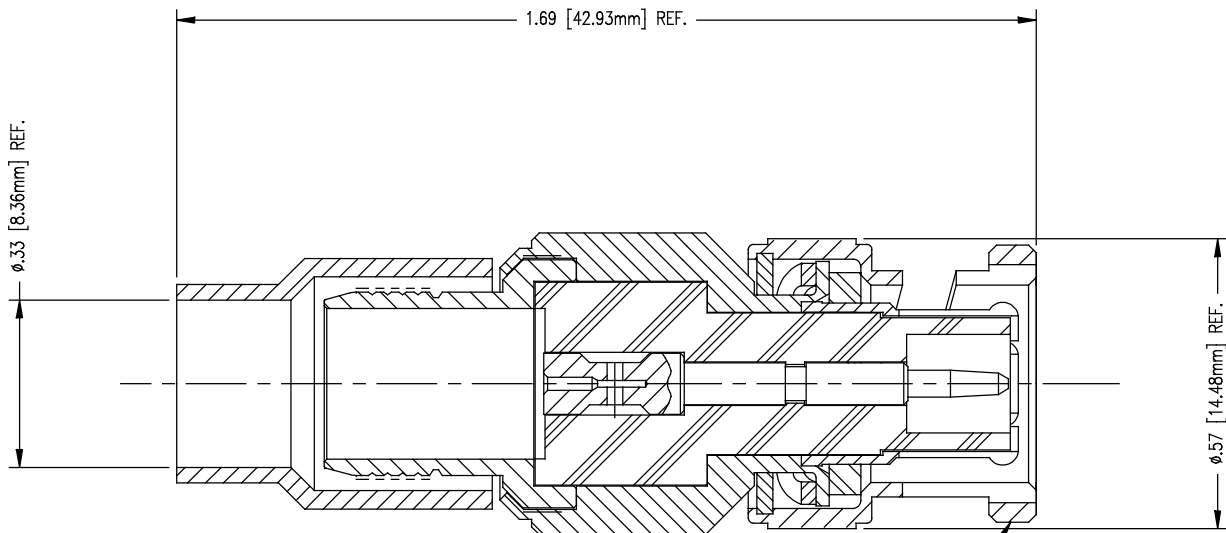


DASH NO.	M CODE	MADE FROM
----------	--------	-----------

GSD

755-42-5

REVISIONS	
ISSUE	CHANGES
0	ER 31118 AJ 9/13/89
1	CN 33220 C WJM 8/20/91
2	CN 39647 E REDRAWN HVN 09/29/06



NOTES:

- FOR USE WITH TIMES AA-4938 CABLE.
- FOR CABLING INSTRUCTIONS SEE CP-480.
- FOR CRIMPING USE DIE KTH-2179.
- INTERFACE PER MIL-STD-348, FIG. 301-1.
- SLEEVE AND CENTER CONTACT TO BE SUPPLIED UNASSEMBLED.
- MARK PACKAGE: KINGS 755-42-5
YRWK (DATE CODE)
BHTI 30-111-4
- MATERIALS:
INSULATOR: TEFLON, ASTM-D-4894
K-GRIP SLEEVE: COM. BRONZE, ASTM-B-140
GASKET: SILICONE RUBBER, ZZ-R-765
SPRING WASHER: BER. COPPER, ASTM-B-196
ALL OTHER METAL PARTS: BRASS, ASTM-B16
- FINISHES:
SPRING WASHER: SILVER PLATE, PER ASTM-B-700
CENTER CONTACT: HARD GOLD PLATE, PER ASTM-B-488
ALL OTHER METAL PARTS: KINGS TARNISH RESISTANT FINISH (TR-5)
- ELECTRICAL CHARACTERISTICS:
NOMINAL IMPEDANCE: 50 OHMS
WORKING VOLTAGE: 500 VRMS
FREQUENCY RANGE: DC TO 4 GHz

STAMP: KINGS 755-42-5
YRWK (DATE CODE)

755-42-5SD

SCALE 4 : 1	
APPROX SURFACE AREA	
USED ON	
REF: BELL HELICOPTER DWG. NO. 30-111-4 REV. D	
BNC PLUG	
DRAWN H. NGUYEN	DATE 09/29/06
DESIGN CT	DATE 10/18/89
APPR.	DATE
 ROCK HILL, SOUTH CAROLINA 29730	
755-42-5	

GSD