

**FEATURES**

- Internal R/C Oscillator
- Provides Seven Filters In One 14-pin Package
- Dual Inputs for Summing Left and Right Channels
- Provides 30dB of Gain
- Two Auxiliary Inputs
- Microprocessor Bus Interface
- On Chip A/D Converter

**APPLICATIONS**

- Graphic Equalizers
- Tape Recorders
- Receivers
- Portable Systems

**GENERAL DESCRIPTION**

The XR-1097 is a 7-point switched capacitor filter dedicated for use in audio applications. The 7 filters are spaced 1 1/2 octaves apart starting at 63Hz. The two filter inputs allow the left and right channels to be summed. This reduces the display space and prevents redundant audio information from being displayed. The 7 filter outputs, along with the peak value of all filters each go into a peak hold circuit with a slow decay time constant

(330ms). The eight filter outputs and 2 auxiliary inputs are multiplexed into an A/D converter which produces the digital output that is used by the system microprocessor. The XR-1097 is fabricated in a low noise 2 micron double poly-silicon CMOS process and comes in a 14-pin plastic package. The device may be operated off of either  $\pm 5V$  or  $\pm 6V$  supplies. The chip oscillator operates at 400kHz and requires only an external resistor and capacitor.

**ORDERING INFORMATION**

Part No.	Package	Operating Temperature Range
XR-1097CP	14 Lead 300 Mil PDIP	-30°C to +75°C

## BLOCK DIAGRAM

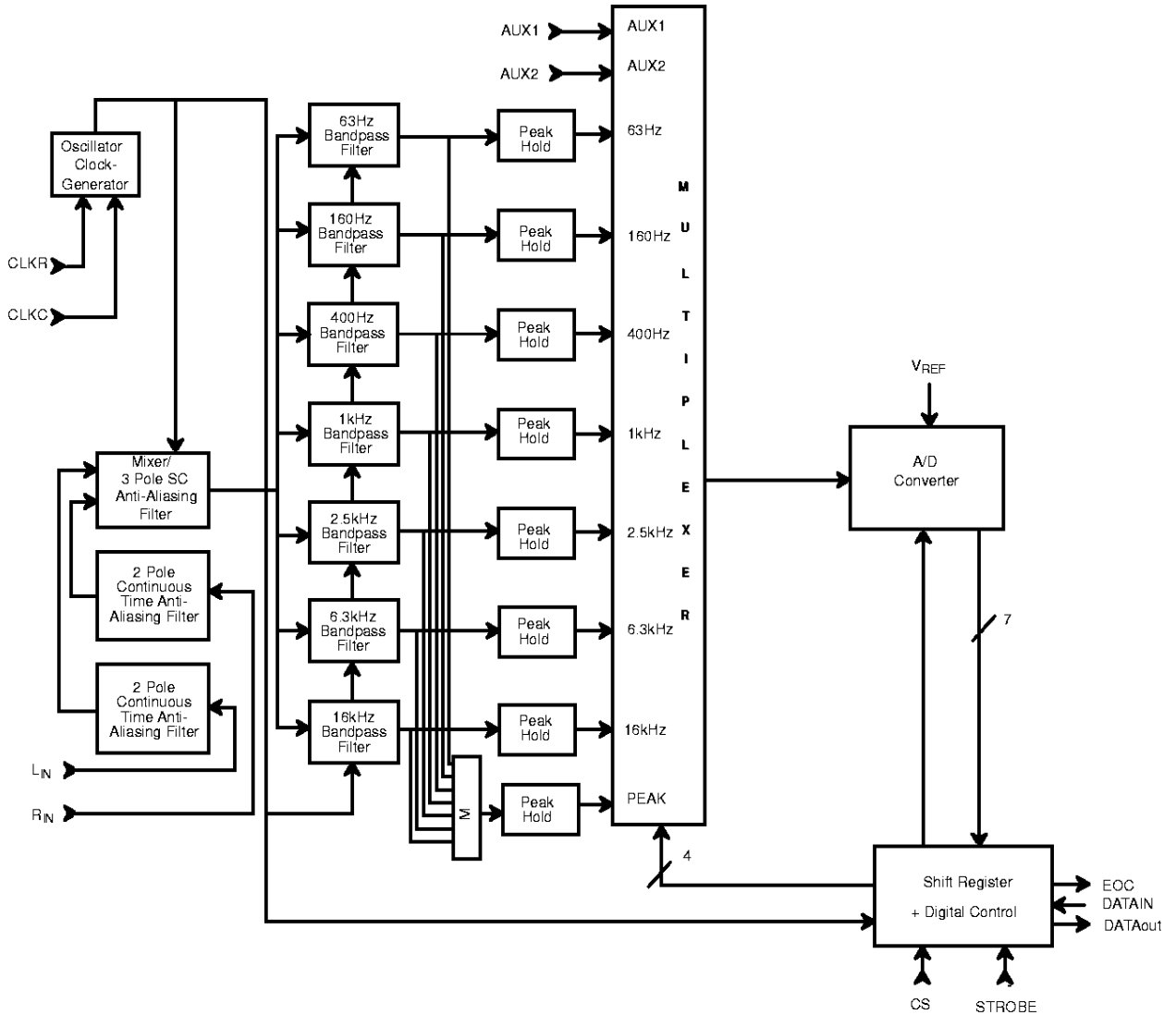
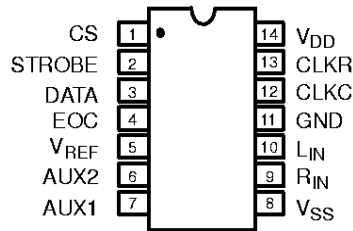


Figure 1. 7-Band Graphic Equalizer Display Filter with A/D Converter

**PIN CONFIGURATION**



**14 Lead PDIP (0.300")**

**PIN DESCRIPTION**

Pin #	Symbol	Description
1	CSB	Chip Select Pin
2	STROBE	Clock Pin To Shift In/Out Data Through the Serial Port
3	DATA	Serial Port For Digital Signals to and from Microprocessor
4	EOC	(A/D) End of Conversion Pin
5	V <sub>REF</sub>	A/D Converter Reference Voltage Input
6	AUX2	Auxiliary Input 2
7	AUX1	Auxiliary Input 1
8	V <sub>SS</sub>	Negative Supply Voltage
9	R <sub>IN</sub>	Right Channel Input
10	L <sub>IN</sub>	Left Channel Input
11	GND	Ground
12	CLKC	Clock Capacitor from this Pin to GND (C <sub>nom</sub> = 1nF)
13	CLKR	Clock Resistor from this Pin to CLCC (R <sub>nom</sub> = 14.6 kΩ)
14	V <sub>DD</sub>	Positive Supply Voltage

## ELECTRICAL CHARACTERISTICS

Test Conditions:  $V_{DD} = +5V$ ,  $V_{SS} = -5V$ ,  $V_{REF} = 2.55V$ ,  $T_A = 25^\circ C$

Symbol	Parameter	Min.	Typ.	Max.	Units	Conditions
<b>General Characteristics</b>						
$V_{DD}$	Positive Supply	4.75		6	V	
$V_{SS}$	Negative Supply	-6		-4.75	V	
$I_{DD5}$	Supply Current		8	15	mA	
<b>Digital Pins</b>						
$V_{IL}$	Input Voltage Low			0.5	V	
$V_{IH}$	Input Voltage High	4.5			V	
$V_{OL}$	Output Voltage Low			0.5	V	
$V_{OH}$	Output Voltage High	4.5			V	
<b>Analog and Digital Inputs</b>						
$I_{IL}$	Input Leakage Current	-2.0		+2.0	$\mu A$	
<b>Oscillator Characteristics</b>						
TCLKRP	Clock Frequency	380	400	420	kHz	R=1.46k $\Omega$ C= 1nF
<b>A/D Characteristics</b>						
	Accuracy Error			8	bit	
$V_{REF}$	Reference Voltage		2.5	$\pm 1$	LSB	
TCONV	Conversion Time	400	80	440	$\mu S$	
<b>Filter Characteristics</b>						
FOS	Filter Offset	0		+200	mV	
FG63	Filter Gain 63Hz	1.08	1.28	1.52	V	INPUT=40mVpk f <sub>IN</sub> =63Hz
		28.5	30.0	31.5	dB	
		2.15	2.55	2.55	V	
FG160	Filter Gain 160Hz	1.08	1.28	1.52	V	INPUT=40mVpk f <sub>IN</sub> =160Hz
		28.5	30.0	31.5	dB	
		2.15	2.55	2.55	V	
FG400	Filter Gain 400Hz	1.08	1.28	1.52	V	INPUT=40mVpk f <sub>IN</sub> =400Hz
		28.5	30.0	31.5	dB	
		2.15	2.55	2.55	V	
FG1K	Filter Gain 1kHz	1.08	1.28	1.52	V	INPUT=40mVpk f <sub>IN</sub> =1kHz
		28.5	30.0	31.5	dB	
		2.15	2.55	2.55	V	
FG2.5K	Filter Gain 2.5kHz	1.08	1.28	1.52	V	INPUT=40mVpk f <sub>IN</sub> =2.5kHz
		28.5	30.0	31.5	dB	
		2.15	2.55	2.55	V	
FG6.3K	Filter Gain 6.3kHz	1.08	1.28	1.52	V	INPUT=40mVpk f <sub>IN</sub> =6.3kHz
		28.5	30.0	31.5	dB	
		2.15	2.55	2.55	V	

**ELECTRICAL CHARACTERISTICS (CONT'D)**

Symbol	Parameter	Min.	Typ.	Max.	Units	Conditions
FG16K	Filter Gain 16kHz	1.08	1.28	1.52	V	INPUT=40mVpk f <sub>IN</sub> =16kHz
		28.5	30.0	31.5	dB	
		2.15	2.55	2.55	V	
GPK	Peak Gain	1.08	1.28	1.52	V	INPUT=40mVpk f <sub>IN</sub> =1kHz
		28.5	30.0	31.5	dB	
		2.15	2.55	2.55	V	

Specifications are subject to change without notice

**ABSOLUTE MAXIMUM RATINGS**

Power Supply Voltage ..... ±7V      Storage Temperature ..... -60 to +150°C

**SYSTEM DESCRIPTION**

The XR-1097 generates its clocks with an internal oscillator and does not require an external clock source. This allows the designer to place the XR-1097 on any application where an active filter design is in place. The XR-1097 provides bandpass filters with center frequencies at 63Hz, 160Hz, 400Hz, 1kHz, 2.5kHz, 6.3kHz, and 16kHz. These frequencies are standards in the consumer audio industry. The peak detector outputs referenced to 0V are multiplexed into an A/D converter.

The digital interface allows the system microprocessor to control the multiplexer and the A/D externally. All digital I/O (including A/D output) goes through a serial port. All digital inputs are TTL compatible, and all digital outputs swing from GND to V<sub>DD</sub>.

The XR-1097 contains a continuous time anti-aliasing filter with a corner frequency of 80kHz. This prevents most signals from affecting the performance of the filters.

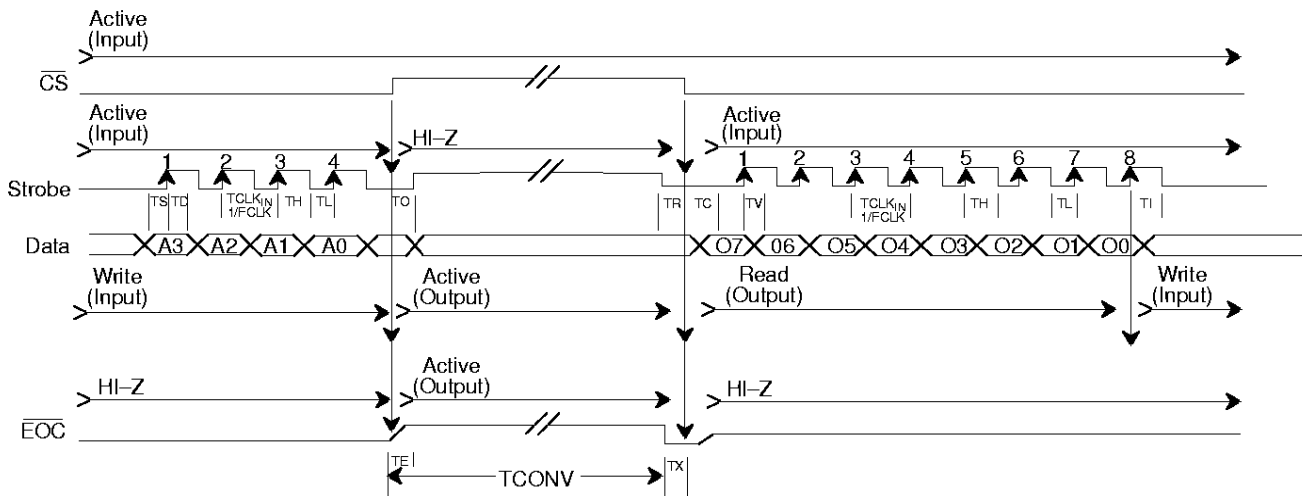


Figure 2. Microprocessor Interface Timing Diagram

Symbol	Parameter	Min.	Max.	Units
FCLK	STROBE Frequency <sup>1</sup>		2.5	MHz
TH	STROBE High Pulse Width	160		ns
TL	STROBE Low Pulse Width	160		ns
TS	DATA Set-Up Time	100		ns
TD	DATA Hold Time	100		ns
TO	STROBE Hold Time <sup>2</sup>	100		ns
TE	EOC Delay Time <sup>3</sup>	100		ns
TCONV	A/D Conversion Time <sup>4</sup>	400	440	μs
TR	STROBE Set-Up Time <sup>5</sup>	100		ns
TK	EOC to CSB	100		ns
TC	CSB to Q7	150		ns
TV	STROBE to Q6-Q0	150		ns
TI	STROBE to DATA Write Mode <sup>6</sup>	150		ns

**Table 1. Timing Characteristics**

**Notes**

<sup>1</sup> TCLK=400ns. minimum.

<sup>2</sup> STROBE needs to be held low for TO after CSB goes high. After TO, STROBE becomes hi-z and DATA becomes an output port.

<sup>3</sup> After TE, EOC becomes a logical high.

<sup>4</sup> After TCONV, EOC goes low, signaling the end of conversion.

<sup>5</sup> STROBE needs to be held low for TR before CSB goes low.

<sup>6</sup> After TI, DATA goes back to an input port.

A3	A2	A1	A0	SELECTION
0	0	0	0	63Hz
0	0	0	1	160Hz
0	0	1	0	400Hz
0	0	1	1	1kHz
0	1	0	0	2.5kHz
0	1	0	1	6.3kHz
0	1	1	0	16kHz
0	1	1	1	PEAK
1	0	0	0	AUX1
1	0	0	1	AUX2
1	0	1	0	NONE
1	0	1	1	NONE
1	1	0	0	NONE
1	1	0	1	NONE
1	1	1	0	NONE
1	1	1	1	NONE

Table 2. Multiplexer Selection

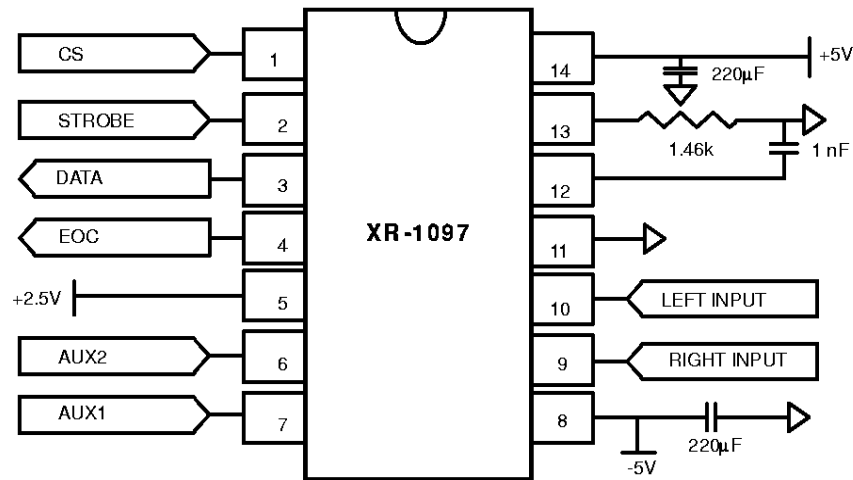
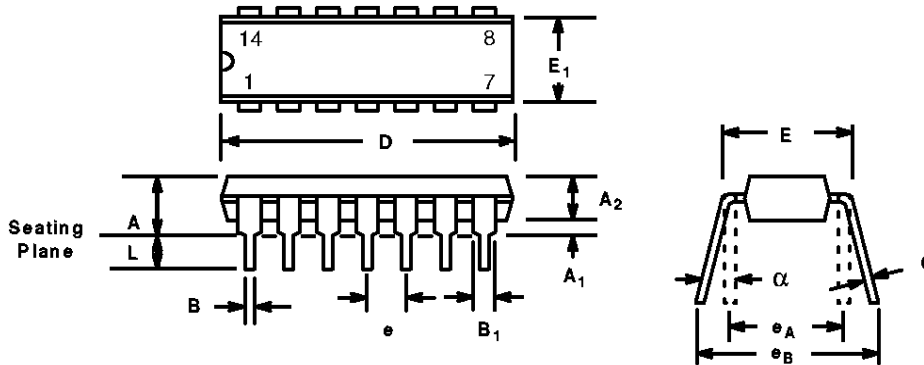


Figure 3. Typical Application Schematic

## 14 LEAD PLASTIC DUAL-IN-LINE (300 MIL PDIP)

Rev. 1.00



SYMBOL	INCHES		MILLIMETERS	
	MIN	MAX	MIN	MAX
A	0.145	0.210	3.68	5.33
A <sub>1</sub>	0.015	0.070	0.38	1.78
A <sub>2</sub>	0.115	0.195	2.92	4.95
B	0.014	0.024	0.36	0.56
B <sub>1</sub>	0.030	0.070	0.76	1.78
C	0.008	0.014	0.20	0.38
D	0.725	0.795	18.42	20.19
E	0.300	0.325	7.62	8.26
E <sub>1</sub>	0.240	0.280	6.10	7.11
e	0.100 BSC		2.54 BSC	
e <sub>A</sub>	0.300 BSC		7.62 BSC	
e <sub>B</sub>	0.310	0.430	7.87	10.92
L	0.115	0.160	2.92	4.06
α	0°	15°	0°	15°

Note: The control dimension is the inch column

# Notes

# Notes

# Notes

## NOTICE

EXAR Corporation reserves the right to make changes to the products contained in this publication in order to improve design, performance or reliability. EXAR Corporation assumes no responsibility for the use of any circuits described herein, conveys no license under any patent or other right, and makes no representation that the circuits are free of patent infringement. Charts and schedules contained here in are only for illustration purposes and may vary depending upon a user's specific application. While the information in this publication has been carefully checked; no responsibility, however, is assumed for inaccuracies.

EXAR Corporation does not recommend the use of any of its products in life support applications where the failure or malfunction of the product can reasonably be expected to cause failure of the life support system or to significantly affect its safety or effectiveness. Products are not authorized for use in such applications unless EXAR Corporation receives, in writing, assurances to its satisfaction that: (a) the risk of injury or damage has been minimized; (b) the user assumes all such risks; (c) potential liability of EXAR Corporation is adequately protected under the circumstances.

Copyright 1992 EXAR Corporation

Datasheet September 1996

Reproduction, in part or whole, without the prior written consent of EXAR Corporation is prohibited.