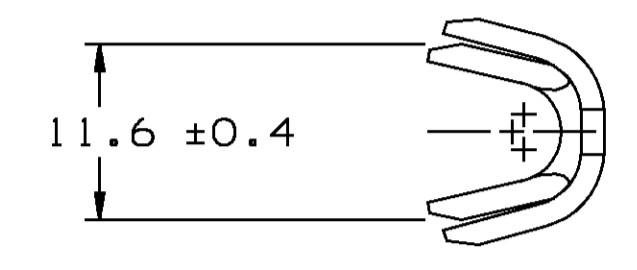
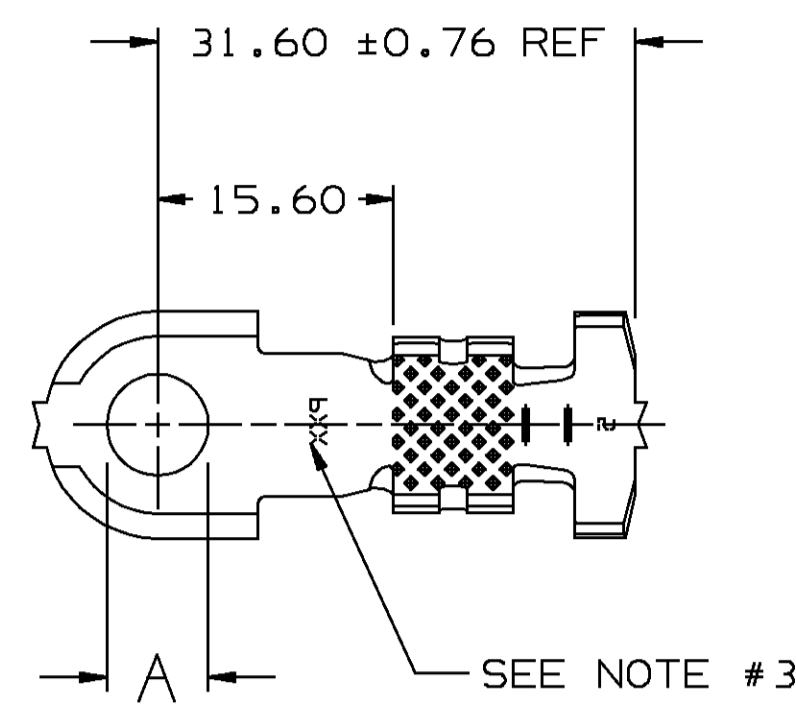


DO NOT SCALE

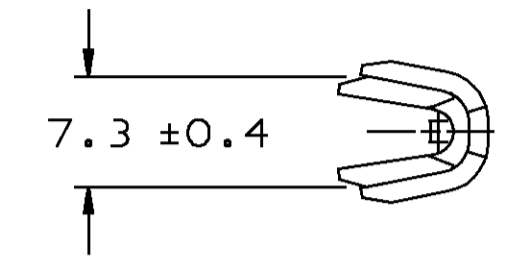
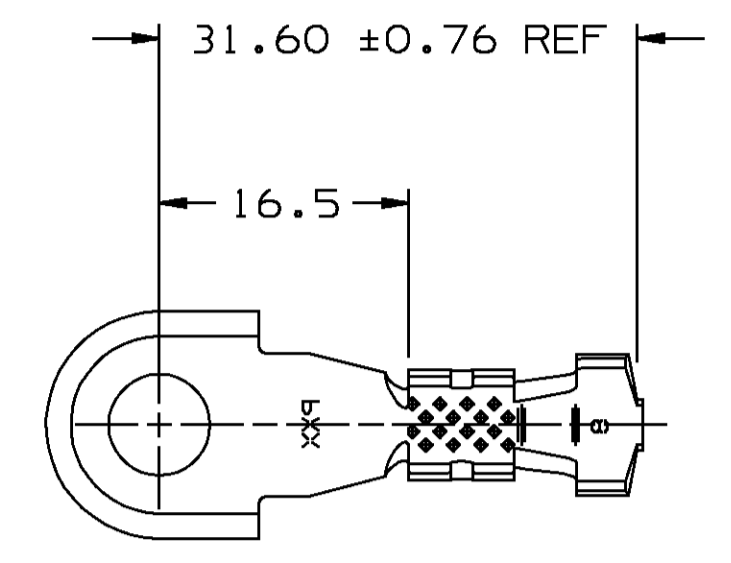
D

PART NO  
1214 6367

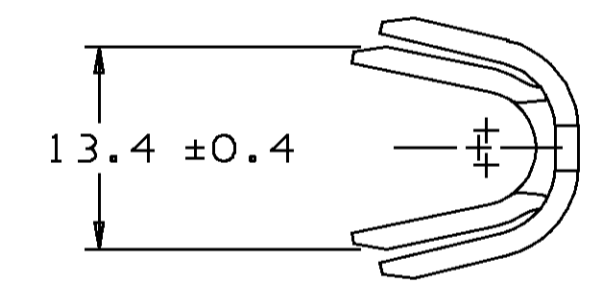
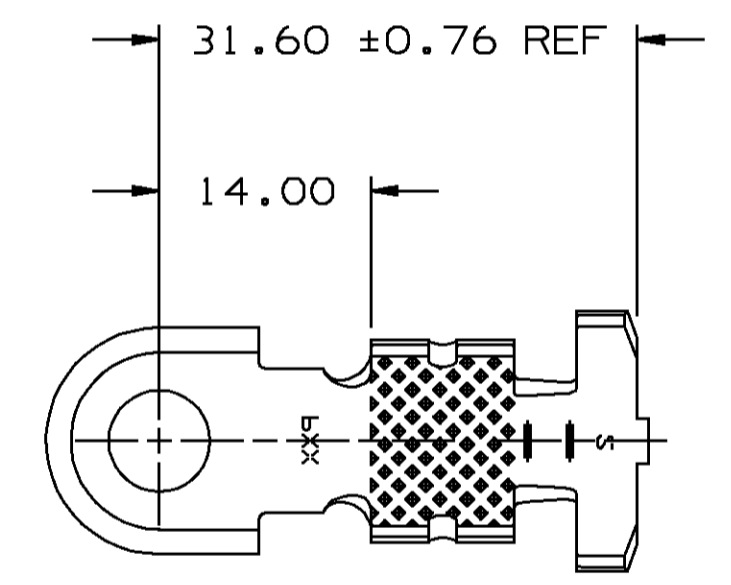
DATE	SYM	REVISION RECORD	AUTH	DR	CK
110C95		12191446 & 12191457			
		RELEASED TO REV "A"	950005	AMVAUG	
12MY97		ALL PARTS - REVISED			
		-NO REV UPDATED REQ'D	180215	JHVFKV	
20FE98		ALL PARTS - REVISED MAT'L			
		SPEC - NO REV UPDATE REQ'D	185759	CRWRMM	



TYPE 201  
(13/19MM<sup>2</sup>)



TYPE 211  
SAME AS TYPE 201  
EXCEPT AS SHOWN  
(8 MM<sup>2</sup>)



TYPE 221  
SAME AS TYPE 201  
EXCEPT AS SHOWN  
(32 MM<sup>2</sup>)

8.50±0.13	5/16	M8
6.70±0.13	1/4	M6
A DIA.	STANDARD	METRIC
	SCREW/STUD SIZE	

PART NO  
1214 6367

NOTES:

- UNLESS OTHERWISE SPECIFIED AND/OR INDICATED: DIMENSIONS ARE TO FACE OF VIEW SHOWN AND AUTOMATICALLY ROUNDED BY COMPUTER FOR INSPECTION. (SEE MATH MODEL FOR PRECISE DIMENSION) FOR ALL OTHER DIMENSIONS NOT SHOWN BUT REQUIRED FOR TOOL BUILD, SEE MATH MODEL FOR PRECISE TOOL PATH DATA.
- FOR SOLDERABILITY REQUIREMENTS, SEE ESO-1503
- FOR ALTERNATIVE CABLE APPLICATIONS, SEE ESA-605
- "P.X.X." INDICATES "P" PLUS LAST TWO DIGITS OF MAKE DIE SERIES NUMBER. (P01,P02 & ETC.)

PART NO	REV	STATUS	SPEC	PART NO	REV	STATUS	SPEC	SIZE	CABLE	TYPE	SCREW / STUD SIZE (A DIA)
12191457	A		PM001598-487 210 CDA SN PLTD					1.30 X 21.00	8	211	X
12191446	A		PM001598-168 210 GILDING EX SPR SN PLTD					1.52 X 28.57	13/19	201	X
											1/4 5/16
											(A DIA)
			UNPLATED				PLATED				
							FLAT				

DRAWING TYPE PID	OTHER DRAWINGS AVAILABLE DETAIL/CPAD
<b>UtiGraphics II</b>	<b>METRIC</b> DIMENSIONS ARE IN MILLIMETERS UNLESS OTHERWISE SPECIFIED
THIRD ANGLE PROJECTION	TOLERANCE UNLESS OTHERWISE SPECIFIED: DECIMAL: ANGULAR ± 2° ONE PLACE ± 0.3 TWO PLACE ± 0.15
CODE NO 6900	QC DES ALBERTO VITE 110C95
DWG DATE 15JA93	DR ALBERTO VITE 110C95
SCALE 2:1	CK A UGALDE 0 120C95
REFERENCE NO	APPR ROBERT STANG 04JA96
MATERIAL SPEC	VOL CM <sup>3</sup>
SEE CHART	
NAME TAXI TERM BATT STROHT RING	
PART NUMBER 1214 6367	SIZE A1
SHEET 2	

DELPHI PACKARD ELECTRIC SYSTEMS  
WARREN, OHIO 44466