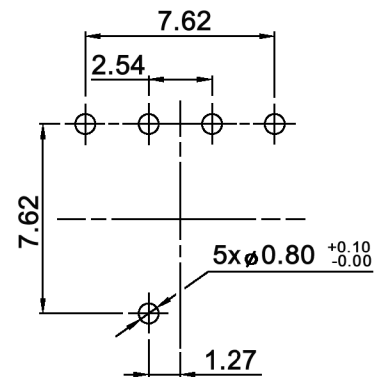


P.C.B. LAYOUT



TYPE	CIRCUIT CHARACTERISTIC															
	CODE	POSITION														
		0	1	2	3	4	5	6	7	8	9	A	B	C	D	E
DRS 4116	1	●		●		●		●		●		●		●		●
	2	●	●			●	●			●	●			●	●	
	4	●	●	●	●					●	●	●	●			
	8	●	●	●	●	●	●	●	●							

Compliance: RohS II (2011/65/EU)

Tolerances: ±0.20mm max.		Date	Name	<h1>DRS 4116</h1>
		01/08	dr	
Delivery position	11/11	dr		
Dimensions	04/09	dr		
Dimensions	02/09	dr		
RoHS	07/08	dr		
Dimensions	06/08	dr	knitter-switch	<h1>30 13 25</h1>
Operating temperature	04/08	dr		
Modifications	Date	Name		1/2

Specifications:

Contact rating: non-switching: 100mA, 50V DC
switching: 30mA, 15V DC

Contact resistance: 100mOhm max.

Insulation resistance: 1 000MOhm min. at 250V DC

Dielectric strength: 250V AC for 1 minute

Operating temperature: -40°C to +85°C

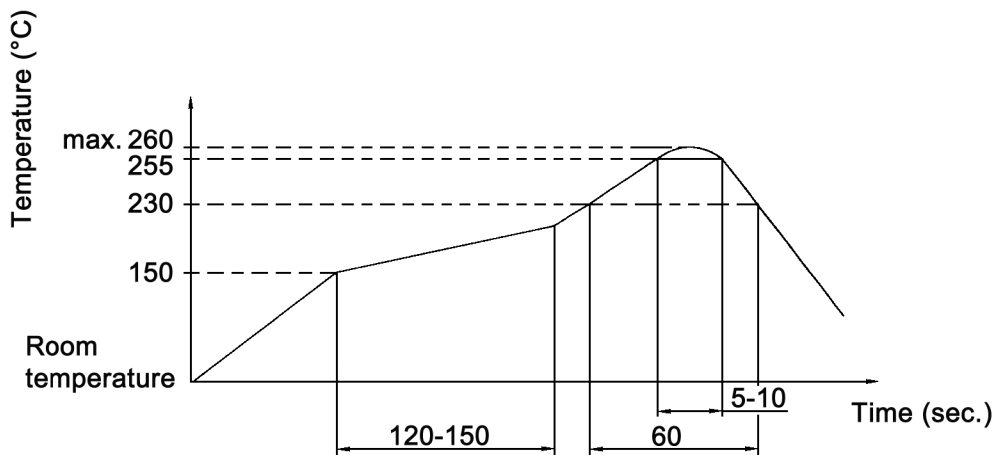
Mechanical life: 20 000 cycles min.

Operating force: 250 gf.cm max.

Material: Base / cover: high-temp. thermoplastic nylon UL94V-0,
molded black
Movable contact: alloy copper, gold plated
Actuator: high-temp. thermoplastic nylon UL94V-0,
color: red
O-ring: silicone
Spring: stainless steel
Terminal: brass, gold plated

RoHS compliant and free from DecaBDE

Soldering conditions: wave soldering: 260°C, 5sec. max.
through hole reflow: 260 +/-5°C, 4-6sec.



Compliance: RohS II (2011/65/EU)

Tolerances: ±0.20mm max.	Date	Name	<h1>DRS 4116</h1>
	12/07	dr	
			<h2>30 13 25</h2>
			Page
			2/2
Modifications	Date	Name	

knitter-switch

Page

2/2