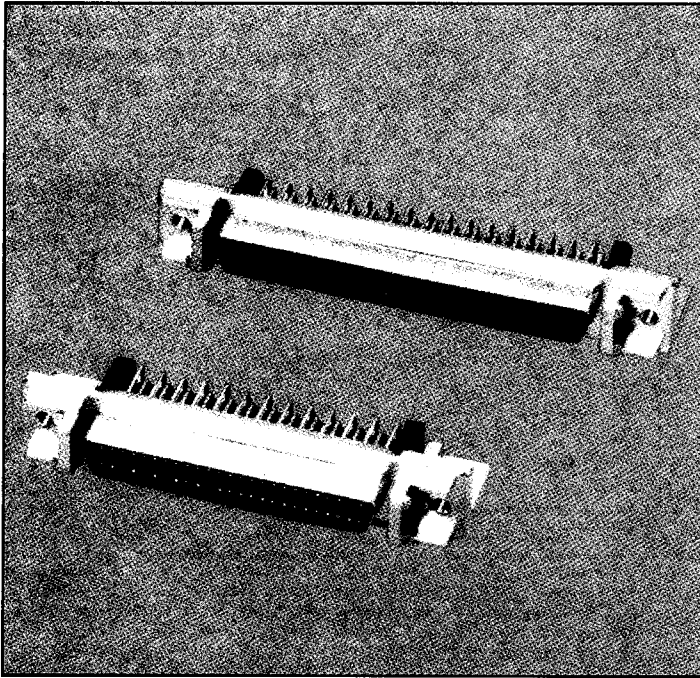


**AMPHENOL SCSI CONNECTOR
BOARD MOUNT RECEPTACLE**

257 SERIES



Amphenol's 257 series is a high-density connector system which meets ANSI requirements for SCSI (small computer system interface), and is suitable for a variety of input/output applications. The low profile design allows the connector to be used in applications where space is at a premium.

SCSI standards allow 8,16 and 32 bit parallel data transfers up to 40 megabytes per second, in applications used to connect computers in a daisy chain with peripheral devices such as printers, plotters, disk drives or CD-ROM drives.

The contacts are a fork and blade type spaced at .050". The right-angle PCB mount receptacle, available in 50 and 68 positions, has a metal "D" shell for polarization and EMI/RFI shielding.

Four mounting options are available. For descriptions, see ordering information below.

SPECIFICATIONS:

Contacts:
Phosphor bronze

Contact Plating:
Mating area: 30 μ" gold
Termination ends: 100 - 200 μ" tin-lead
Underplate: 50 - 100 μ" nickel

Front Shell:
Steel, plated with 100 μ" (min.) tin

Metal Housing:
Zinc alloy with nickel plating

Insulator:
Black thermoplastic, UL 94 VO

Current Rating:
1 amp per contact

Insulation Resistance:
≥ 1000 M ohms

Dielectric Withstanding voltage:
500 VAC (min.) at sea level

Contact Resistance:
25 milliohms (max.)

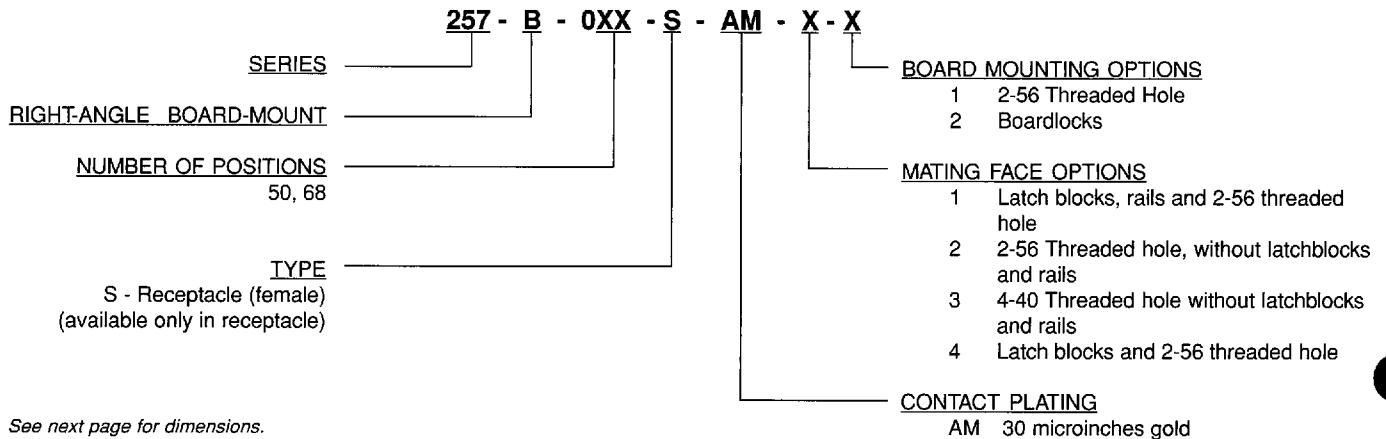
Contact Insertion Force:
125 grams (max.) per contact

Contact Withdrawal Force:
20 grams (min.) per contact

Operating Temperature:
-55°C to +125°C

ORDERING INFORMATION:

**257 Series Half Pitch "D" Connector
Board Mount Receptacle**

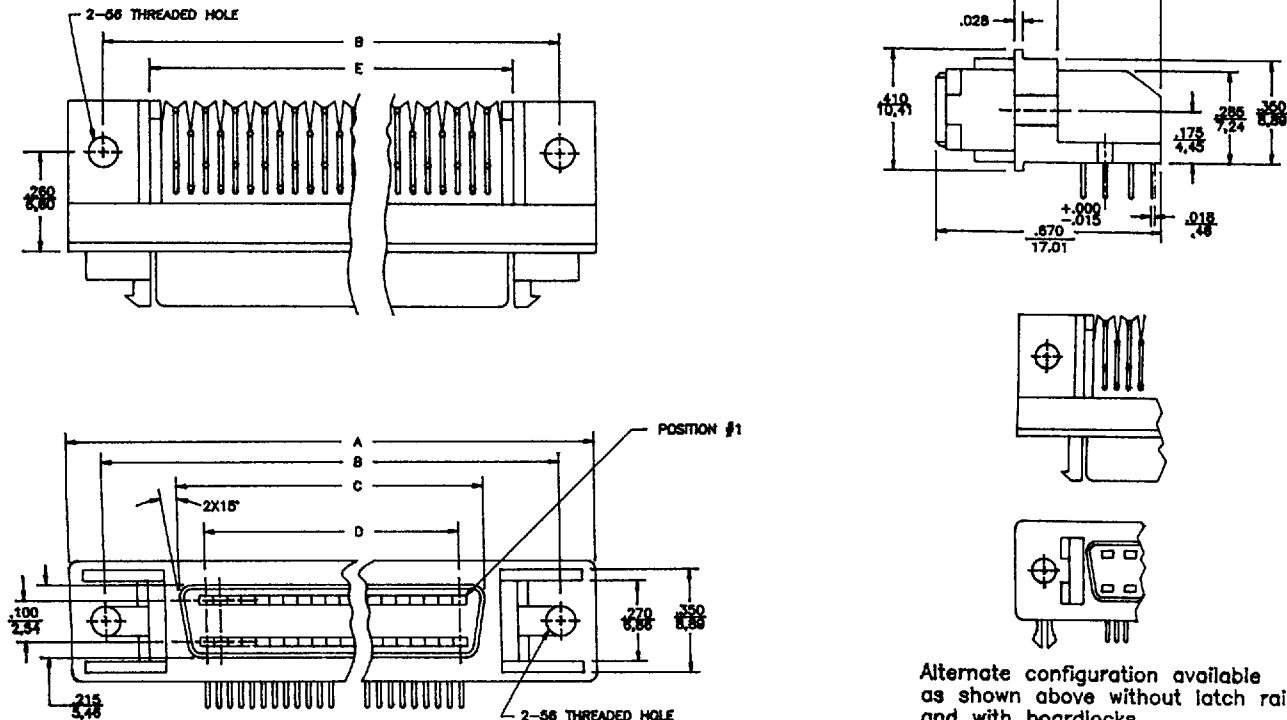


See next page for dimensions.

**AMPHENOL SCSI CONNECTOR
BOARD MOUNT RECEPTACLE**

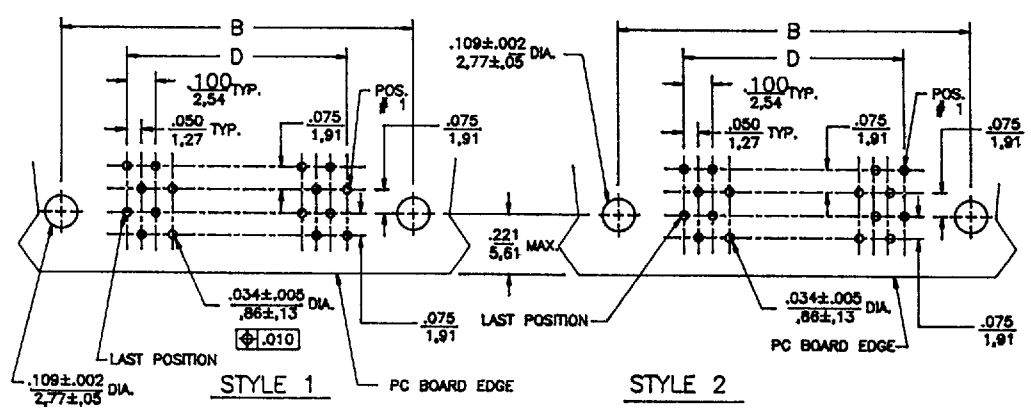
257 SERIES

DIMENSIONS:



Alternate configuration available as shown above without latch rails and with boardlocks
 Part No.'s
 257-B050S-AM42
 257-B068S-AM42

Board Layout Pattern



Part Number	No. of Positions	A	B	C	D	E	Layout Style
257-B050S-AMXX	50	2.065 (52.45)	1.830 (46.48)	1.366 (34.70)	1.200 (30.48)	1.430 (36.30)	2
257-B068S-AMXX	68	2.515 (63.88)	2.280 (57.91)	1.816 (46.13)	1.650 (41.91)	1.880 (47.73)	1

Dimensions in inches (mm)