

MATERIALS AND FINISHES

BODY, COUPLING NUT, REAR BUSHINGS, CLAMP: BRASS
PLATED NICKEL

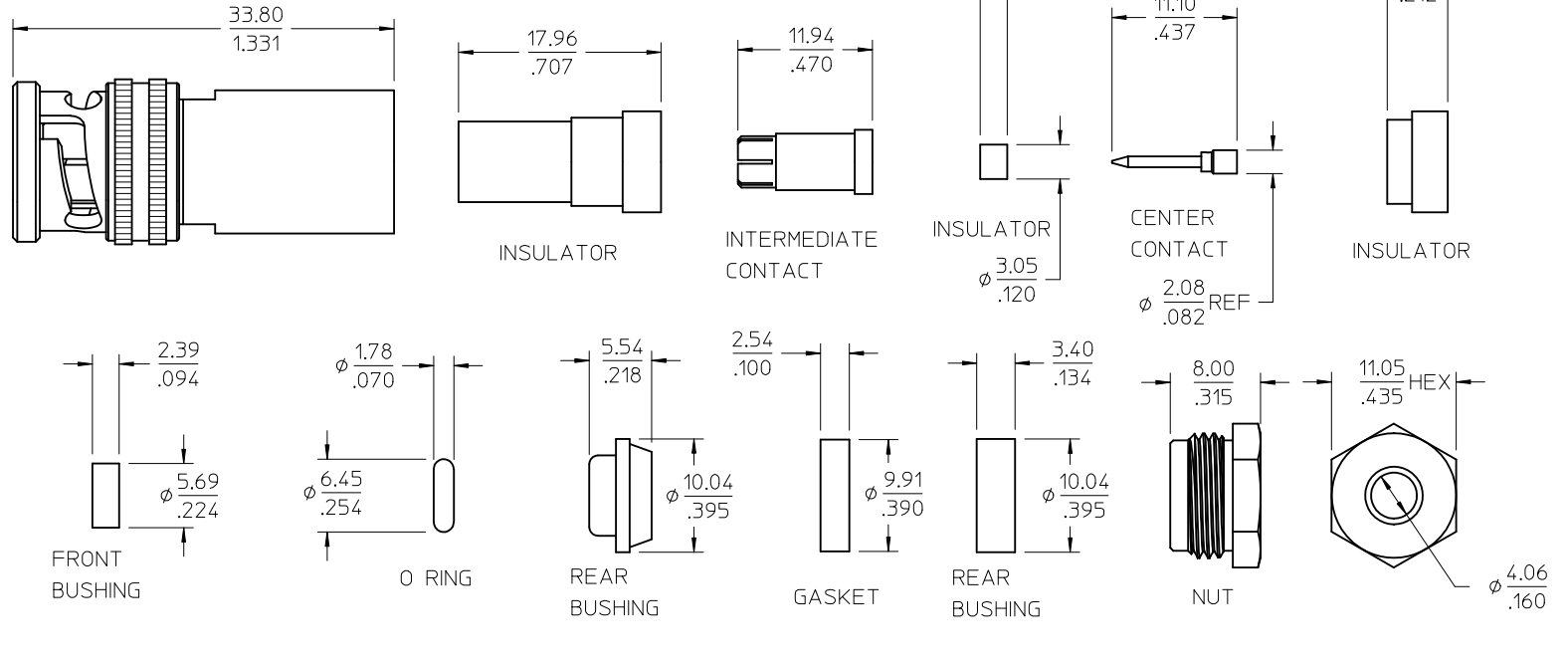
CENTER AND INTERMEDIATE CONTACT, FRONT BUSHING: BRASS
PLATED GOLD

INSULATORS: TEFLON

GASKET, O RING: SILICONE RUBBER

TRIAx PLUG
HIGH VOLTAGE
INTERFACE

TRIAx CABLE



AS-89678-3900	CABLE ASSY INSTRUCTION
SPECIFICATION	DESCRIPTION

73415-1711	73415-1710, ONE PER BAG
73415-1710	BULK
PART NO.	PACKAGING

CHG: REMOVE REF FROM DIMENSIONS ADD CLAMP AND FRONT BUSHING TO MATERIALS LIST
 EC NO: URF2010-0549
 DRWING: JWIENER 2010/04/01
 CHKD: SSS 2010/04/01
 APPR: JWIENER 2010/04/08

QUALITY SYMBOLS
 ▼=0
 ▽=0

GENERAL TOLERANCES (UNLESS SPECIFIED)

	mm	INCH
4 PLACES	± .005	± .0005
3 PLACES	± .005	± .0005
2 PLACES	± .005	± .0005
1 PLACE	± .005	± .0005

ANGULAR ± 2 °

DRAFT WHERE APPLICABLE MUST REMAIN WITHIN DIMENSIONS

DIMENSION STYLE MM/IN

DRAWN BY	DATE
TEF	2007/03/23
CHECKED BY	DATE
SSS	2007/03/23
APPROVED BY	DATE
JWIENER	2010/04/08

MATERIAL NO. SEE TABLE

SCALE DESIGN UNITS METRIC

THIRD ANGLE PROJECTION

TITLE TRIAX PLUG, HV, 3 SLOT TRIAX CABLE TRIAX-PC

MOLEX INCORPORATED

DOCUMENT NO. SD-73415-171

SHEET NO. 1 OF 1

THIS DRAWING CONTAINS INFORMATION THAT IS PROPRIETARY TO MOLEX INCORPORATED AND SHOULD NOT BE USED WITHOUT WRITTEN PERMISSION