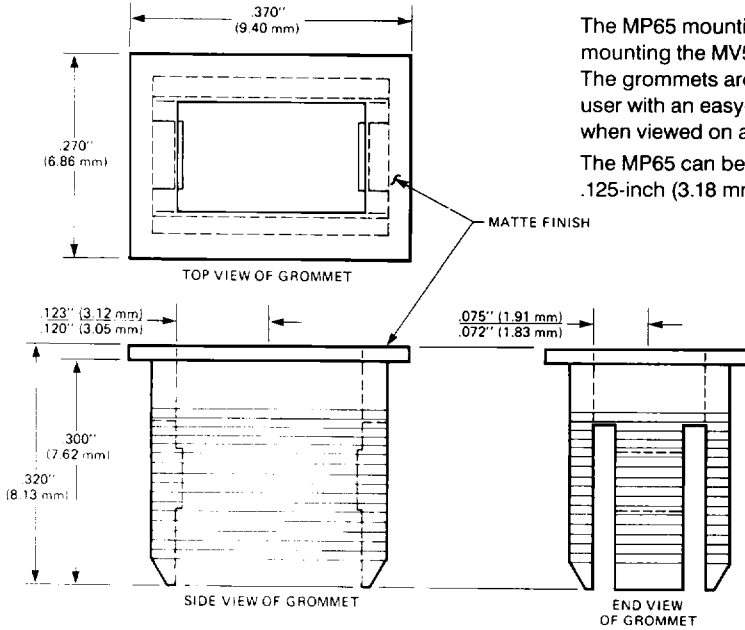


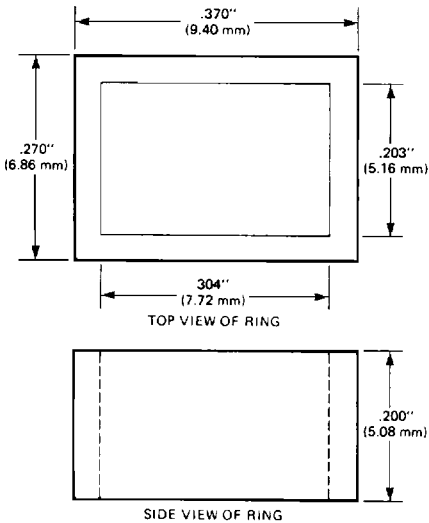
PACKAGE DIMENSIONS



DESCRIPTION

The MP65 mounting grommet is intended for panel mounting the MV5X124 Series of rectangular lamps. The grommets are made of Black plastic and provide the user with an easy-to-mount, professional appearance when viewed on a front panel.

The MP65 can be used on any panel thickness up to .125-inch (3.18 mm).



MATERIAL: POLYPROPYLENE BLACK

PANEL HOLE PUNCHING

Punches can be ordered from one of the following sources:

W.A. WHITNEY COMPANY
 650 Race Street
 Rockford, IL 61105
 (815) 964-6771
 (Request a 28xx series punch with dimensions of 5/16" x 7/32")

ROTEX PUNCH COMPANY, INC.
 2350 Alvarado Street
 San Leandro, CA 94577
 (415) 357-3600
 (Request a 3506 series punch with dimensions of 5/16" x 7/32")