



Raychem

TE Internal #: 6745893001

Hook Up Wire, FlexLite, 600V Voltage Rating, White Wire Color, 22AWG Wire Size, .35mm<sup>2</sup> Wire Size, Operating Temperature Range -65 – 150 °C

[View on TE.com >](#)

Wire & Cable > Hook Up Wire



Cable Type: **FlexLite**

Voltage Rating: **600 V**

Wire Color: **White**

Insulation Material: **Radiation-Crosslinked, Modified Polyalkene**

Conductor Material: **Tin-Plated Copper**

## Features

### Product Type Features

Product Type	Wire
Product Classification	Wire - Commercial
Cable Style	Primary, Stranded
Cable Type	FlexLite

### Configuration Features

Number of Conductors	1
Number of Strands	19

### Electrical Characteristics

Resistance (Max)	56.1 Ω/1000 ft @ 68°F
Voltage Rating	600 V

### Body Features

Weight	4.14 kg/km
Wire Color	White
Insulation Material	Radiation-Crosslinked, Modified Polyalkene
Conductor Material	Tin-Plated Copper

### Dimensions

Conductor Size	.35 mm <sup>2</sup>
----------------	---------------------



Wire Diameter	1.016 mm[.04 in]
Conductor Diameter Range	.7 – .8 mm[.027 – .031 in]
Overall Outside Diameter	1.21 mm[.0477 in]
Overall Outside Diameter Range	1.06 – 1.21 mm[.042 – .048 in]
Conductor Diameter	.75 mm[.03 in]
Strand Size	34 AWG
Wire Size	.35 mm <sup>2</sup>

**Usage Conditions**

Operating Temperature Range	-65 – 150 °C
-----------------------------	--------------

**Product Compliance**

[For compliance documentation, visit the product page on TE.com>](#)

EU RoHS Directive 2011/65/EU	Compliant
EU ELV Directive 2000/53/EC	Compliant
China RoHS 2 Directive MIIT Order No 32, 2016	No Restricted Materials Above Threshold
EU REACH Regulation (EC) No. 1907/2006	Current ECHA Candidate List: JUN 2020 (209) Candidate List Declared Against: JUN 2020 (209) Does not contain REACH SVHC
Halogen Content	Out of Scope - excluded from Halogen requirements
Solder Process Capability	Not applicable for solder process capability

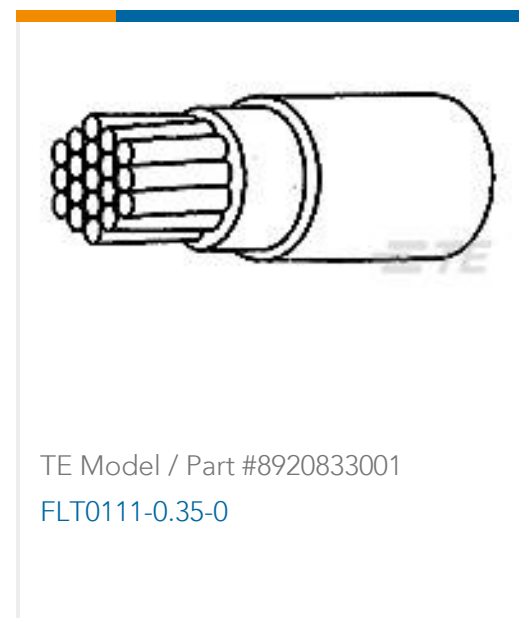
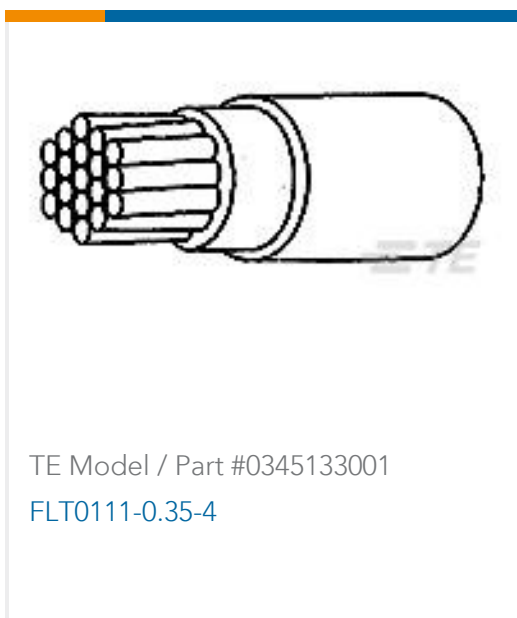
**Product Compliance Disclaimer**

This information is provided based on reasonable inquiry of our suppliers and represents our current actual knowledge based on the information they provided. This information is subject to change. The part numbers that TE has identified as EU RoHS compliant have a maximum concentration of 0.1% by weight in homogenous materials for lead, hexavalent chromium, mercury, PBB, PBDE, DBP, BBP, DEHP, DIBP, and 0.01% for cadmium, or qualify for an exemption to these limits as defined in the Annexes of Directive 2011/65/EU (RoHS2). Finished electrical and electronic equipment products will be CE marked as required by Directive 2011/65/EU. Components may not be CE marked. Additionally, the part numbers that TE has identified as EU ELV compliant have a maximum concentration of 0.1% by weight in homogenous materials for lead, hexavalent chromium, and mercury, and 0.01% for cadmium, or qualify for an exemption to these limits as defined in the Annexes of Directive 2000/53/EC (ELV). Regarding the REACH Regulation, the information TE provides on SVHC in articles for this part number is based on the latest European Chemicals Agency (ECHA) 'Guidance on requirements for substances in articles' posted at this URL: <https://echa.europa.eu/guidance-documents/guidance-on-reach>

**Compatible Parts**



## Customers Also Bought



## Documents

### Product Drawings

[FLT0111-0.35-9](#)

English

### Datasheets & Catalog Pages

[1654025\\_Sec9\\_FlexLite](#)

English

[Wire and Cable Overview](#)

English

FLT0111-0.35-9

Hook Up Wire, FlexLite, 600V Voltage Rating, White Wire Color, 22AWG Wire Size, .35mm<sup>2</sup> Wire Size, Operating Temperature Range -65 – 150 °C

