

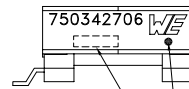
| | | |
|-------------------|------|---------------|
| CUSTOMER TERMINAL | RoHS | LEAD(Pb)-FREE |
| Sn96%, Ag4% | Yes | Yes |

more than you expect



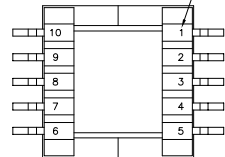
ELECTRICAL SPECIFICATIONS @ 25°C unless otherwise noted:

| PARAMETER | TEST CONDITIONS | VALUE |
|--------------------|---|-----------------|
| D.C. RESISTANCE | 2-3 @20°C | 2.000 ohms max. |
| D.C. RESISTANCE | 4-5 @20°C | 2.000 ohms max. |
| D.C. RESISTANCE | 9-8 @20°C | 0.220 ohms max. |
| D.C. RESISTANCE | 7-6 @20°C | 0.220 ohms max. |
| D.C. RESISTANCE | 1-10 @20°C | 0.065 ohms max. |
| INDUCTANCE | 1-10 50kHz, 100mVAC, Ls | 47.0uH ±10% |
| SATURATION CURRENT | 1-10 20% rolloff from initial | 1.68A |
| LEAKAGE INDUCTANCE | 1-10 tie(2 thru 9), 100kHz, 100mVAC, Ls | 450nH max. |
| DIELECTRIC | 1-2 tie(3+4+7+8), 1250VAC, 1 second | - |
| DIELECTRIC | 2-Core tie(3+4+7+8), 625VAC, 1 second | - |
| TURNS RATIO | (2-3):(4-5) | 1:1, ±2% |
| TURNS RATIO | (2-3):(7-6) | 2.94:1, ±2% |
| TURNS RATIO | (2-3):(9-8) | 2.94:1, ±2% |
| TURNS RATIO | (2-3):(1-10) | 2.04:1, ±2% |

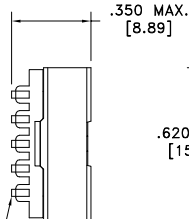


6B DOT LOCATES TERM. #1
LOT CODE & DATE CODE
ALTERNATE MARKING DETAIL

TERM. NO.'s FOR REF. ONLY

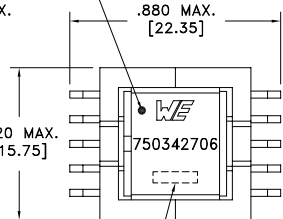


.016 X .028(10)
[.41 X .71]



.350 MAX.
[8.89]

LOT CODE & DATE CODE



.880 MAX.
[22.35]

.620 MAX.
[15.75]

.779 [19.79]

.069(10) [1.75]

.034(10) [86]

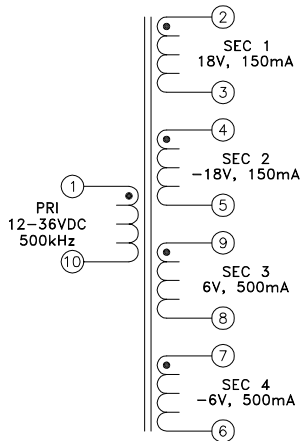
.098(8) [2.50]

.046 REF.(10) [1.17]

.103 REF.(10) [2.62]

AREA REPRESENTS TERMINAL PAD DIMENSIONS

REFERENCE LAND SIZE
CUSTOMER TO DETERMINE LAND LAYOUT



Wire insulation & RoHS status not affected by wire color.
Wire insulation color may vary depending on availability.

GENERAL SPECIFICATIONS:

OPERATING TEMPERATURE RANGE: -40°C to +125°C including temp rise.

Designed to comply with the following requirements as defined by IEC60950-1, EN60950-1, UL60950-1/CSA60950-1 and AS/NZS60950.1:

- Functional insulation only.

| | | | | | | |
|------|-------|--|--|--|-------------------------------------|------------------------------|
| REV. | DATE | Packaging Specifications Method: Tape & Reel PKG-0222 www.we-online.com/midcom | | Tolerances unless otherwise specified: Angles: ±1° Fractions: ±1/64 Decimals: ±.005 [.13] Footprint: ±.005 [.13] | DRAWING TITLE TRANSFORMER | PART NO. 750342706 |
| 6C | 1/18 | | | | | |
| 6B | 10/17 | | | | | |
| 6A | 10/15 | SEE REVISION SHEET FOR REVISION LEVEL | | This drawing is dual dimensioned. Dimensions in brackets are in millimeters. | eiSos p/n: 750342706 | SPECIFICATION SHEET 1 OF 1 |

